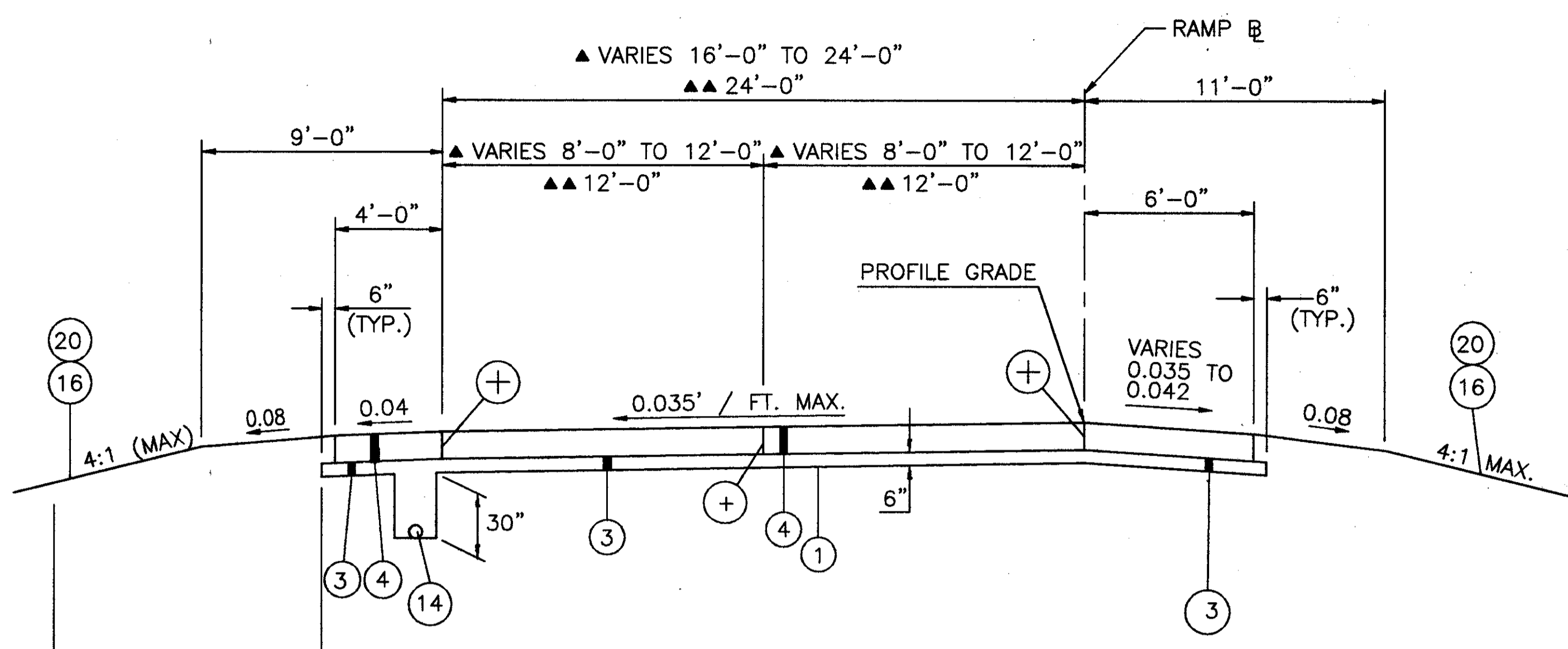


TYPICAL WIDENING FOR EXIT RAMP

STA. 70+00.00 TO STA. 73+18.51 = 318.51 LIN. FT.
 STA. 73+18.51 TO STA. 73+58.51 - SUPERELEVATION TRANSITION = 40.00 LIN. FT. (CURVE RIGHT)
 STA. 73+58.51 TO STA. 78+00.00 - FULL SUPERELEVATION = 441.49 LIN. FT. (CURVE RIGHT)
 800.00 LIN. FT.

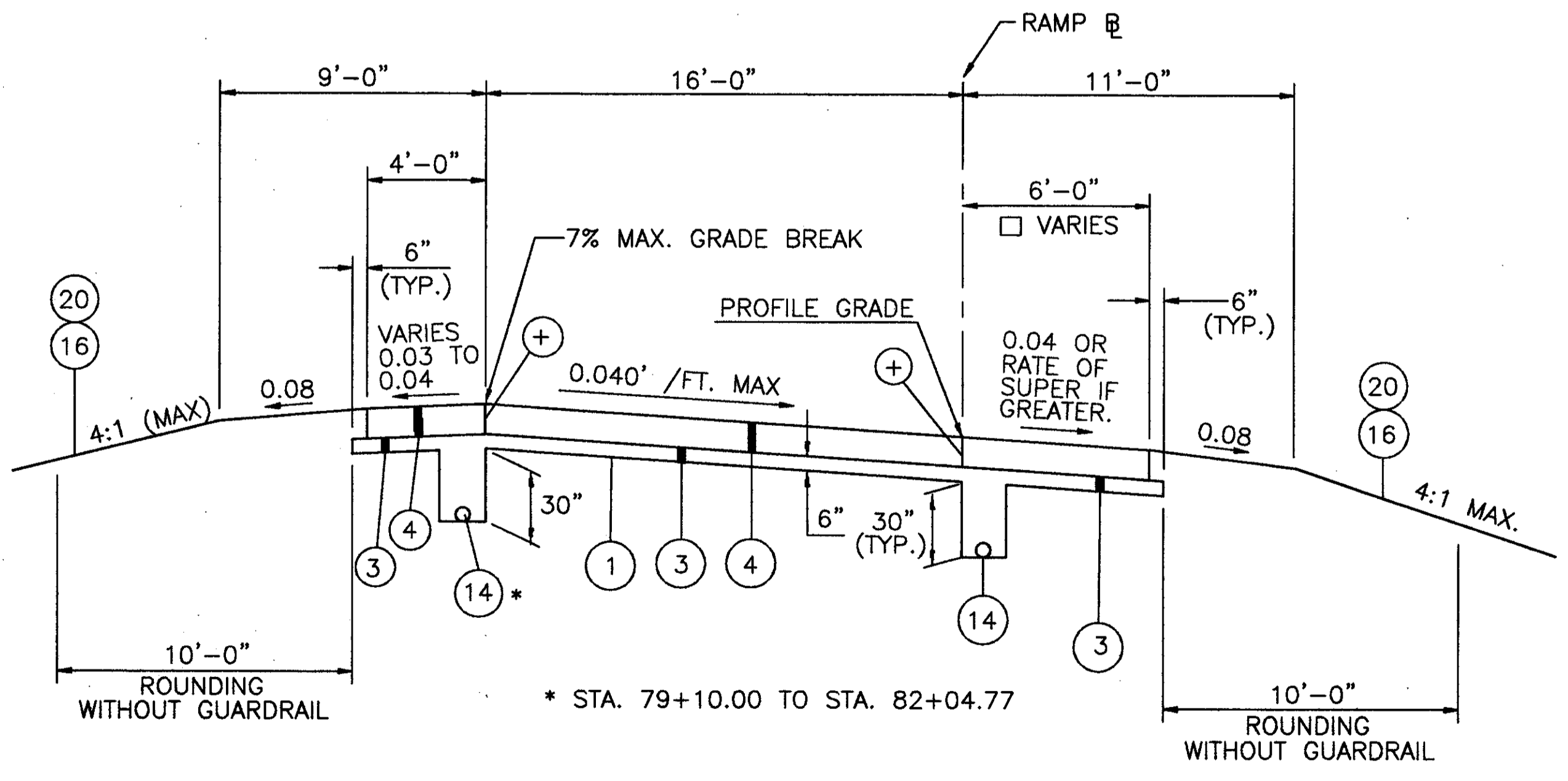
- * VARIES 10'-0" TO 8'-0" STA. 70+00 TO STA. 71+00
- ** STA. 73+46.51 TO STA. 78+00.00
- ∅ VARIES STA. 70+00.00 TO STA. 71+00.00
- ∅ STA. 71+00.00 TO STA. 73+46.51
- ∅ VARIES STA. 73+46.51 TO STA. 78+00.00



TWO LANE RAMP, SUPERELEVATION SECTION

STA. 82+04.77 TO STA. 83+53.23 - SUPERELEVATION TRANSITION = 148.46 LIN. FT. (CURVE LEFT)
 STA. 83+53.23 TO STA. 85+45.06 - FULL SUPERELEVATION = 191.83 LIN. FT. (CURVE LEFT)
 STA. 85+45.06 TO STA. 86+80.06 - SUPERELEVATION TRANSITION = 135.00 LIN. FT. (CURVE LEFT)
 475.29 LIN. FT.

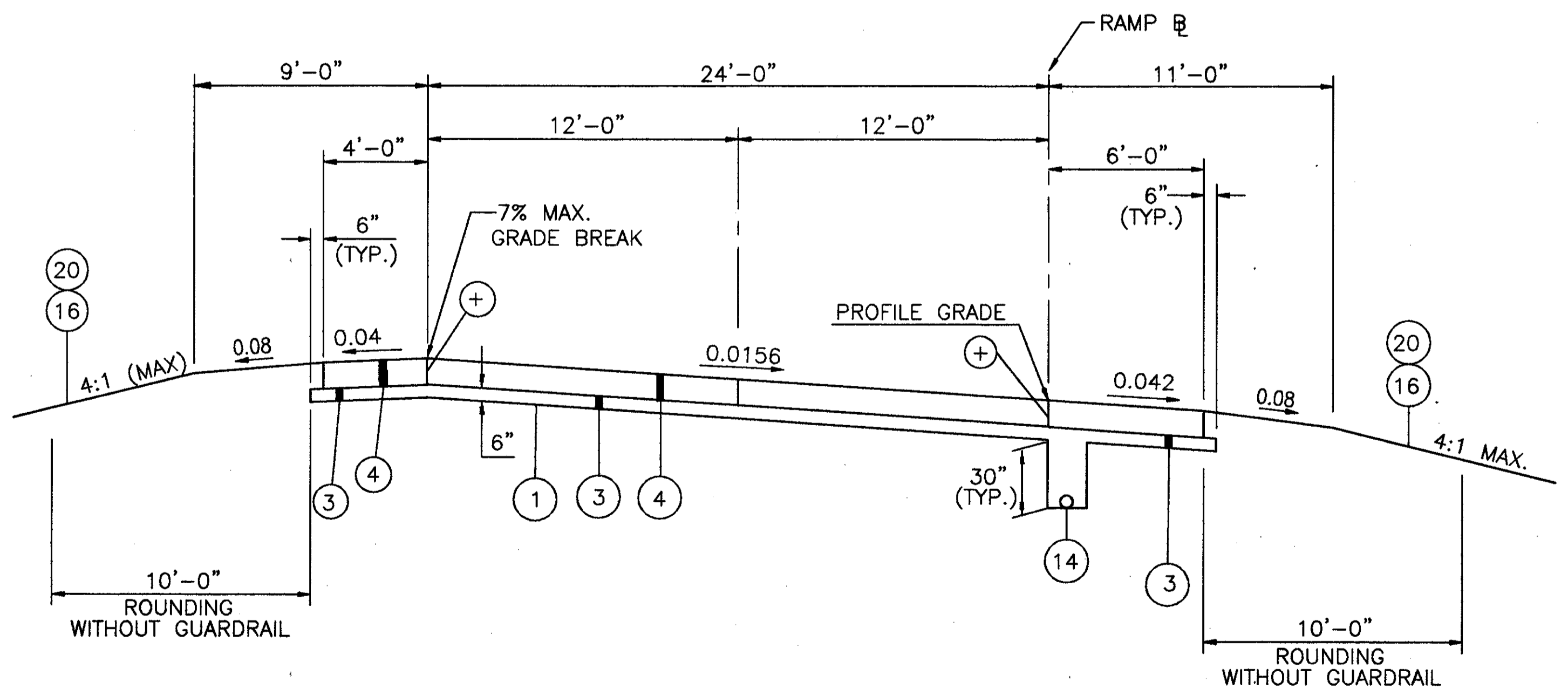
OMIT HIGH SIDE UNDERDRAIN IN FILLS



ONE LANE RAMP, SUPERELEVATED SECTION

STA. 78+00.00 TO STA. 79+00.00 - FULL SUPERELEVATION = 100.00 LIN. FT. (CURVE RIGHT)
 STA. 79+00.00 TO STA. 79+40.00 - SUPERELEVATION TRANSITION = 40.00 LIN. FT. (CURVE RIGHT)
 STA. 79+40.00 TO STA. 80+35.11 - FULL SUPERELEVATION = 95.11 LIN. FT. (CURVE RIGHT)
 STA. 80+35.11 TO STA. 82+04.77 - SUPERELEVATION TRANSITION = 169.66 LIN. FT. (CURVE RIGHT)
 404.77 LIN. FT.

□ VARIES 8'-0" TO 6'-0" STA. 78+00 TO STA. 78+50



TWO LANE RAMP, NORMAL SECTION

STA. 86+80.06 TO STA. 87+40.06 - SUPERELEVATION TRANSITION = 60.00 LIN. FT.
 STA. 87+40.06 TO STA. 88+10.06 - NORMAL = 70.00 LIN. FT.
 STA. 88+10.06 TO STA. 88+85.16 - WARP = 75.10 LIN. FT.
 205.10 LIN. FT.

FOR LEGEND SEE SHEET 6.

H:\CT\97125\SDSK\97125208.DWG - PLOT SCALE 1:4