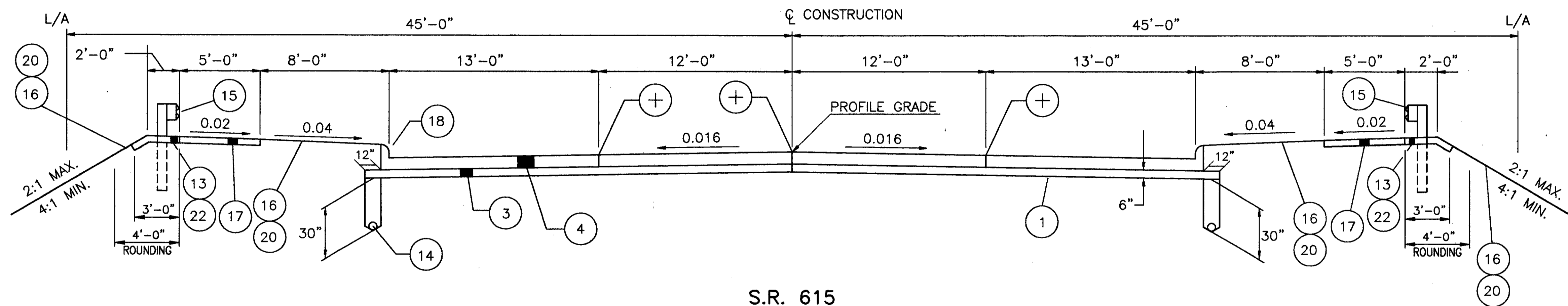
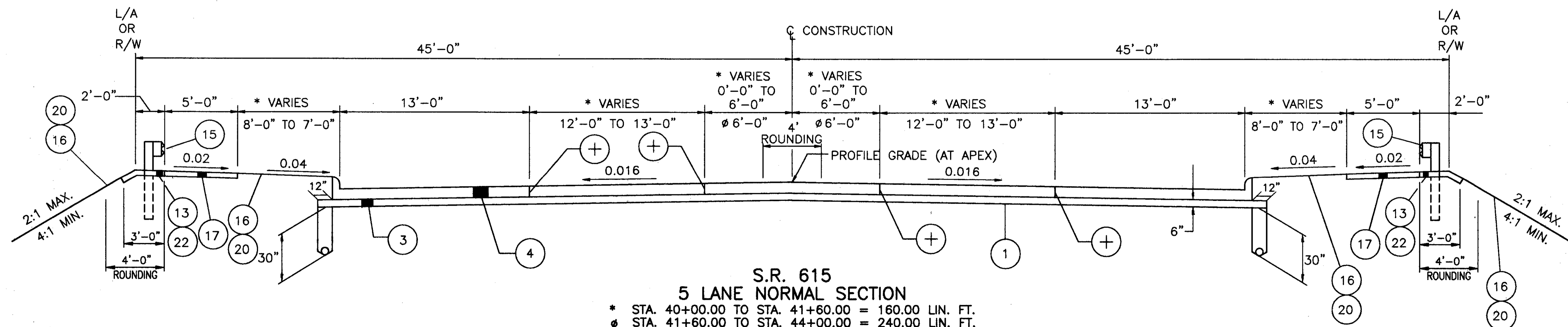


S.R. 615
3 LANE NORMAL SECTION
 STA. 26+97.86 TO STA. 27+78.85 = 80.99 LIN. FT.
 STA. 32+22.29 TO STA. 37+00.00 = 477.71 LIN. FT.
 558.70 LIN. FT.



S.R. 615
4 LANE NORMAL SECTION
 STA. 37+00.00 TO STA. 40+00.00 = 300.00 LIN. FT.



S.R. 615
5 LANE NORMAL SECTION
 * STA. 40+00.00 TO STA. 41+60.00 = 160.00 LIN. FT.
 Ø STA. 41+60.00 TO STA. 44+00.00 = 240.00 LIN. FT.
 400.00 LIN. FT.

H:\CT\97125\SDSK\97125204.DWG - PLOT SCALE 1"=4'

SR 615
 PROPOSED TYPICAL SECTIONS

LAK-IR90/SR615-9.26/1.51

7
 393

FOR LEGEND SEE SHEET 6.