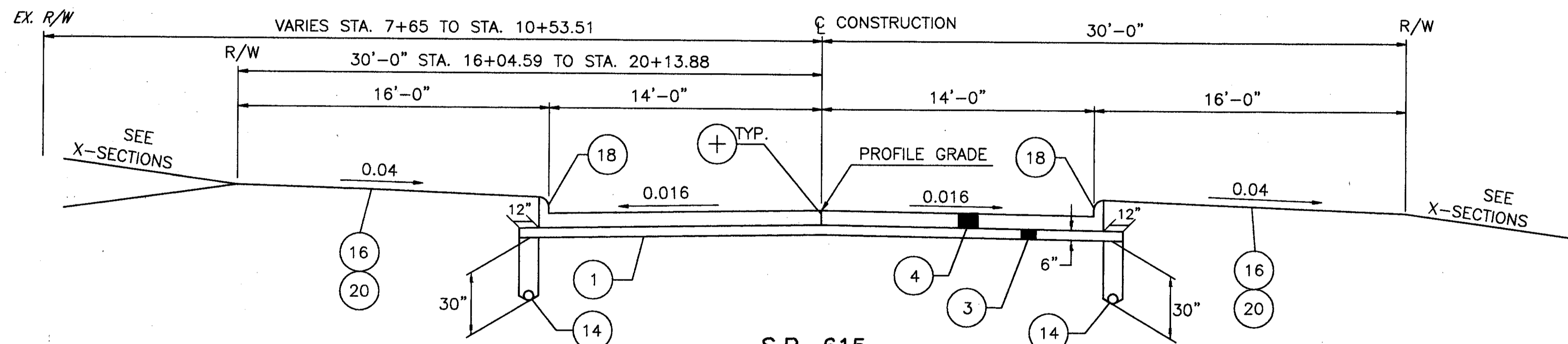


**S.R. 615
2 LANE SUPERELEVATED SECTION**

** SUPERELEVATION DIRECTION REVERSED

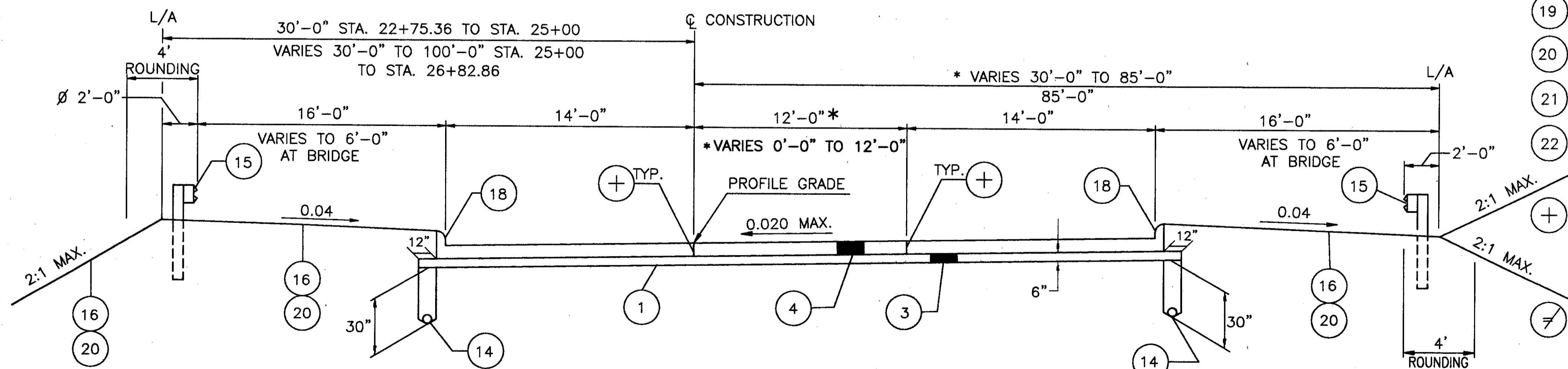
STA. 11+75.00 TO STA. 14+93.60 - FULL SUPERELEVATION = 318.60 LIN. FT. (CURVE RIGHT) **
 STA. 14+93.60 TO STA. 16+18.60 - SUPERELEVATION TRANSITION = 125.00 LIN. FT. (CURVE RIGHT) **
 STA. 19+89.88 TO STA. 21+14.88 - SUPERELEVATION TRANSITION = 125.00 LIN. FT. (CURVE LEFT)
 STA. 21+14.88 TO STA. 22+75.36 - FULL SUPERELEVATION = 160.48 LIN. FT. (CURVE LEFT)

729.08 LIN. FT.
 Ø 12'-6" FROM STA. 12+00.00 TO STA. 14+00.00



**S.R. 615
2 LANE NORMAL SECTION**

STA. 16+18.60 TO STA. 19+89.88 = 371.28 LIN. FT.



**S.R. 615
3 LANE SUPERELEVATION SECTION**

* STA. 22+75.36 TO STA. 24+25.36 - FULL SUPERELEVATION = 150.00 LIN. FT. (CURVE LEFT)
 STA. 24+25.36 TO STA. 25+27.86 - FULL SUPERELEVATION = 102.50 LIN. FT. (CURVE LEFT)
 STA. 25+27.86 TO STA. 26+97.86 - SUPERELEVATION TRANSITION = 170.00 LIN. FT. (CURVE LEFT)
 422.50 LIN. FT.

Ø 18'-0" STA. 22+70.00 TO STA. 27+85.60

LEGEND

- 1 ITEM 203 - SUBGRADE COMPACTION (FOR AREAS 6' OR GREATER IN WIDTH)
- 2 ITEM 301 - 8" BITUMINOUS AGGREGATE BASE, PG 64-22
- 3 ITEM 304 - AGGREGATE BASE, AS PER PLAN
- 4 ITEM 451 - 9" REINFORCED CONCRETE PAVEMENT
- 5 ITEM 305 - 10" CONCRETE BASE
- 6 ITEM 451 - 12" REINFORCED CONCRETE PAVEMENT
- 7 ITEM 407 - TACK COAT
- 8 ITEM 605 - AGGREGATE DRAIN
- 9 NOT USED
- 10 NOT USED
- 11 ITEM 446 - 1-1/2" ASPHALT CONCRETE SURFACE COURSE, TYPE I, PG 64-22, AS PER PLAN
- 12 ITEM 446 - 1-3/4" ASPHALT CONCRETE INTERMEDIATE COURSE, TYPE 2, PG 64-22
- 13 ITEM 448 - ASPHALT CONCRETE INTERMEDIATE COURSE, TYPE 1, UNDER GUARDRAIL, PG 64-22, AS PER PLAN, (3" THICK)
- 14 ITEM 605 - 6" SHALLOW PIPE UNDERDRAIN WITH FABRIC WRAP
- 15 ITEM 606 - GUARDRAIL, TYPE 5
- 16 ITEM 870 - SEEDING AND MULCHING
- 17 ITEM 608 - 4" CONCRETE WALK
- 18 ITEM 830 - CURB, TYPE 2A
- 19 ITEM 254 - 1-1/4" PAVEMENT PLANING, BITUMINOUS
- 20 ITEM 870 - PLACING TOPSOIL
- 21 ITEM 611 - (T=15") REINFORCED CONCRETE
- 22 ITEM 203 - LINEAR GRADING
- + STANDARD LONGITUDINAL JOINT
- ⊘ TYPE D JOINT AS PER BP-2.1

H:\CT\97125\SDSK\97125203.DWG - PLOT SCALE = 1/4"

SR 615
PROPOSED TYPICAL SECTIONS

LAK-IR90/SR615-9.26/1.51