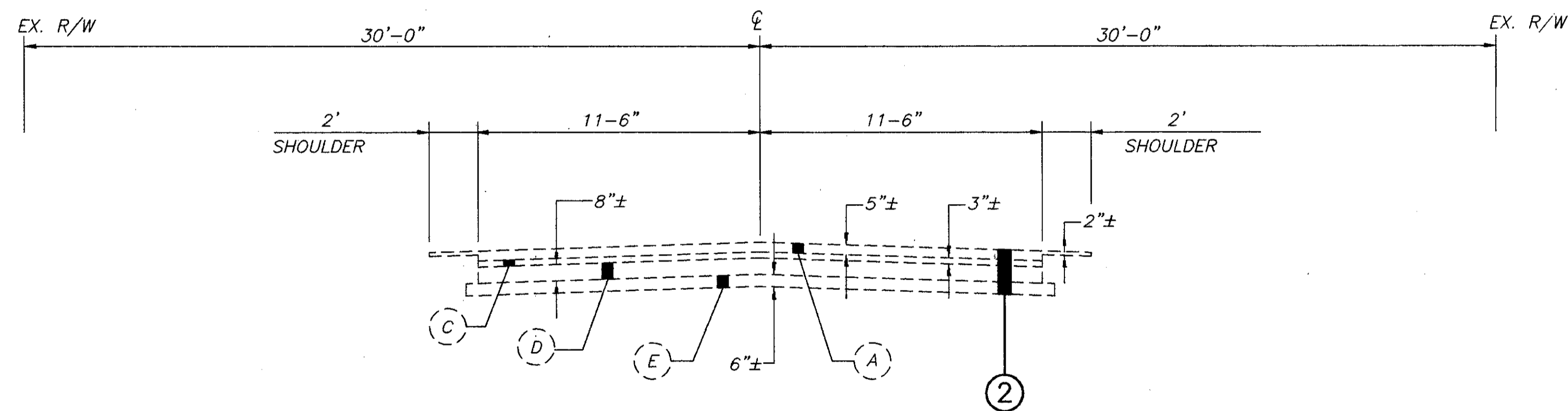


**S.R. 615  
EXISTING TYPICAL SECTION**

STA. 10+00 TO 25+00 \*  
STA. 40+00 TO 77+06.36 \*\*



**S.R. 615  
EXISTING TYPICAL SECTION**

STA. 25+00 TO 28+02.71  
STA. 31+97.29 TO 40+00

**PROPOSED LEGEND**

- (A) ITEM 202 - PAVEMENT REMOVED
- (B) ITEM 203 - EXCAVATION, NOT INCLUDING EMBANKMENT CONSTRUCTION

**EXISTING LEGEND**

- (A) ASPHALT CONCRETE
- (B) CONCRETE PAVEMENT
- (C) BITUMINOUS AGGREGATE BASE
- (D) AGGREGATE BASE
- (E) SUBBASE