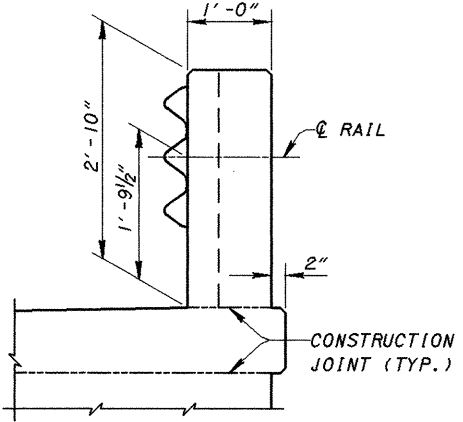
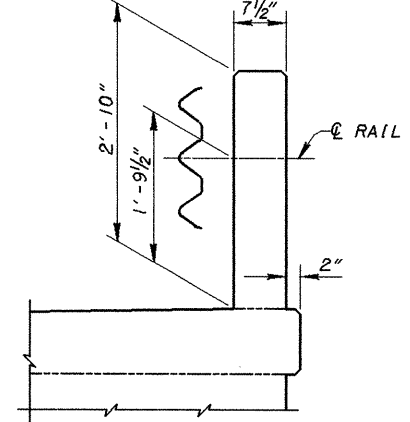


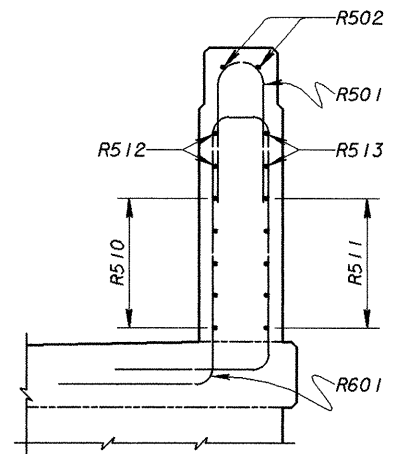
PLAN



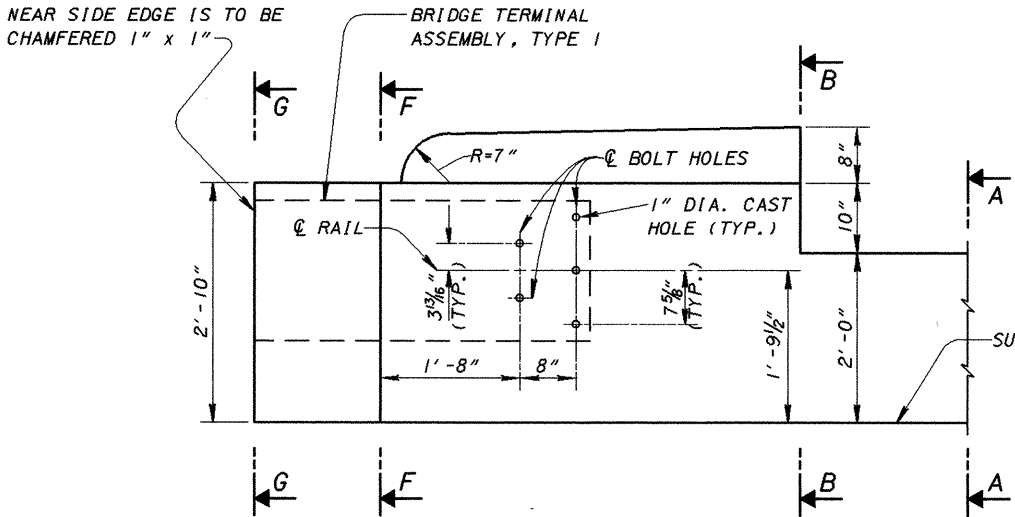
SECTION F-F



SECTION G-G

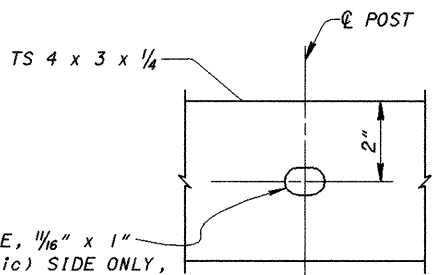


SECTION H-H

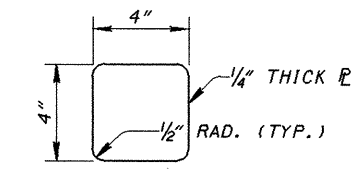


ELEVATION (DIMENSIONS)
(RAILING NOT SHOWN)

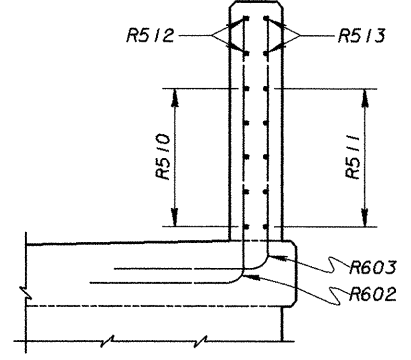
FOR SECTIONS A-A AND B-B, SEE SHEET 1/3.



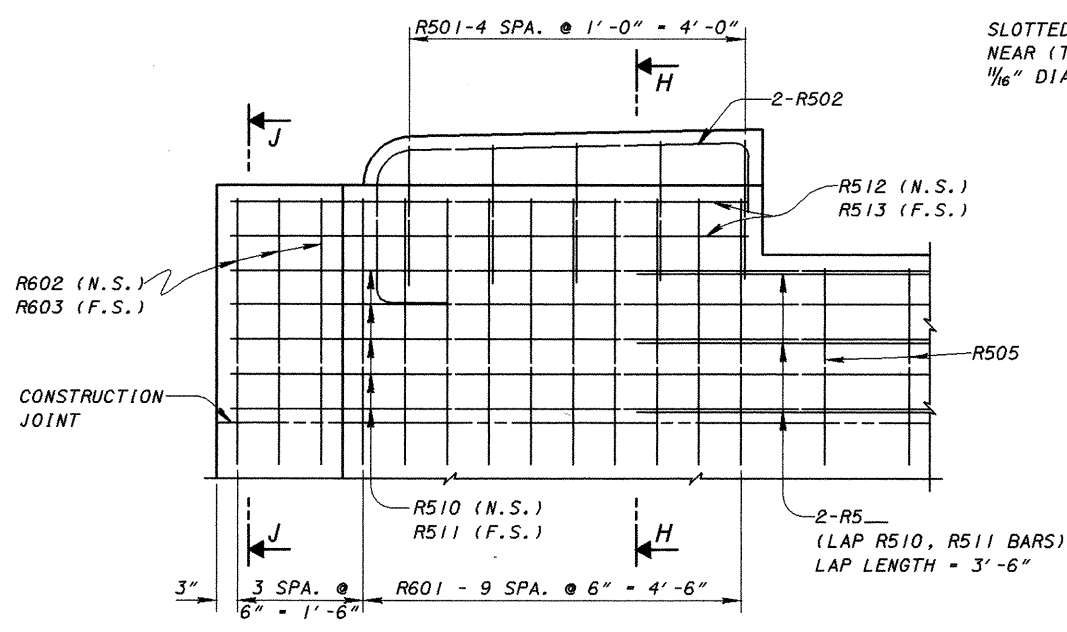
DETAIL B
(Typical top & bottom rails)



POST CAP DETAIL

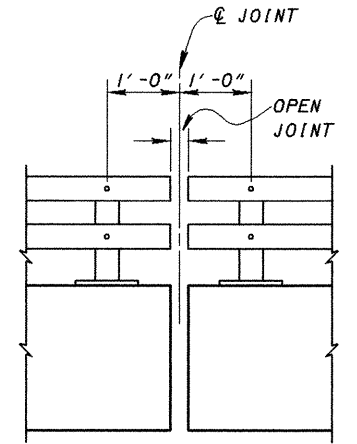


SECTION J-J



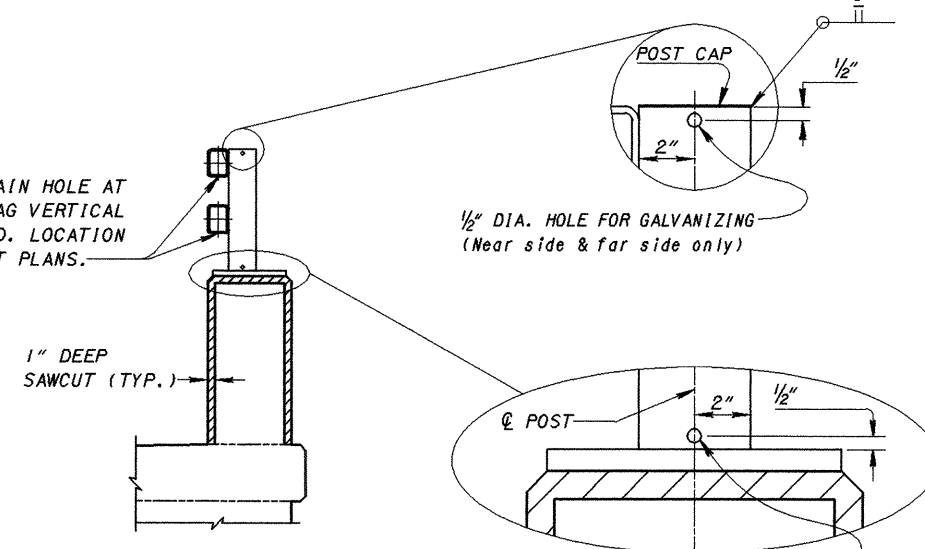
ELEVATION (REINFORCING)
(RAILING NOT SHOWN)

N.S. = NEAR SIDE
F.S. = FAR SIDE



RAILING DETAIL
(AT DECK EXPANSION JOINT)

PROVIDE 1/2" DIA. DRAIN HOLE AT LOWEST POINT WHEN SAG VERTICAL CURVES ARE ENCOUNTERED. LOCATION TO BE SHOWN ON PROJECT PLANS.



DETAIL A
(Section through control joint)

BRIDGE SIDEWALK RAILING WITH APPROACH RAILING

(For details not shown, see sheet 1/3).

DESIGN AGENCY	OFFICE OF	STRUCTURAL ENGINEERING
STATE OF OHIO DEPARTMENT OF TRANSPORTATION	BRAD TAGUELL	DATE
	ADMINISTRATOR	
REVISIONS	DESIGNED	CHECKED
	SDS	SAM
	DRAWN	SAM
	REVIEWED	WTL
		BR-2-98
STANDARD	BRIDGE SIDEWALK RAILING WITH CONCRETE PARAPETS	
2/	3	