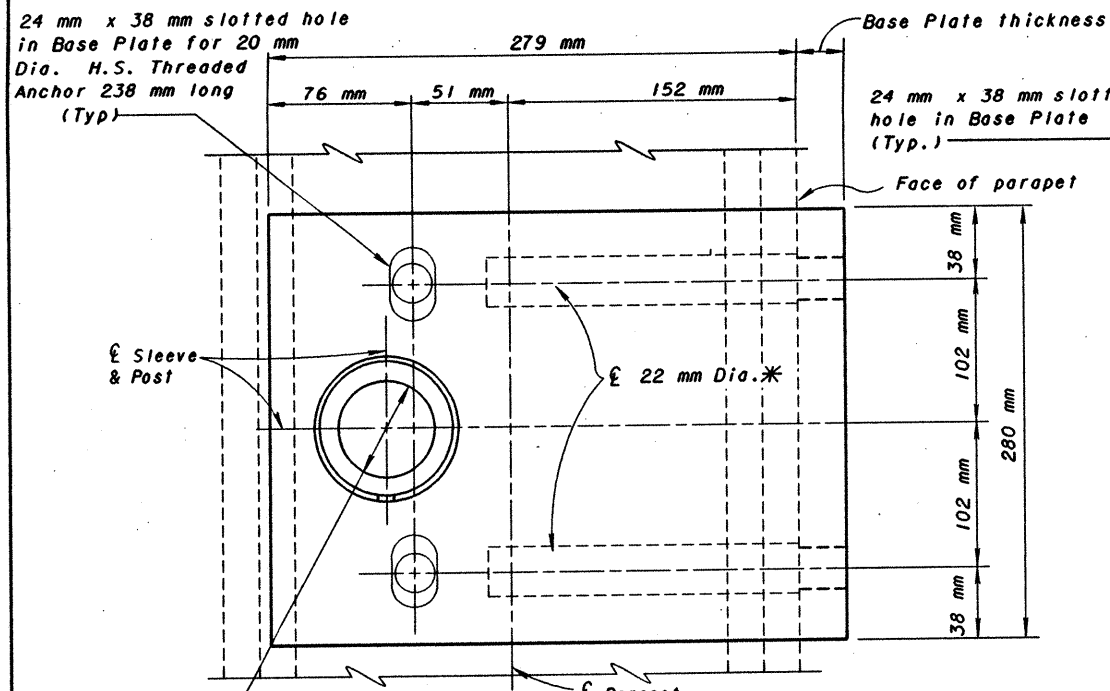


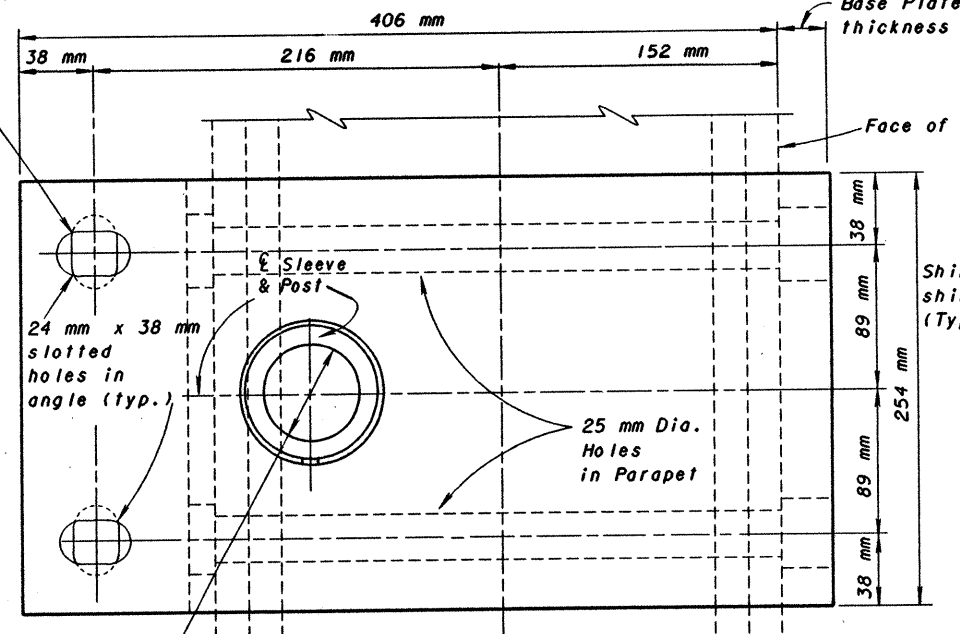
RETROFIT BASE PLATES FOR FENCE POSTS



PLAN BP-3

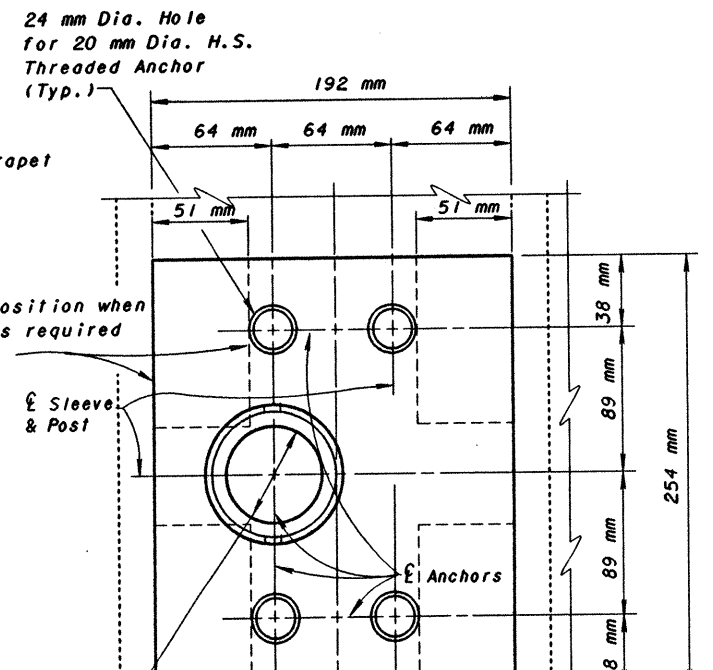
SHIM PORTIONS, POST AND SET SCREW NOT SHOWN

Note: Top rail for BR-1-65 Railing with Type 2 posts not shown.



PLAN BP-4

SHIM PORTIONS, POST AND SET SCREW NOT SHOWN



PLAN BP-5

SHIM PORTIONS SHOWN

24 mm x 38 mm slotted hole in Base Plate for 20 mm Dia. H.S. Threaded Anchor 238 mm long (Typ.)

50 mm Dia. Hole in Base Plate

* Holes for 20 mm Dia. Vinylster Flush Inserts (Inserts, Bolts and Washers not shown)

Existing bottom or single rail shall not be removed.

24 mm x 38 mm slotted hole in Base Plate (Typ.)

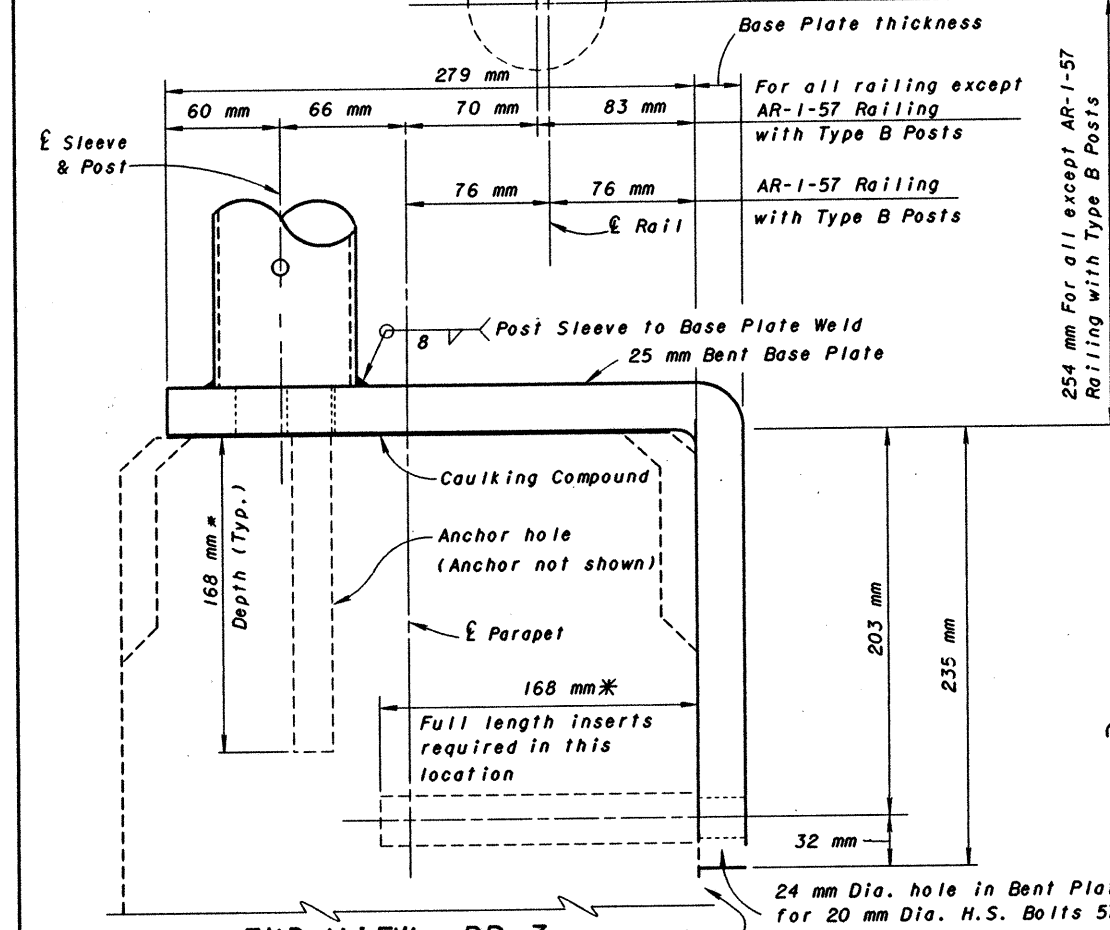
25 mm Dia. Holes in Parapet

50 mm Dia. Hole in Base Plate

24 mm Dia. Hole for 20 mm Dia. H.S. Threaded Anchor (Typ.)

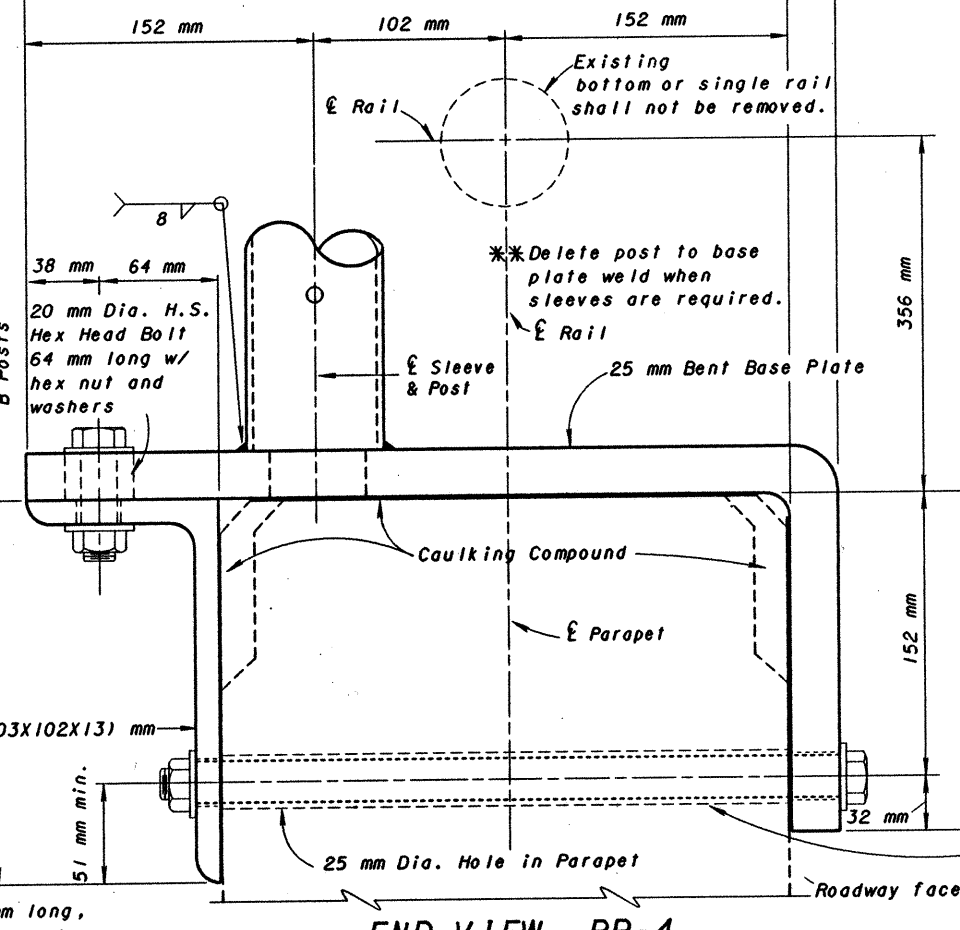
Shim position when shim is required (Typ.)

50 mm Dia. Hole in Base Plate



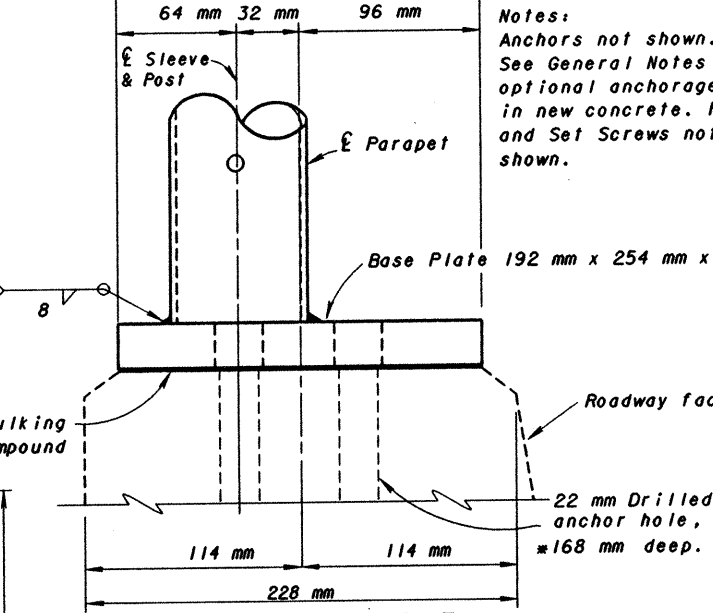
END VIEW BP-3

Base Plate shall be used on concrete parapet with aluminum railing as shown on Standard Drawings BR-2-82, BR-2-67, BR-1-65 with Types 1 & 2 posts, and AR-1-57 with Type B posts. Existing aluminum rail shall not be removed. Base Plate requires a sleeve. See Sleeve Details on Sheet 377.



END VIEW BP-4

Base Plate shall be used on concrete parapet with aluminum railing as shown on Standard Drawing AR-1-57 with Type A and C posts. Existing aluminum rail shall not be removed. Base Plate requires a sleeve. See Sleeve Details on Sheet 377.



END VIEW BP-5

Base Plate shall be used to connect fence post to existing BR-1-67 parapet and existing or new BR-1 deflector parapet when 1850 mm fence is specified. Base Plate requires a sleeve. See Post Sleeve Details on Sheet 377.

STATE OF OHIO DEPARTMENT OF TRANSPORTATION	DESIGN AGENCY
BUREAU OF BRIDGES	BUREAU OF BRIDGES
AND STRUCTURAL DESIGN	AND STRUCTURAL DESIGN
REVIEWED	DATE
CHECKED	DATE
PREPARED	DATE
DRAWN	DATE
DRAWING NO.	DATE
VANDAL PROTECTION FENCE	DATE
BASE PLATES WHEN	DATE
RAILS ARE NOT REMOVED	DATE