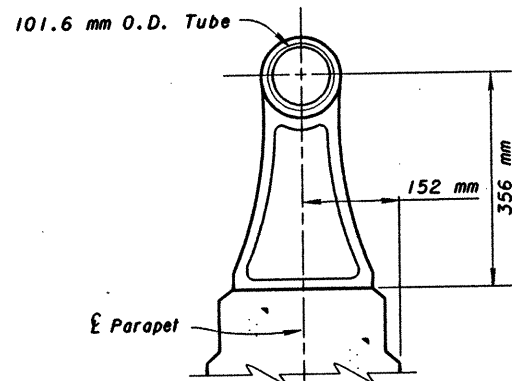
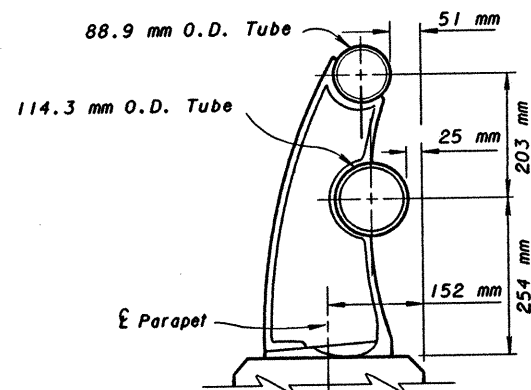


AR TYPE PARAPET

See Standard Drawing AR-1-57. Use curved fence or straight 2450 mm high fence as determined by curb or sidewalk width and and Base Plates BP-1, BP-2, BP-3 or BP-4.



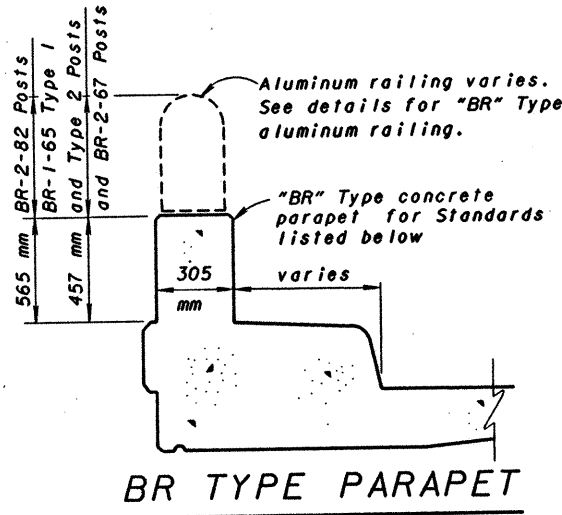
Aluminum railing for Standard Drawing AR-1-57 with Type A Posts



Aluminum railing for Standard Drawings BR-2-82, BR-2-67 and BR-1-65 with Type 2 Posts

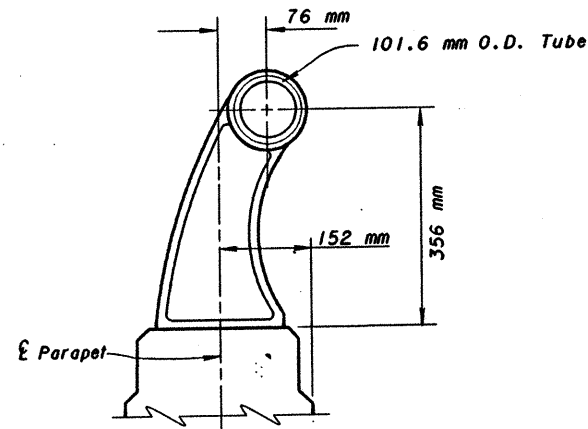
BR TYPE ALUMINUM RAILING

RAILING TYPES



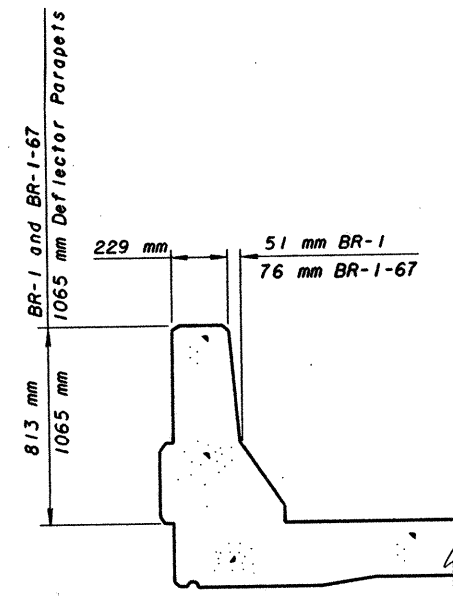
BR TYPE PARAPET

See Standard Drawings BR-2-82, BR-2-67 and BR-1-65. Use curved fence or straight 2450 mm high fence as determined by curb or sidewalk width and Base Plate BP-1.



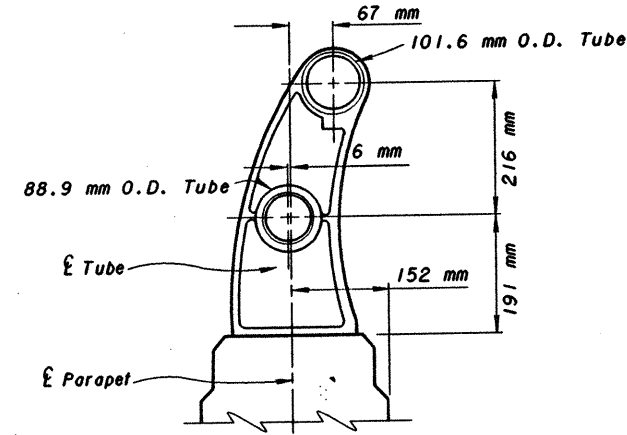
Aluminum railing for Standard Drawing AR-1-57 with Type B Posts

AR TYPE ALUMINUM RAILING

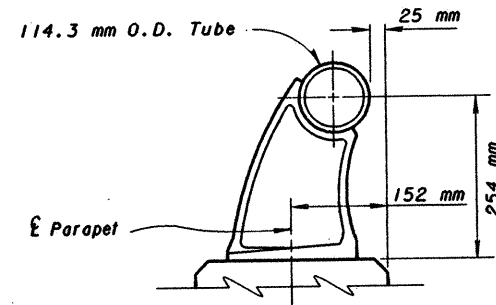


DEFLECTOR PARAPET

See Standard Drawings BR-1 & BR-1-67 and 1065 mm Deflector Parapet. Use straight 1850 mm high fence and Base Plate BP-5.



Aluminum railing for Standard Drawing AR-1-57 with Type C Posts



Aluminum railing for Standard Drawing BR-1-65 with Type 1 Posts

Base plate threaded anchors are designed for a minimum concrete strength of $f_c' = 28$ MPa. Special designs required for concrete strengths less than this.

DESIGN AGENCY	BUREAU OF BRIDGES AND STRUCTURAL DESIGN
STATE OF OHIO DEPARTMENT OF TRANSPORTATION	DATE
ENGINEER OF BRIDGES	DATE
CHECKED	REVIEWED
RD	WTF/LMM
DRAWING NO.	
VFF-1-90M	
PREPARED	
JCR	
DRAWN	
GFJ/RJS	
REVISTONS	
STANDARD DRAWING	
VANDAL PROTECTION FENCE	
GENERAL NOTES AND RAILING TYPES	
2	7