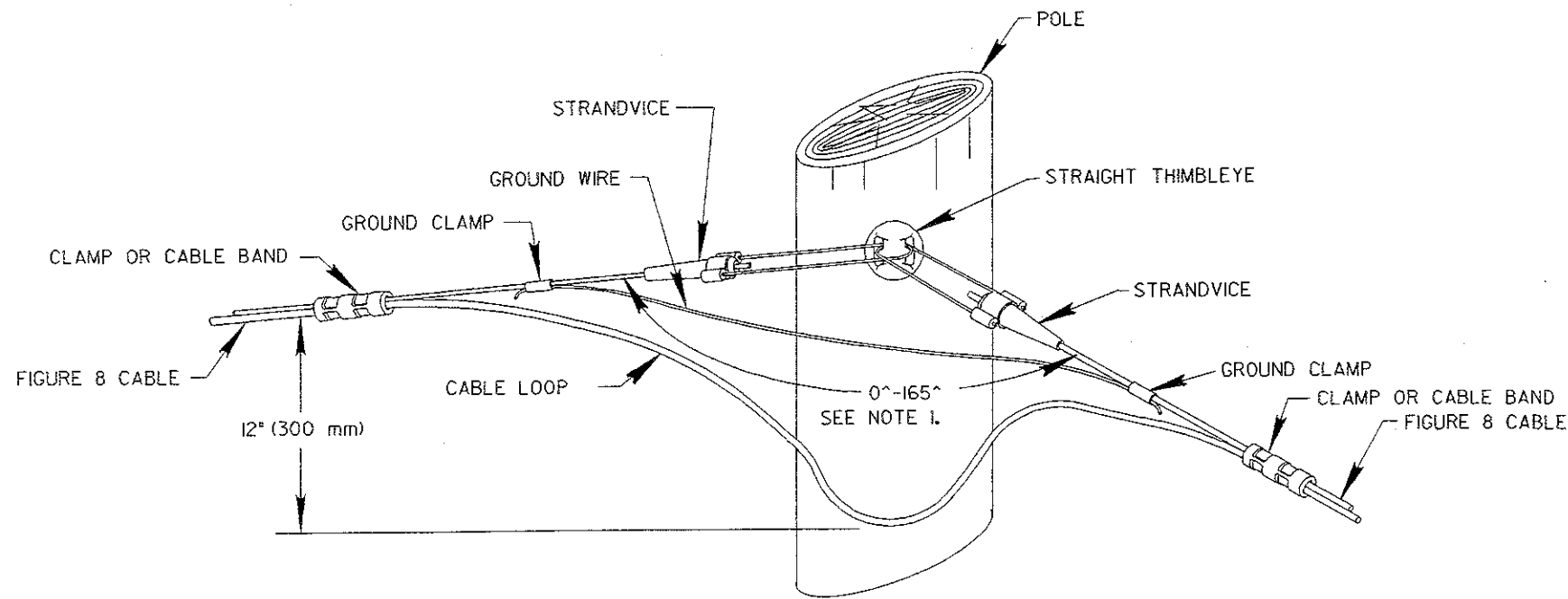


TOP VIEW



FRONT VIEW

NOTES

1. For angles of 166° through 180° use interconnect attachment details shown on TC-84.20. Messenger wire pole attachment shall be by a pole clamp on steel poles and by a 1/8" (16 mm) thru-bolt or thimbleye bolt with curved washers on wood poles.
2. The interconnect or loop detector lead-in messenger wire shall be electrically grounded at the first and last poles in a cable run and at intervals not to exceed 1200 feet (365 m). When attached to wood poles, the messenger wire shall be grounded by bonding to existing ground wire or connection to a ground rod. The messenger wire shall be bonded to grounded steel poles by use of a 1/2" (13 mm) bolt, drilled and tapped into the pole.
3. The interconnect or loop detector lead-in cable shall have a sag between 3% and 5% or match the existing utility lines.
4. Grounding of poles shall be as shown on TC-84.20.