

# NOTES

1. Bearing plates shall conform to details on drawing TC-41.20.

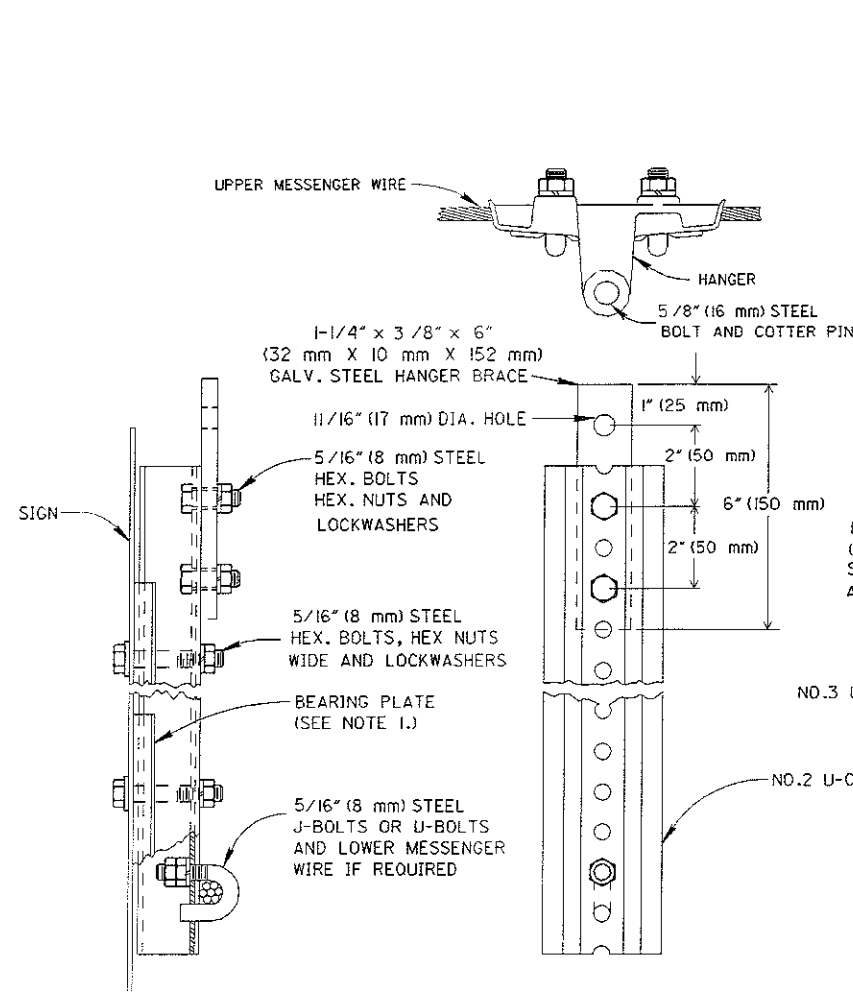
01-19-01

SPECIAL SIGN ATTACHMENTS

OFFICE OF TRAFFIC ENGINEERING

TC-41.41

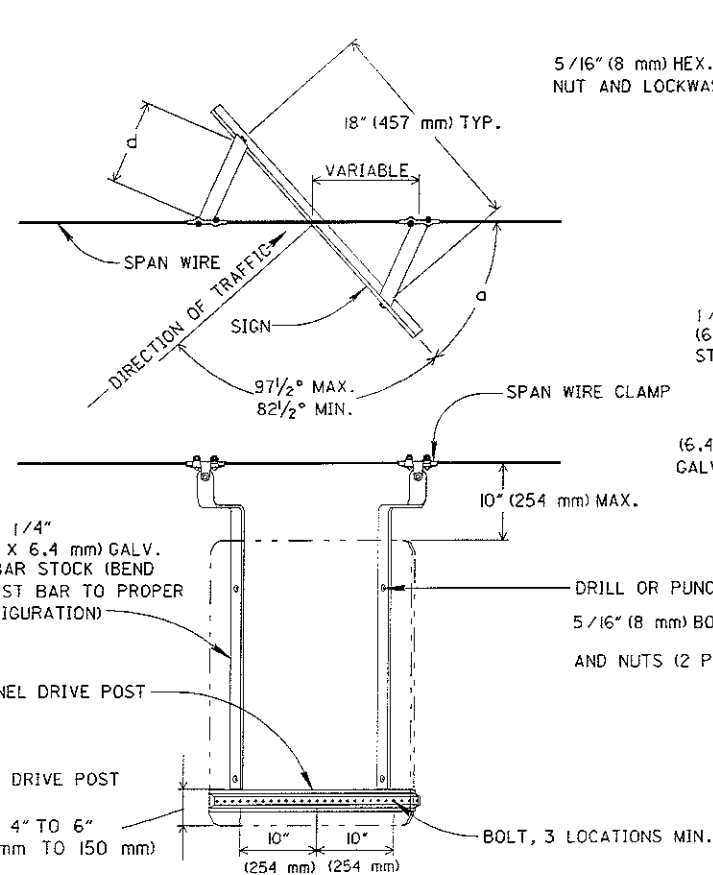
LAM



2 REQUIRED PER SIGN

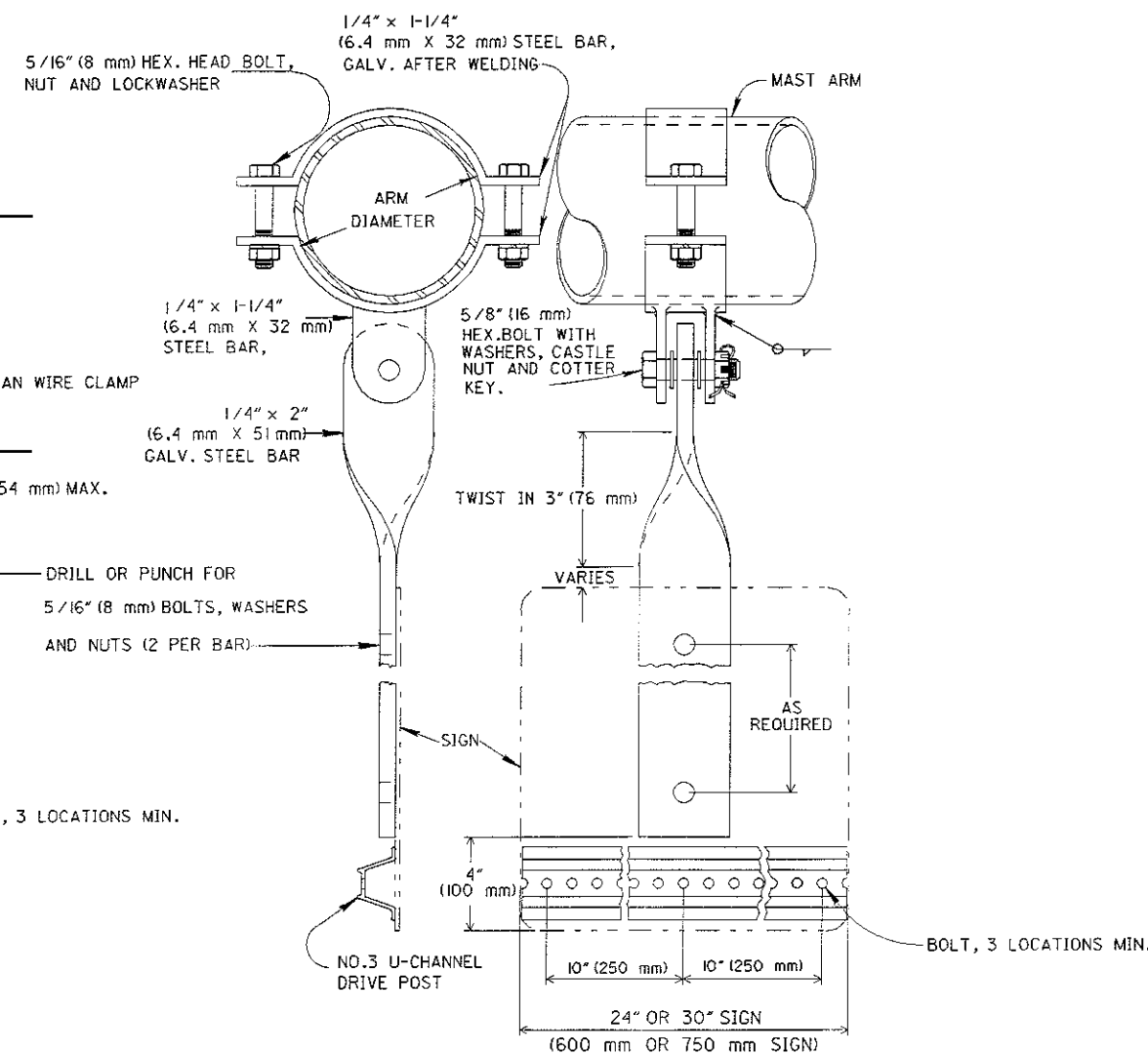
SIGN HANGER ASSEMBLY, SPAN WIRE

TYPE 1



a	d (mm)
0°	0
15°	61
30°	119
45°	175
60°	229

a	d (in)
0°	0
15°	2.4
30°	4.7
45°	6.9
60°	9



SIGN HANGER ASSEMBLY, MAST ARM