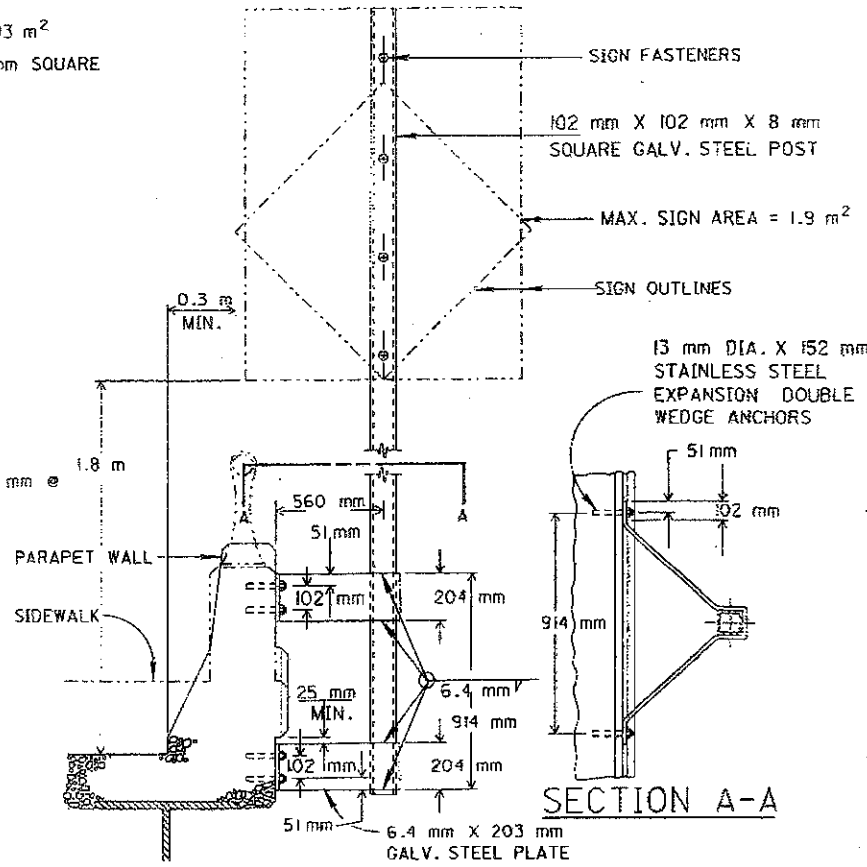
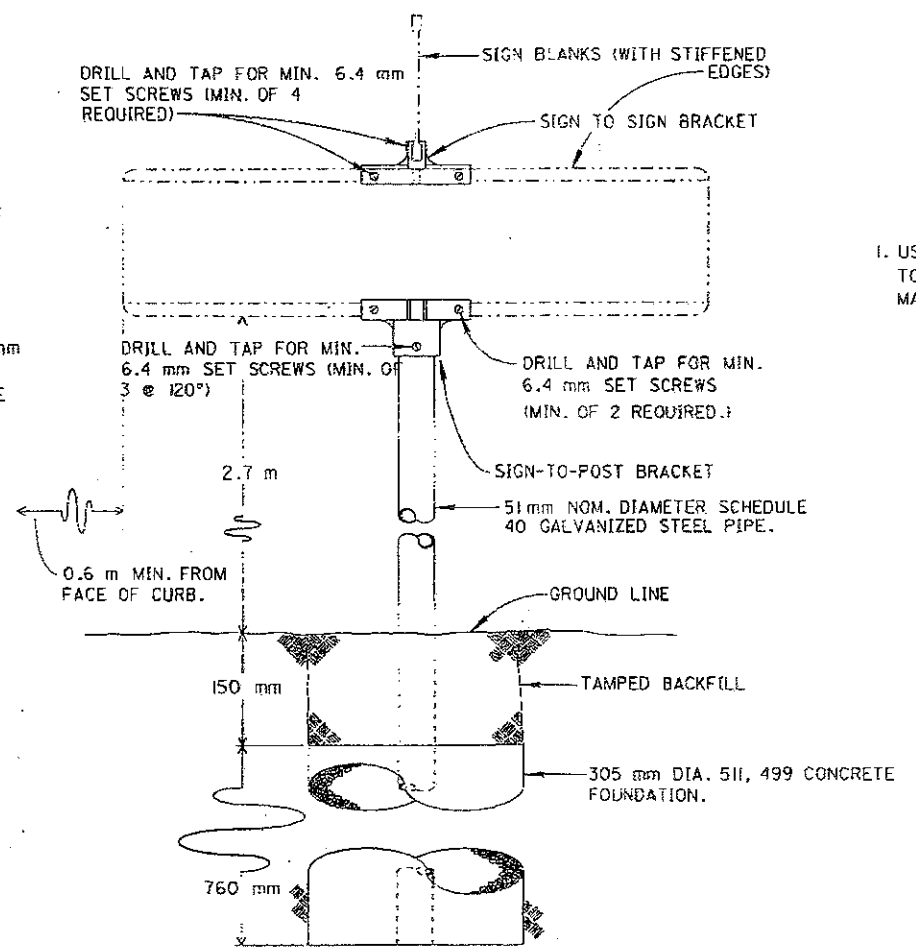


SIGN SUPPORT ASSEMBLY, BRIDGE MOUNTED, TYPE 1.



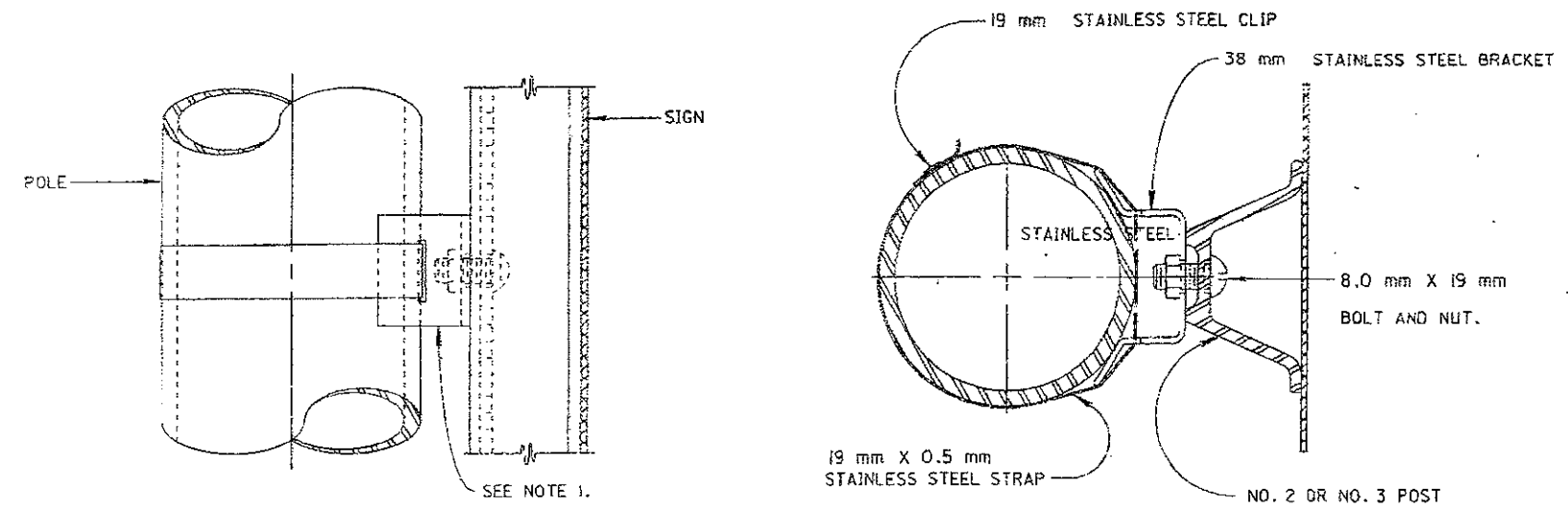
SIGN SUPPORT ASSEMBLY, BRIDGE MOUNTED, TYPE 2.



STREET NAME SIGN SUPPORT

NOTES

1. USE MINIMUM OF 2 BRACKETS (LOCATED 150 mm FROM TOP AND BOTTOM OF SIGN) PER INSTALLATION WITH MAXIMUM SPACING OF 0.9 m.



SIGN SUPPORT ASSEMBLY, POLE MOUNTED

M E T R I C	
BUREAU OF DESIGN SERVICES DIVISION OF HIGHWAYS OHIO DEPARTMENT OF TRANSPORTATION	
TRAFFIC CONTROL	DATE 03/31/94
SPECIAL SIGN ATTACHMENTS AND SUPPORTS	
STANDARD CONSTRUCTION DRAWING	TC-41.40M
APPROVED <i>[Signature]</i> ENGR. OF DESIGN SERVICES	