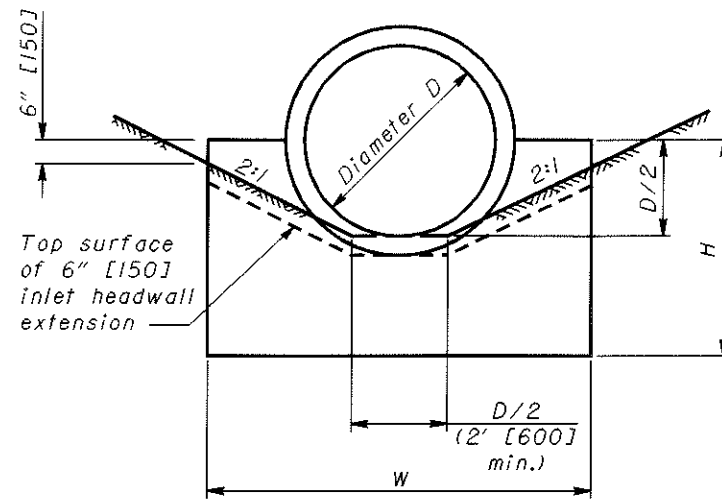
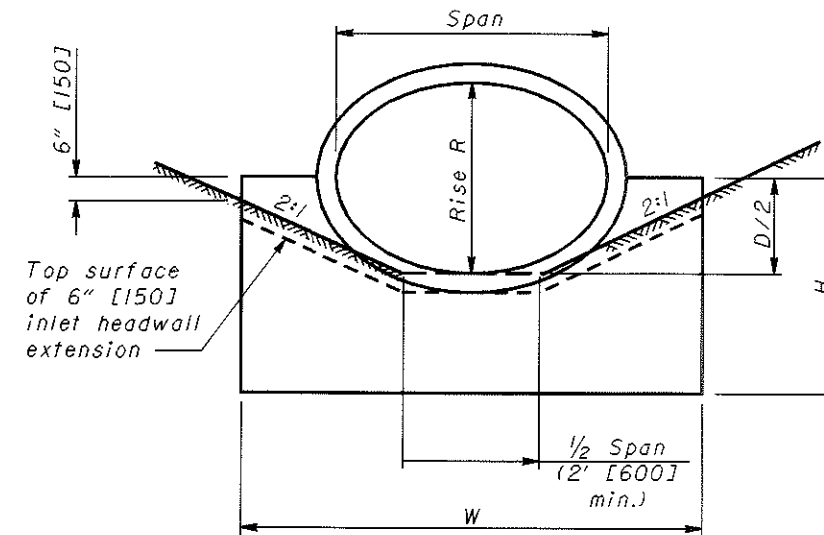


PROFILE



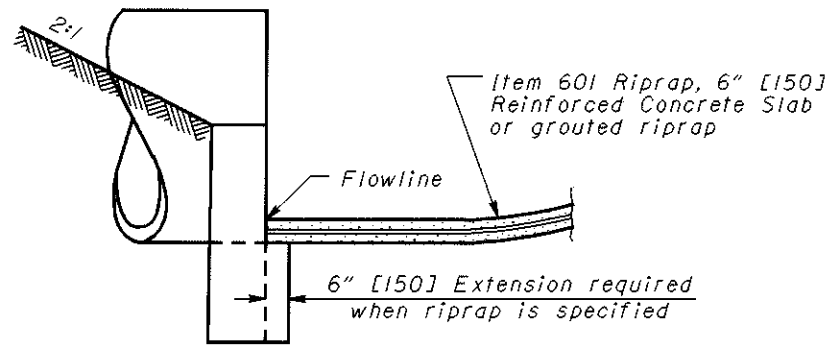
CIRCULAR



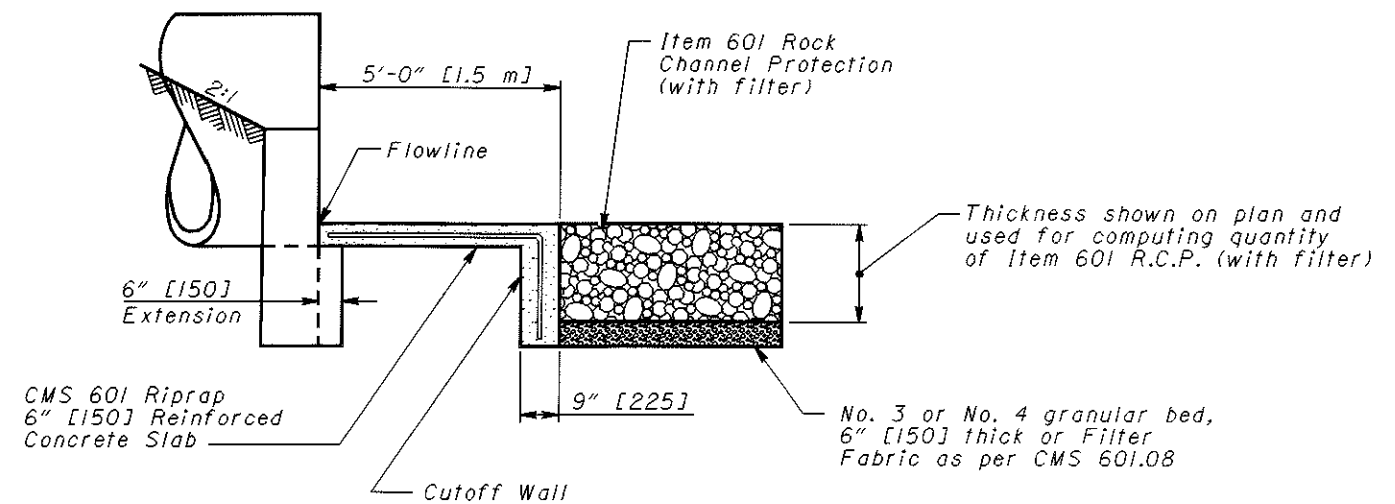
ELLIPTICAL

CONCRETE PIPE

See Sheet 2 of 2 for Pipe Tables and NOTES.



INLET CHANNEL PROTECTION DETAIL



OUTLET CHANNEL PROTECTION DETAIL

The depth of the riprap cutoff wall (2'-6" [750] min.) shall match the thickness of the rock channel protection shown on the plan plus 6" [150].

THIS DRAWING REPLACES HW-2.2M DATED 7-12-95.

NUMBER  
HW-2.2

STANDARD ROADWAY CONSTRUCTION DRAWING  
HALF-HEIGHT HEADWALLS  
FOR CONCRETE PIPE

ROADWAY  
ENGINEERING  
SERVICES

All metric dimensions  
(in brackets [ ]) are  
in millimeters unless  
otherwise noted.

STDS. ENGR.  
D. Focke  
DRAWN  
D. Focke

REVISIONS

OHIO DEPARTMENT OF TRANSPORTATION  
Ray T. Shuland  
ROADWAY DESIGN ENGINEER  
DATE  
7-20-01