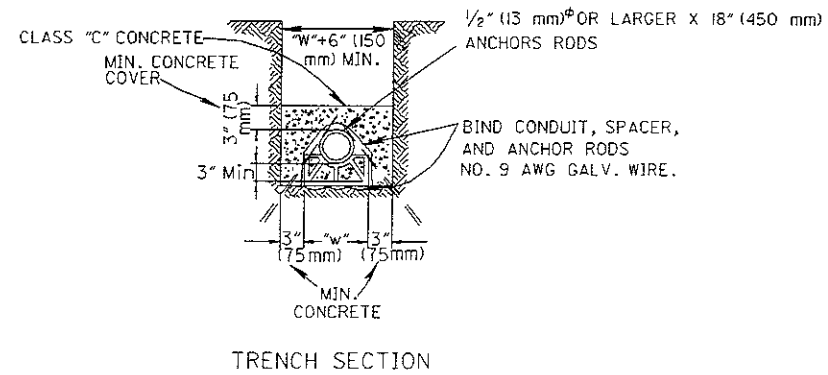
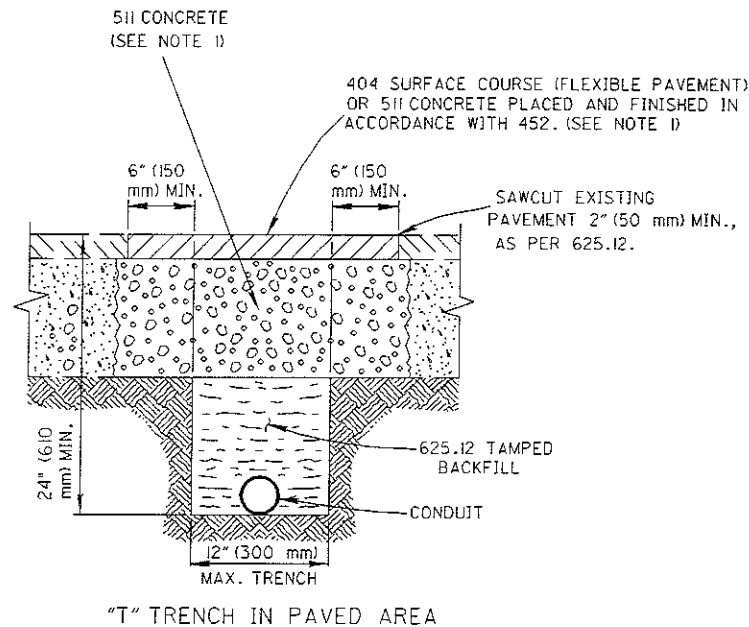
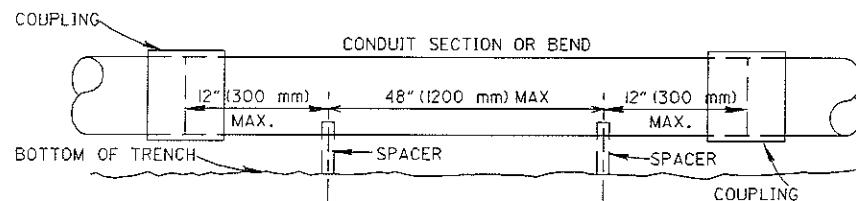


CONCRETE ENCASED CONDUIT

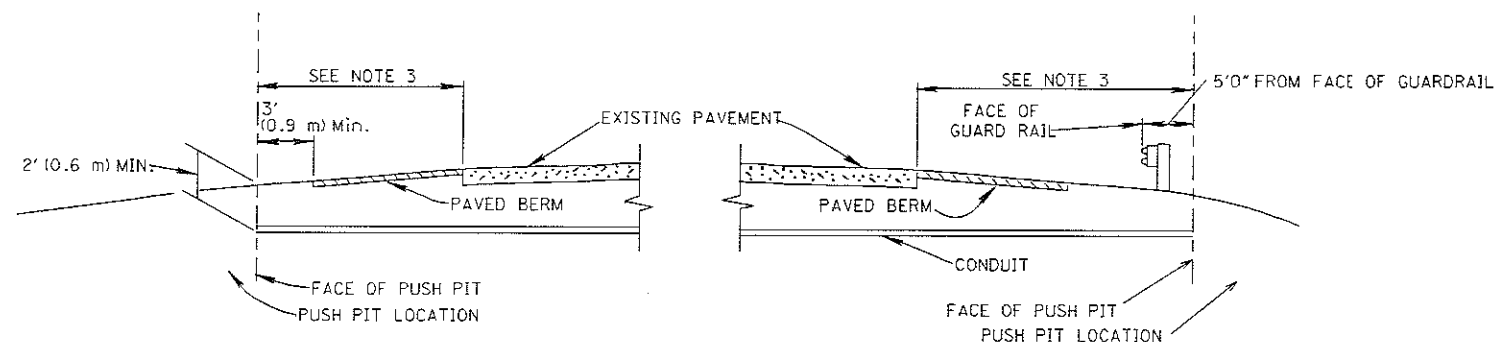
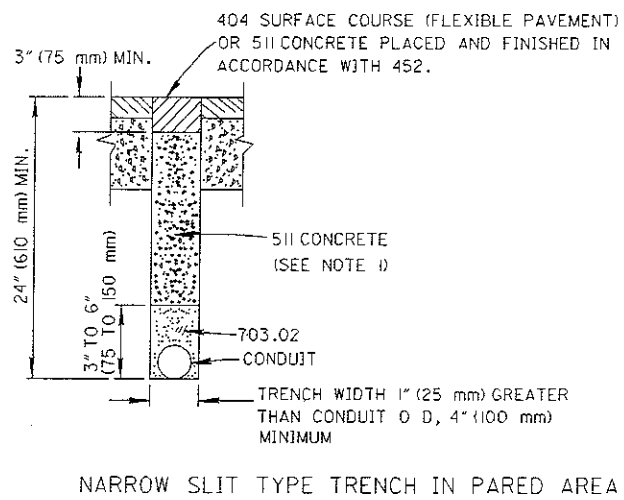
NOTES



1. Replacement of disturbed flexible pavement shall consist of a 511 concrete subcourse with a 404 surface course. Replacement of rigid pavement shall consist of a 511 concrete course with surface finished in accordance with 452.
2. Site clearing and restoration shall be in accordance with 603.09.
3. When undermining shoulder areas that do not have paved berms, provide 3/4 inch (19 mm) thick steel surface plates, corrugated pipe sleeves, shoring or other approved means to prevent cave-in.
4. When conduit is jacked or drilled under divided pavements, cable may be installed in a trench through the median area when specified in the plans.



SIDE ELEVATION



CONDUIT JACKED UNDER PAVEMENT