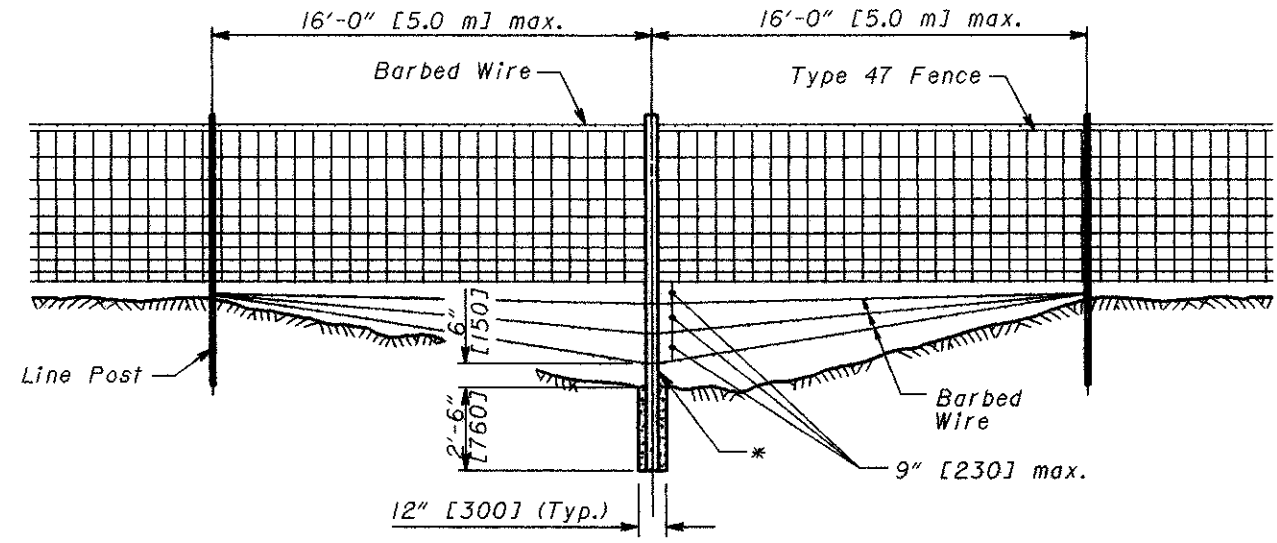


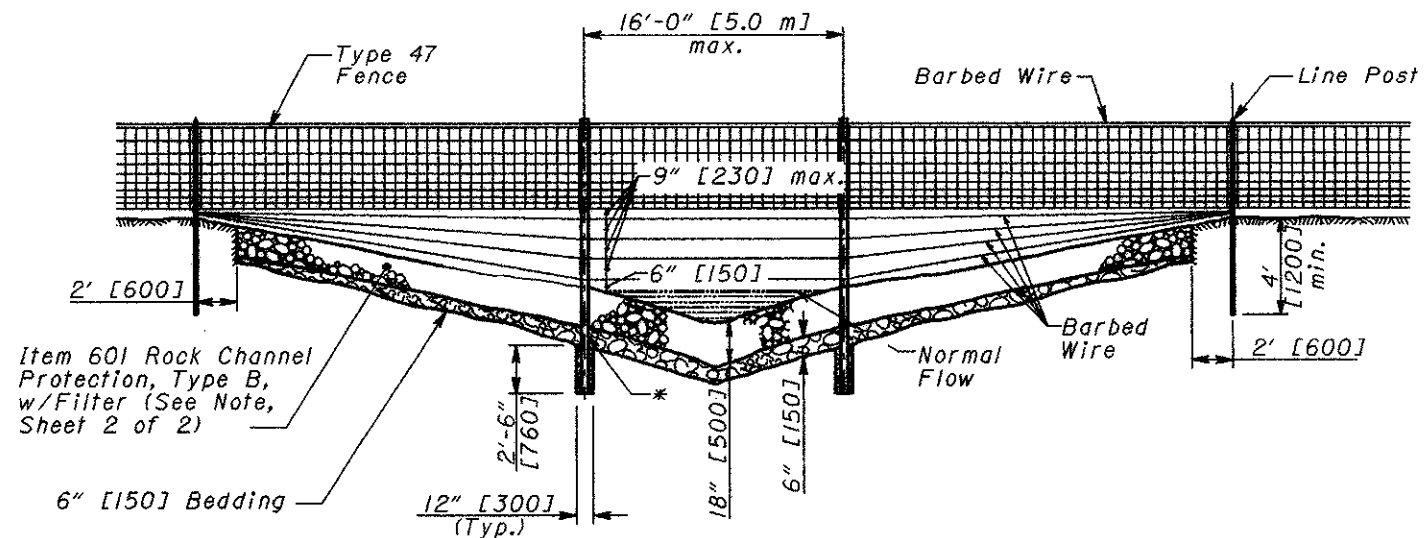
CROSSING TYPE 1

Item 601 Rock Channel Protection, Type B, w/Filter (See Note, Sheet 2 of 2)



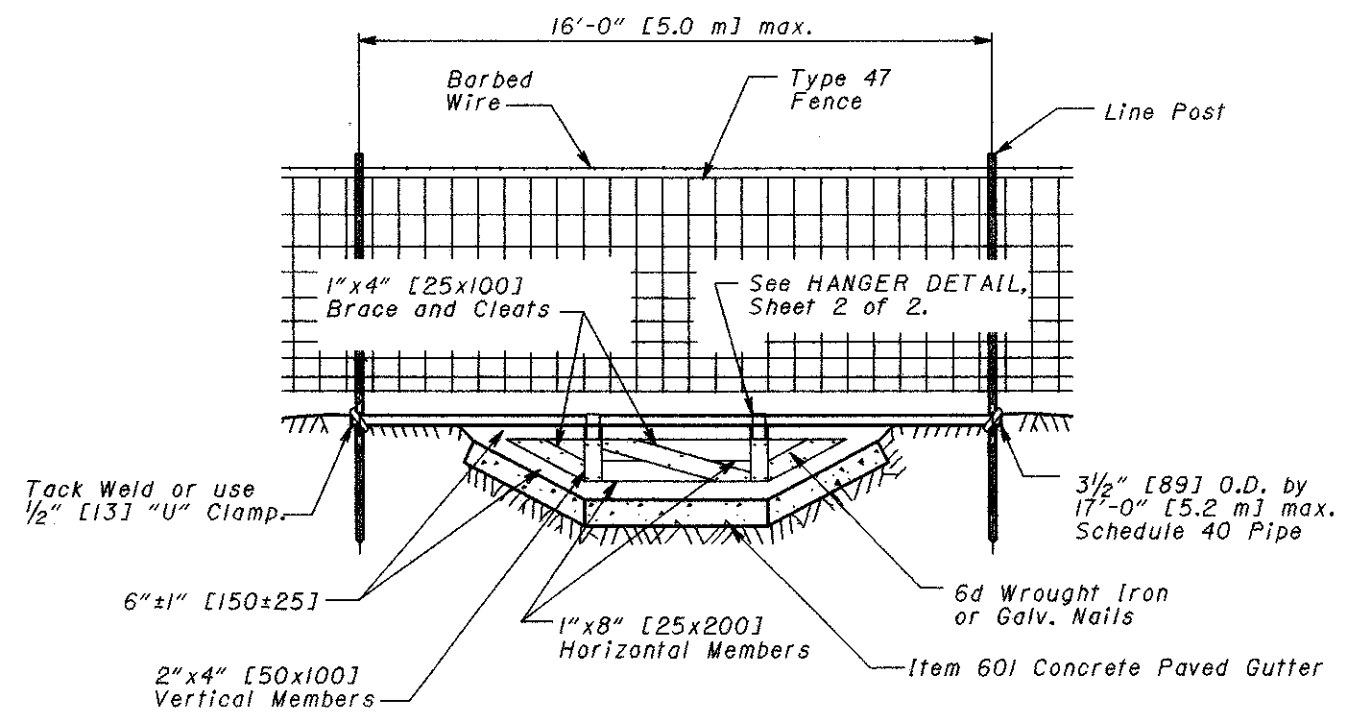
CROSSING TYPE 3

* Extra length Posts shall be 2 1/2" [63] dia. Steel Pipe or 3"x3"x1/4" [75x75x6.4] Angle, galvanized and set in Concrete.



CROSSING TYPE 2

Item 601 Rock Channel Protection, Type B, w/Filter (See Note, Sheet 2 of 2)



CROSSING TYPE 4

THIS DRAWING REPLACES F-3.4M DATED 4-8-97.
 ROADWAY ENGINEERING SERVICES
 STANDARD ROADWAY CONSTRUCTION DRAWING
 NUMBER F-3.4
 1/2
 REVISONS
 M. EVANS
 D. Focke
 ROADWAY DESIGN ENGINEER
 DATE
 TRANSPORTATION
 -28-00