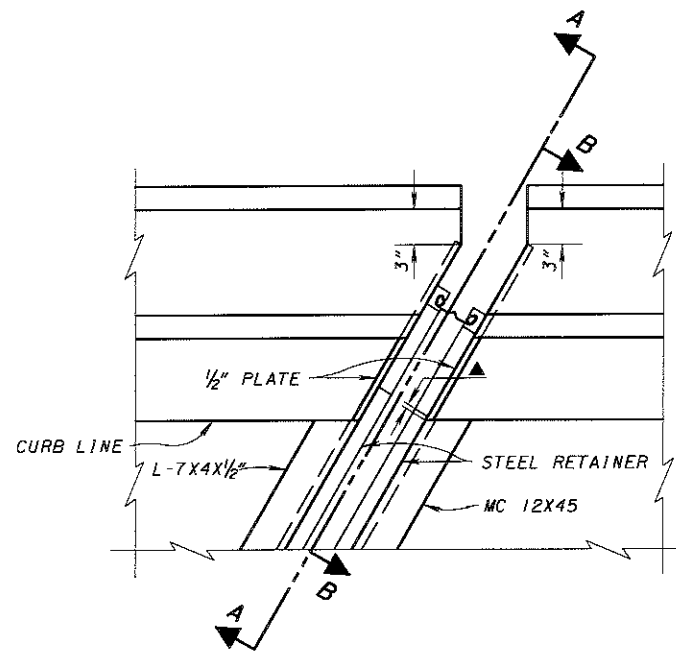


**PLAN AT ABUTMENT**

**FOR SKEWED BRIDGES (OVER 15°)  
WITH DEFLECTOR PARAPET RAILING**

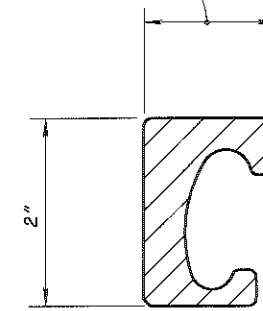
(BR-1 RAILING IS SHOWN, SBR-1-99 SHALL BE SIMILAR)



**DETAIL B**

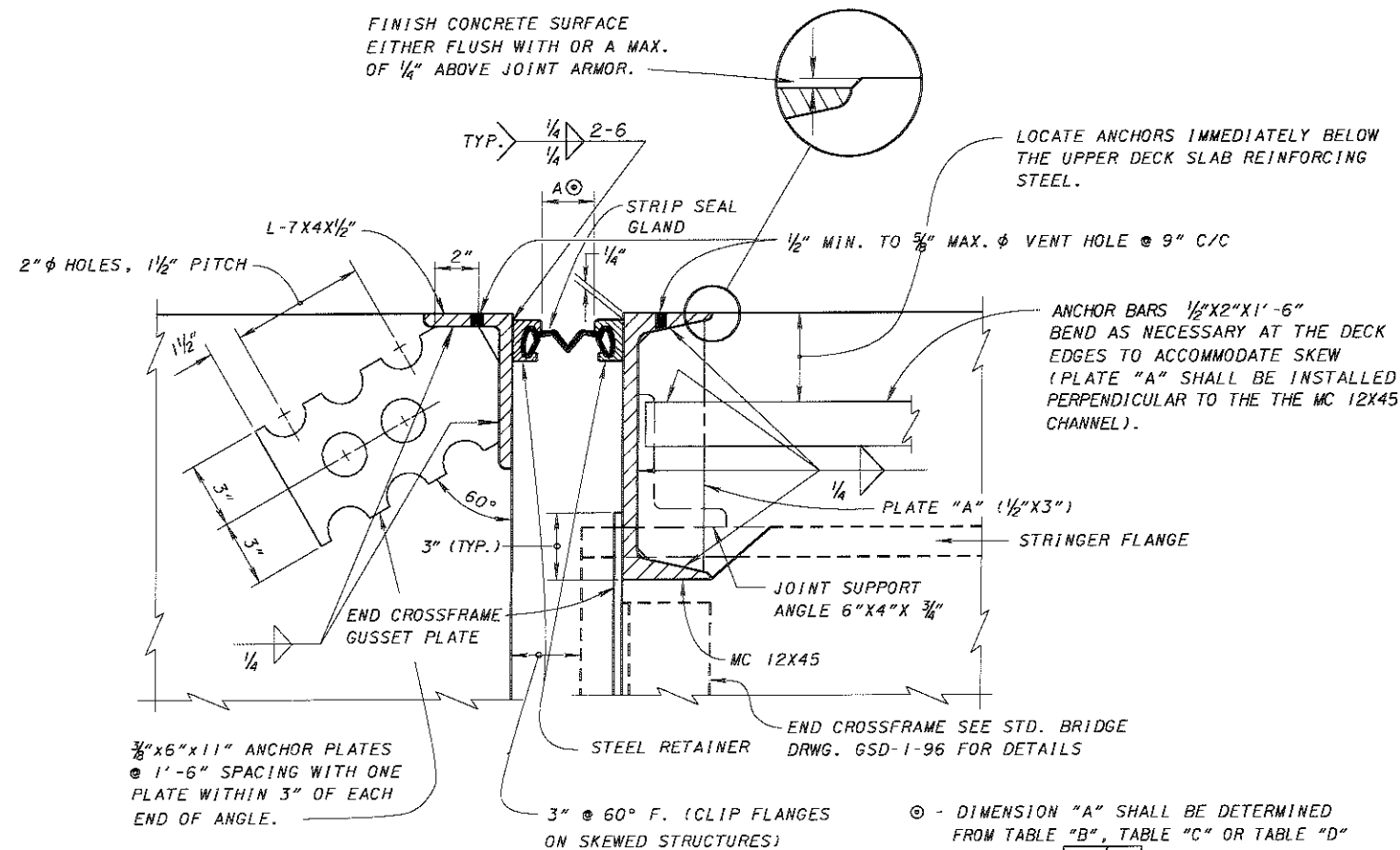
SEE SHEET **1/5** FOR DEFINITION OF "▲", SECTION A-A AND SECTION B-B. SECTION A-A AND SECTION B-B ARE SIMILAR FOR SQUARE AND SKEWED BRIDGES EXCEPT FOR THE CONCRETE FORMING AT THE EDGE OF THE PARAPET.

VARIES 1/4" TO 1/2"  
BY MANUFACTURER



**RETAINER DETAIL**

FINISH CONCRETE SURFACE  
EITHER FLUSH WITH OR A MAX.  
OF 1/4" ABOVE JOINT ARMOR.



**SECTION X-X**

⊙ - DIMENSION "A" SHALL BE DETERMINED FROM TABLE "B", TABLE "C" OR TABLE "D" ON SHEET **4/5**.