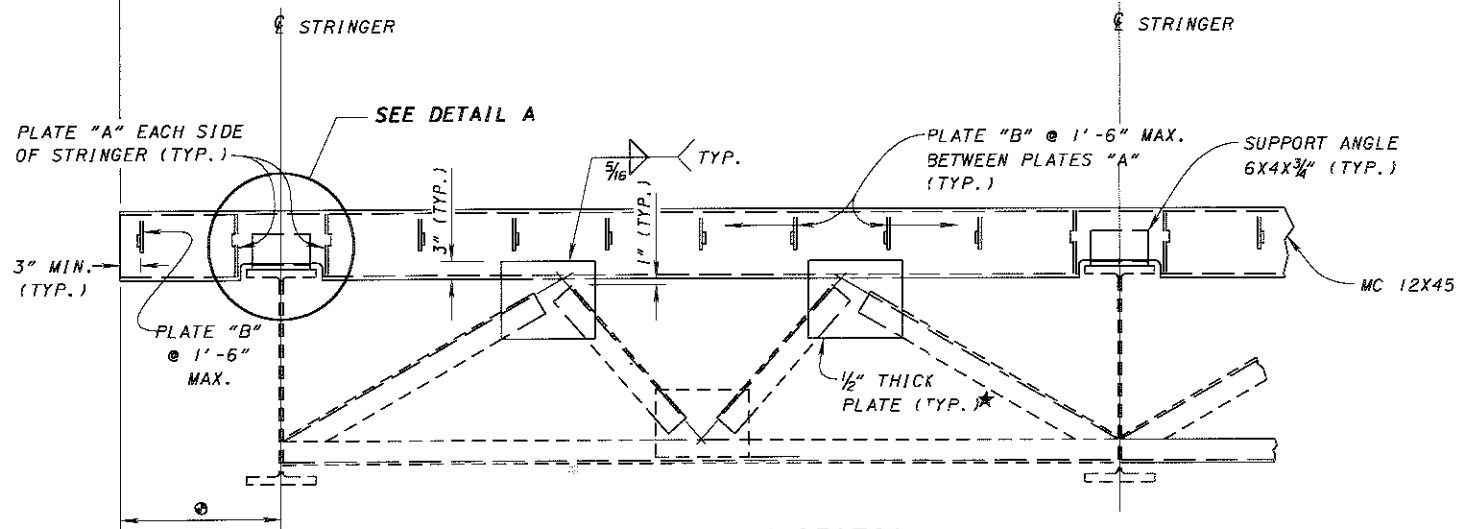


PART PLAN AT ABUTMENT
FOR SQUARE OR LOW SKEWED (15° OR LESS)
BRIDGES WITH DEFLECTOR PARAPET RAILING
(BR-1 RAILING IS SHOWN, SBR-1-99 SHALL BE SIMILAR)

END ABUTMENT AND SUPERSTRUCTURE JOINT ARMOR 1" FROM DECK FASCIA ON STRUCTURES WITHOUT CURBS OR PARAPETS. SEE SECTIONS A-A & B-B ON THIS SHEET AND SECTIONS F-F & G-G ON SHEET 3/5 FOR PARAPET OR SIDEWALK CONDITIONS.

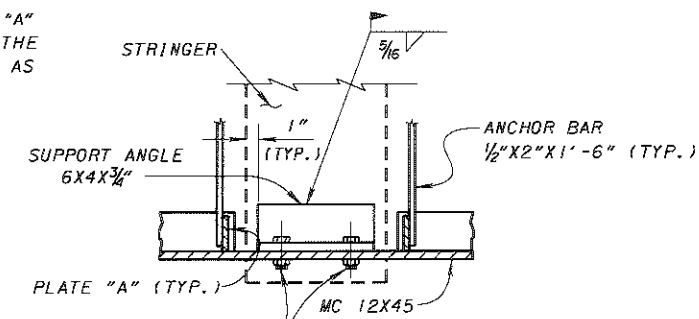


PART TRANSVERSE SECTION

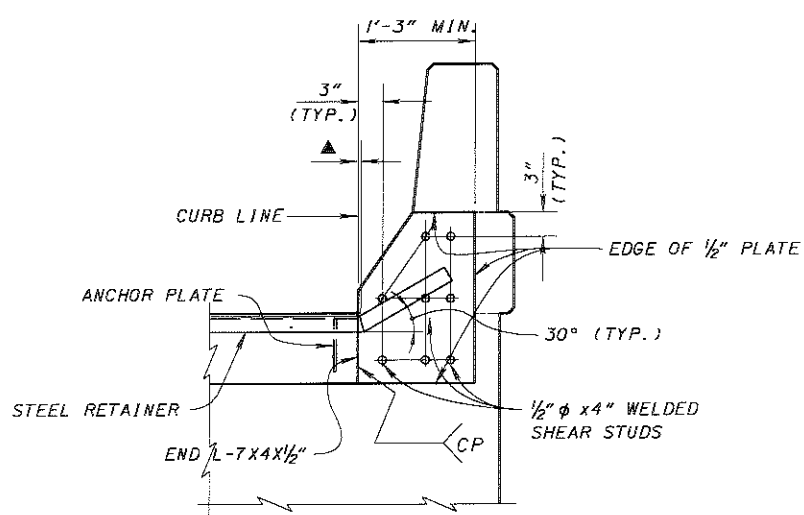
SEE STD. BRIDGE DWG. GSD-1-96 FOR DETAILS OF END CROSSFRAMES AND GUSSET PLATES.

★ - INCLUDED WITH EXPANSION JOINT FOR COATING & PAYMENT.

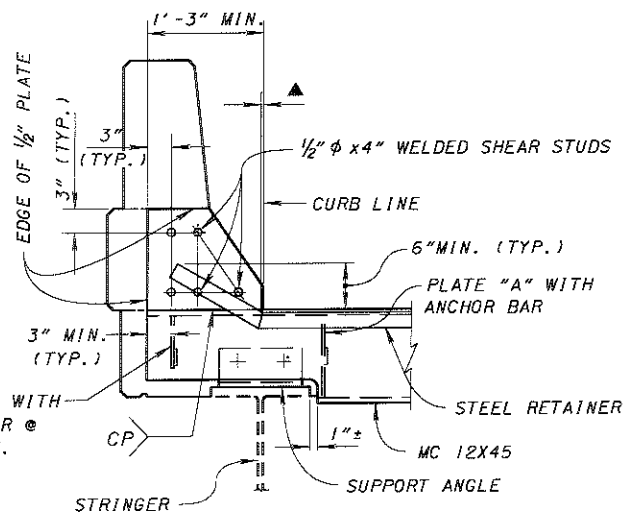
⊙ - FOR CANTILEVERS LESS THAN 2'-6", PLATE "A" MAY BE OMITTED AND THE BOTTOM LEG OF THE CHANNEL MAY BE TRIMMED TO THE END AS SHOWN IN SECTION B-B.



SECTION C-C



SECTION A-A

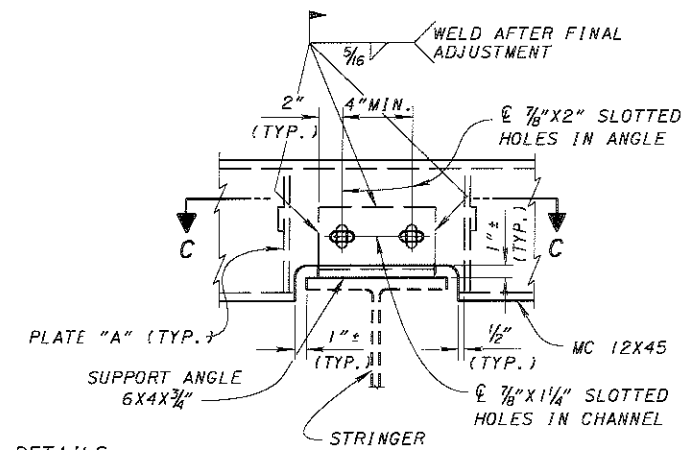


SECTION B-B

▲ - 0" MIN. TO 1/2" MAX. AT BREAKPOINT IN RETAINER FOR SQUARE BRIDGES. ON SKEWED BRIDGES THIS DIMENSION WILL ONLY APPLY TO THE SIDE OF JOINT ASSEMBLY WHICH IS NEAREST TO THE CURB LINE (SEE SHEET 2/5).

SEE SHEET 2/5 FOR SECTION X-X INCLUDING PLATE "A" DETAILS

SEE SHEET 2/5 FOR SECTION Y-Y INCLUDING PLATE "B" DETAILS



DETAIL A