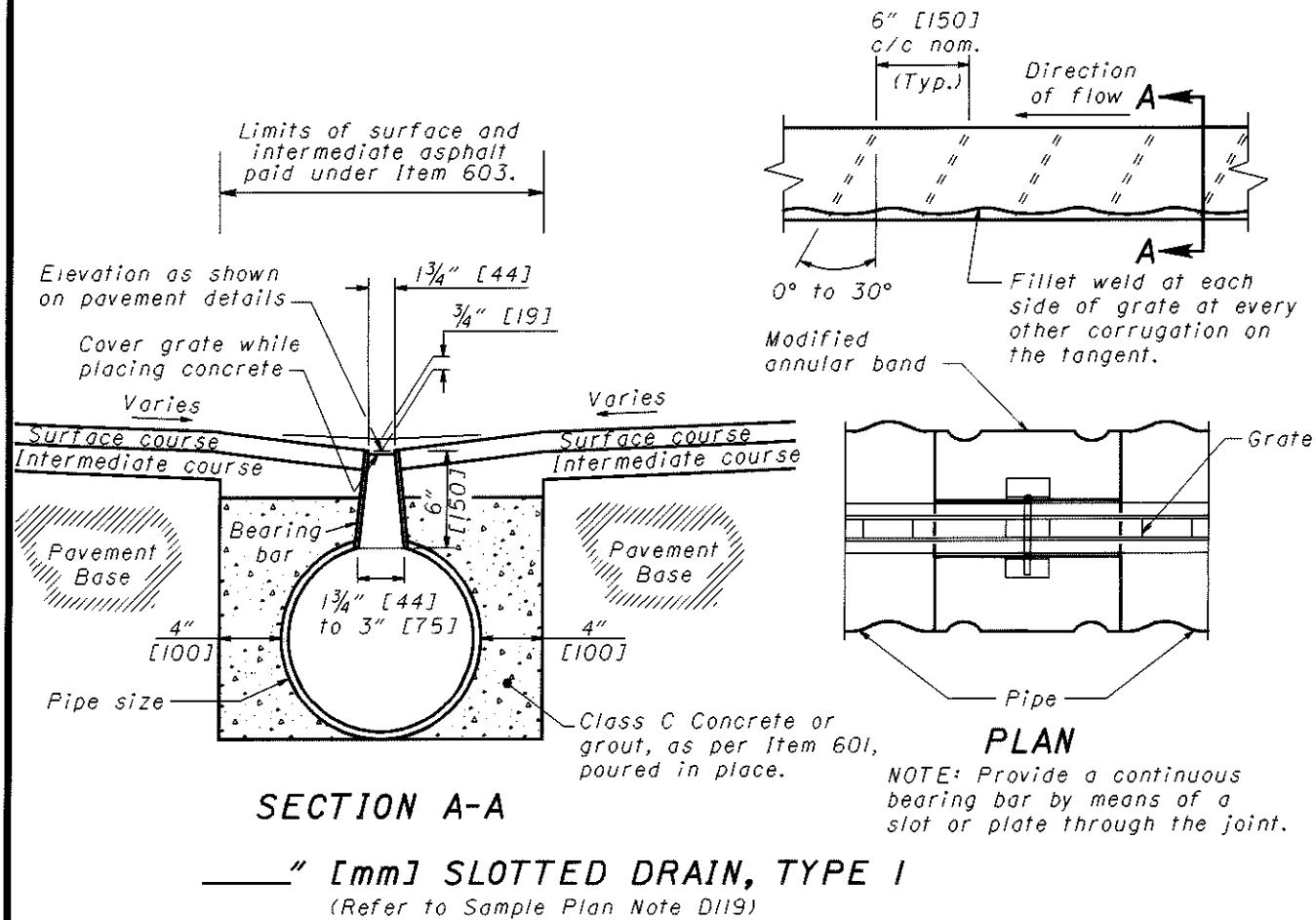
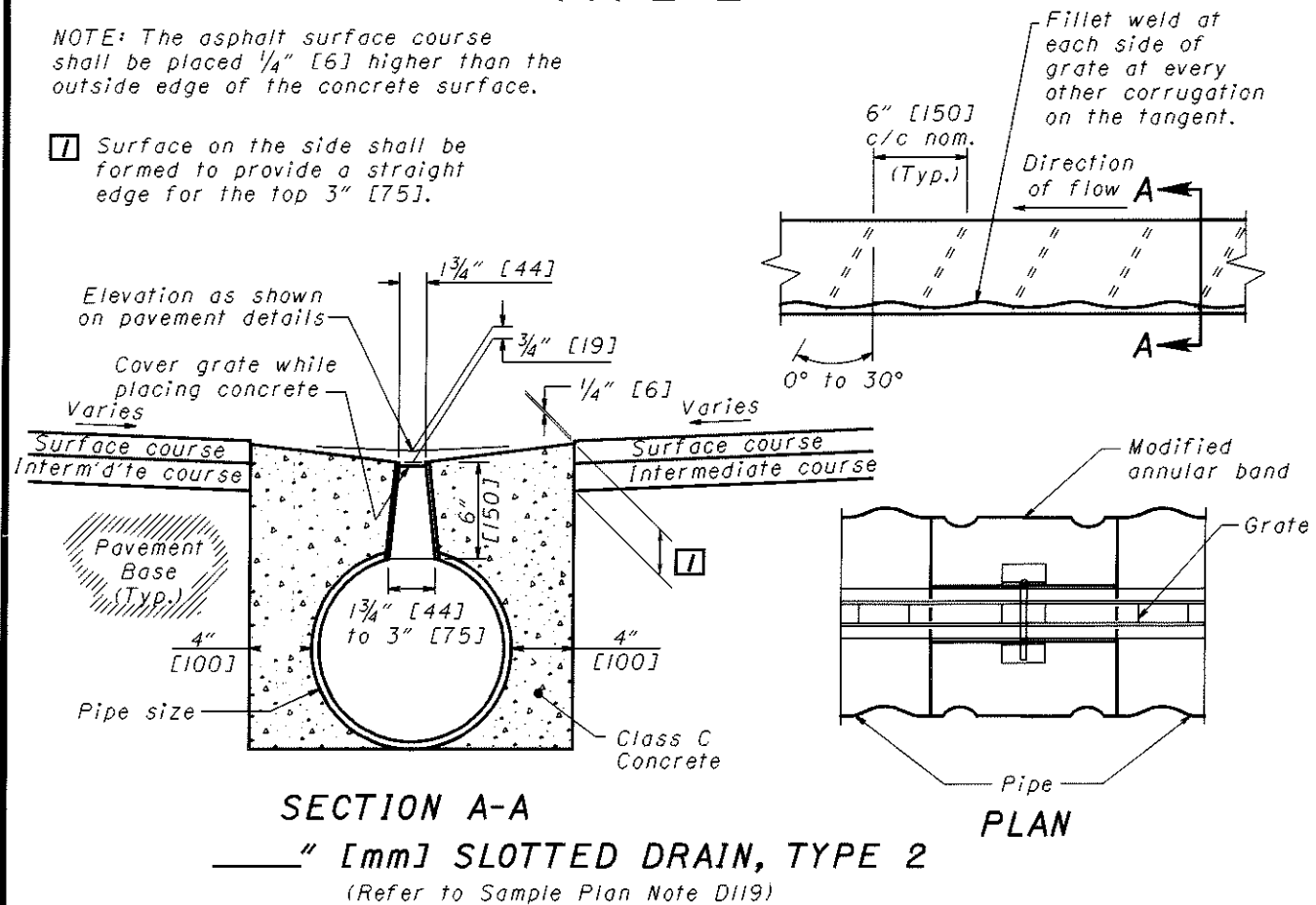


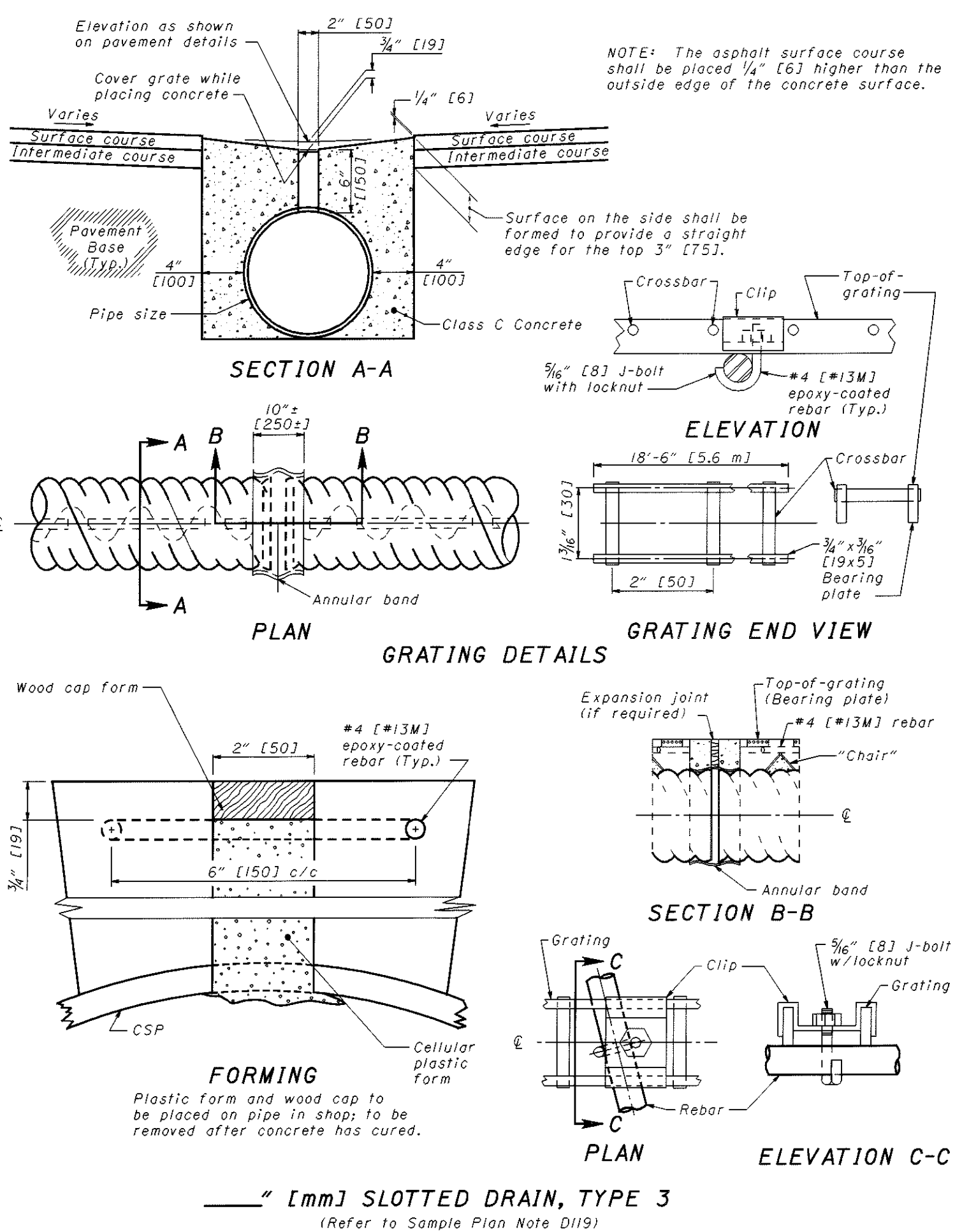
TYPE 1



TYPE 2



TYPE 3



STANDARD ROADWAY CONSTRUCTION DRAWING
 ROADWAY ENGINEERING SERVICES
 SLOTTED DRAINS
 NUMBER DM-1.3
 1/1
 STDS. ENGR. D. Focke
 REVISED BY D. Focke
 DRAWN BY D. Focke
 CHIEF ENGINEER OF TRANSPORTATION
 Highway Department
 7-20-01
 DATE