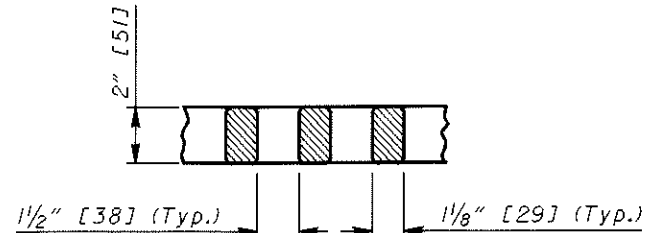
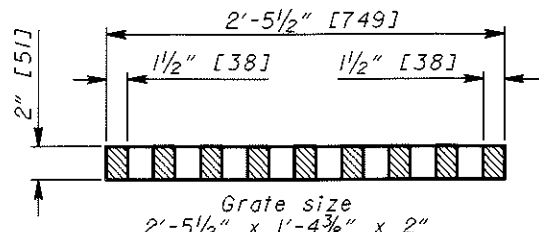


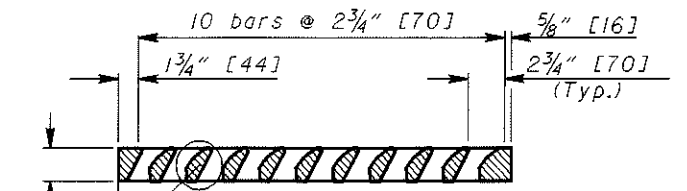
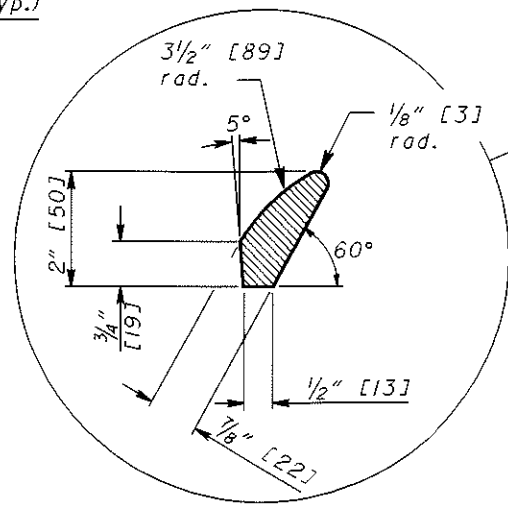
PLAN



SECTION D-D
(See Sht. 1/2.)

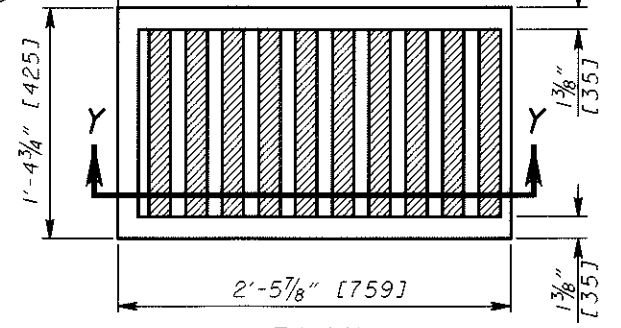


SECTION C-C
DIAGONAL GRATE
(See Sht. 1/2.)

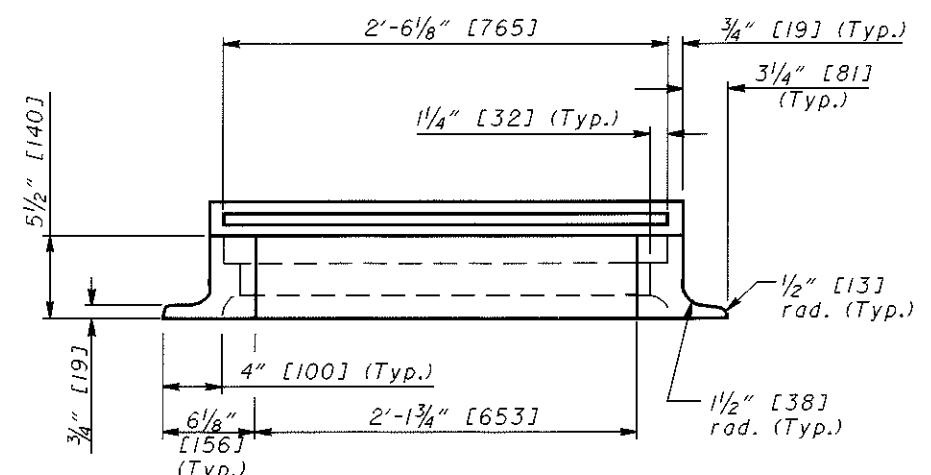


SECTION Y-Y

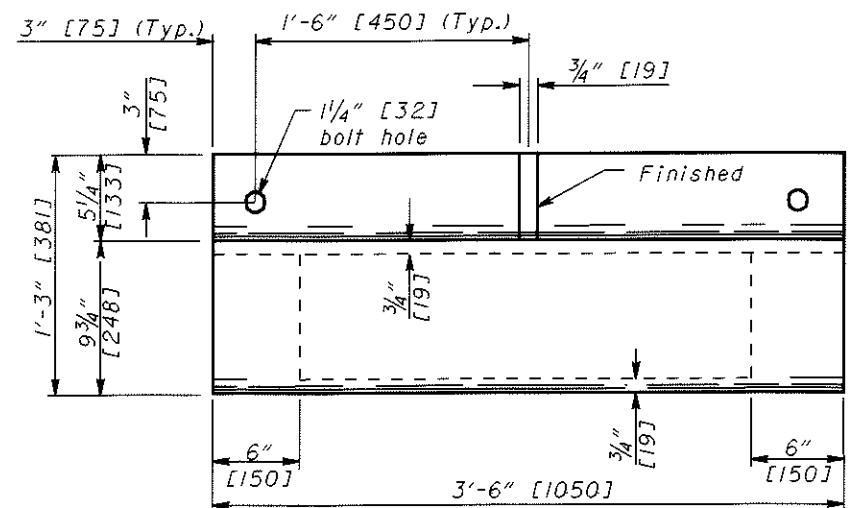
Direction of flow for grate as shown



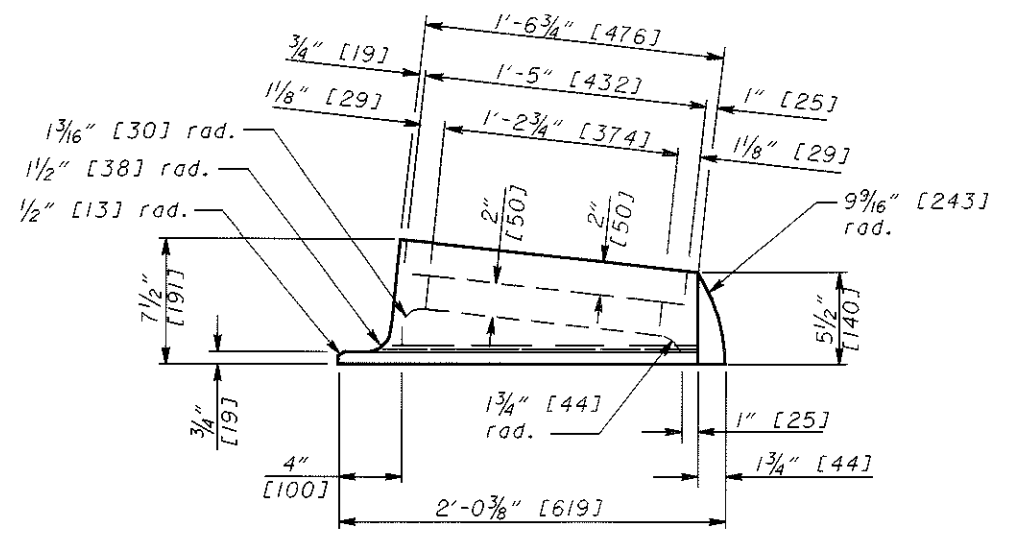
PLAN
GRATE "V"



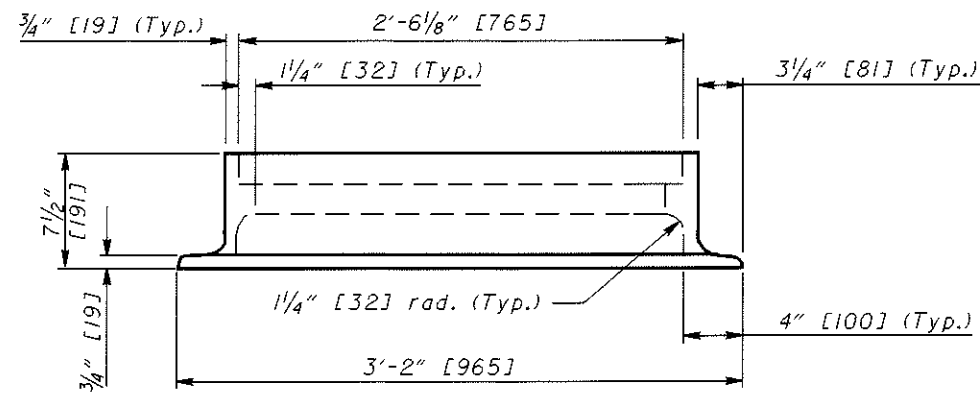
BACK VIEW



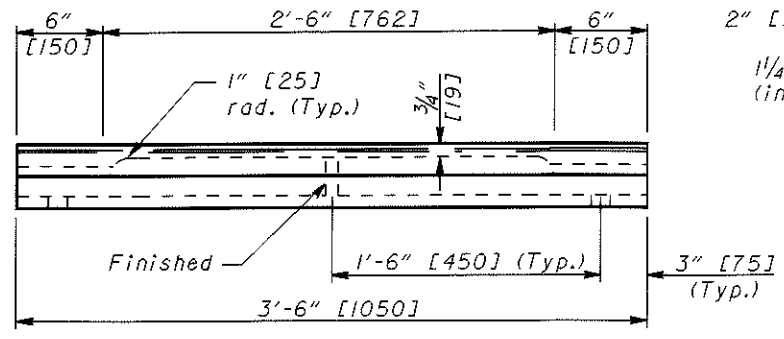
PLAN



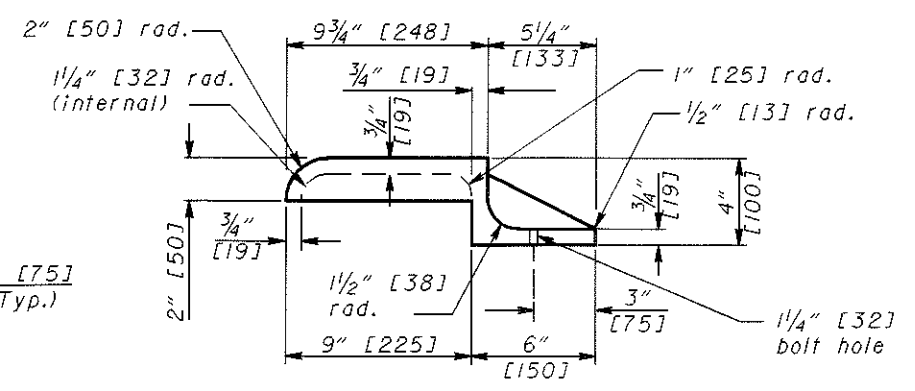
END VIEW FRAME



FRONT VIEW
FRAME



FRONT VIEW
CURB CASTING



END VIEW
CURB CASTING

THIS DRAWING REPLACES CB-2.2M DATED 7-12-95.
 STANDARD ROADWAY CONSTRUCTION DRAWING
CATCH BASIN No. 3A
 NUMBER **CB-2.2**
 2/2
 ROADWAY ENGINEERING SERVICES
 All metric dimensions (in brackets []) are in millimeters unless otherwise noted.
 STDS. ENGR. **D. FOCKE**
 DRAWN **D. FOCKE**
 REVISIONS
 OHIO DEPARTMENT OF TRANSPORTATION
 ROADWAY DESIGN ENGINEER
Ray T. Scharf
 DATE **7-20-01**