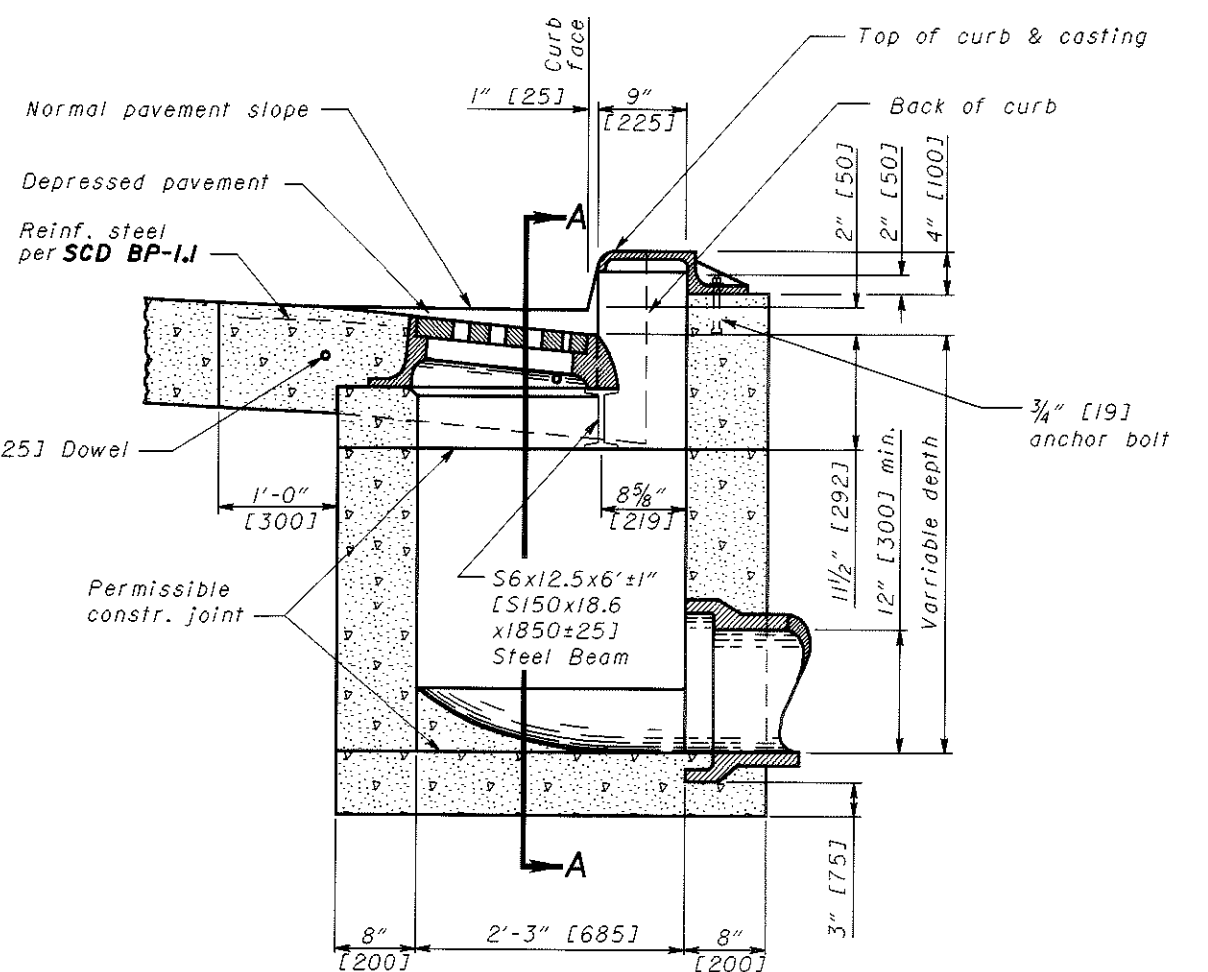


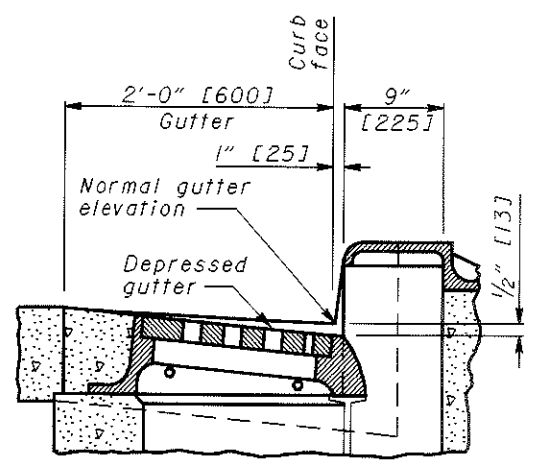
SECTION A-A

The bottom may be precast separately and the outlet pipe placed on top of it with the bottom shaped to drain

1 Dowel location for curb & gutter

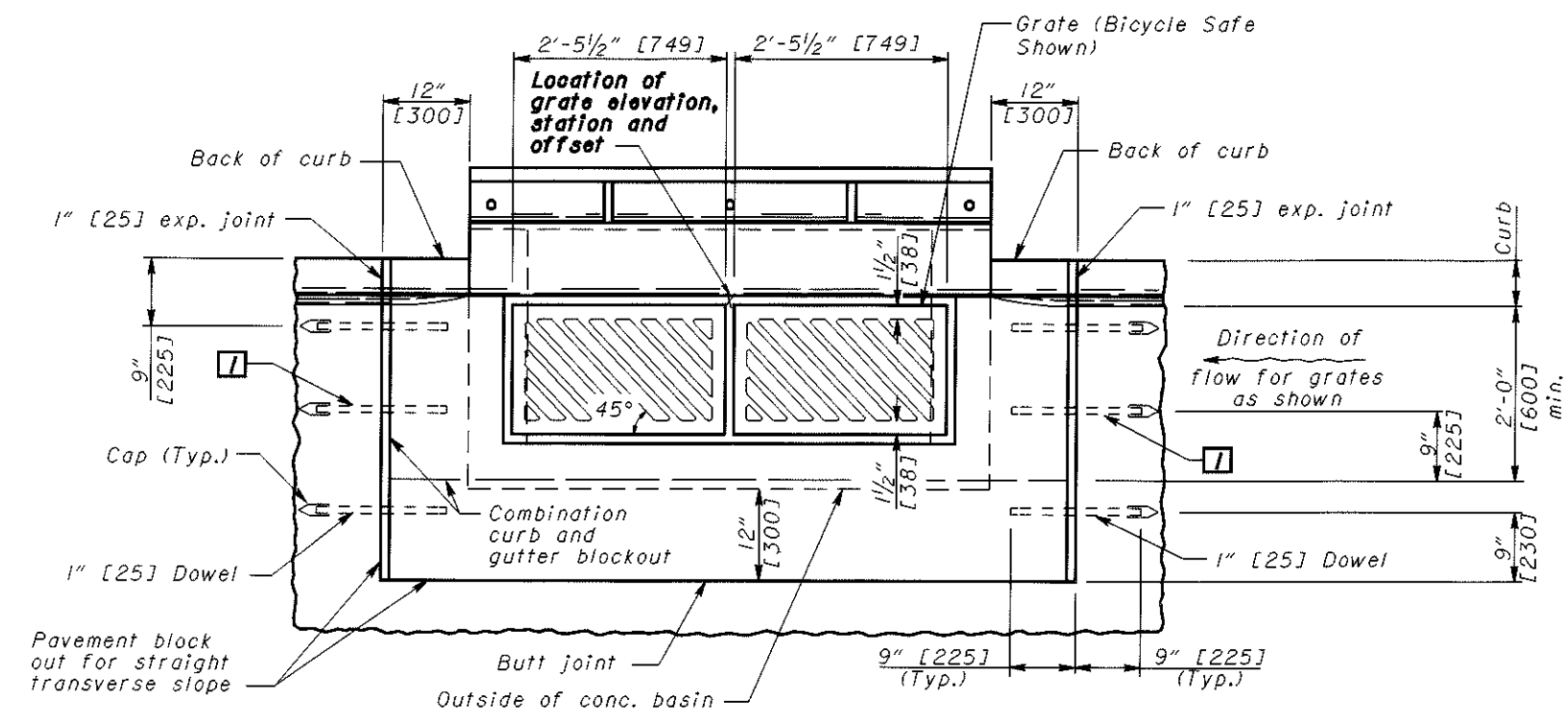


SECTION B-B WITH CURB (2" [50] DEPRESSION)



SECTION B-B WITH CURB & GUTTER (1/2" [13] DEPRESSION)

See Sht. 2/2 for NOTES



PLAN OF CATCH BASIN AND PAVEMENT JOINTS

CATCH BASIN No. 3

THIS DRAWING REPLACES CB-2.IM DATED 7-12-95.  
 STANDARD ROADWAY CONSTRUCTION DRAWING  
 ROADWAY ENGINEERING SERVICES  
 CATCH BASIN No. 3  
 NUMBER CB-2.1  
 1/2  
 STOS. ENGR. D. Focke  
 REVISIONS  
 ALL metric dimensions (in brackets [ ]) are in millimeters unless otherwise noted.  
 D. Focke DRAWN  
 OHIO DEPARTMENT OF TRANSPORTATION  
 Ray F. Eastland  
 ROADWAY DESIGN ENGINEER  
 DATE 7-20-01