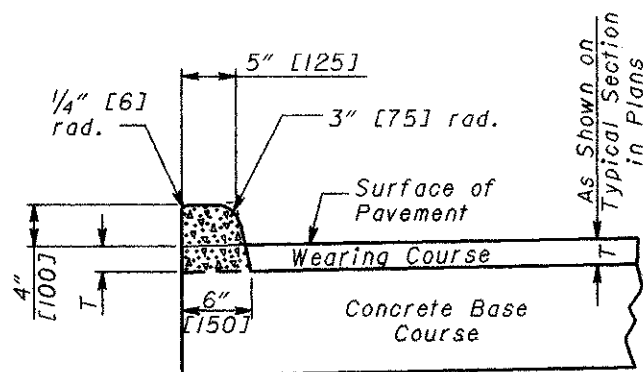
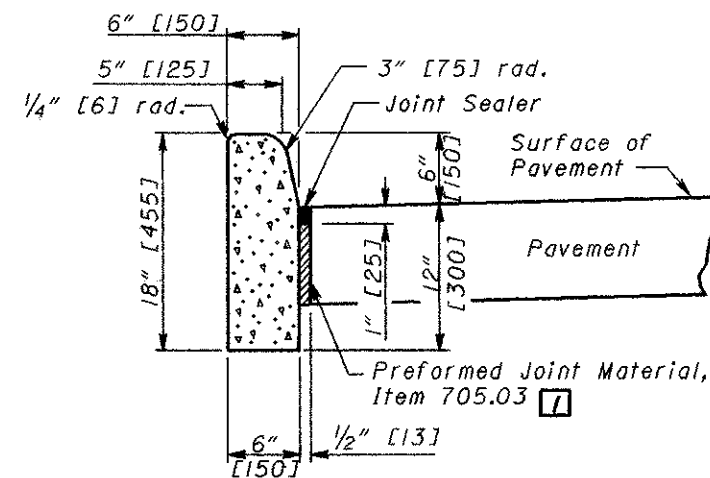


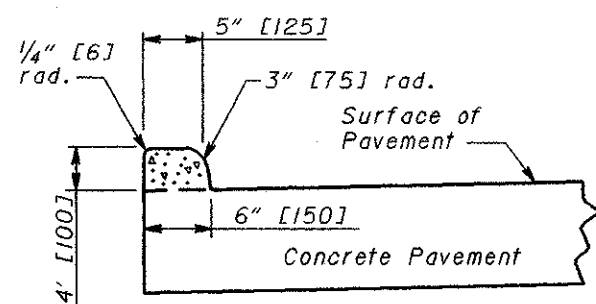
TYPE 4



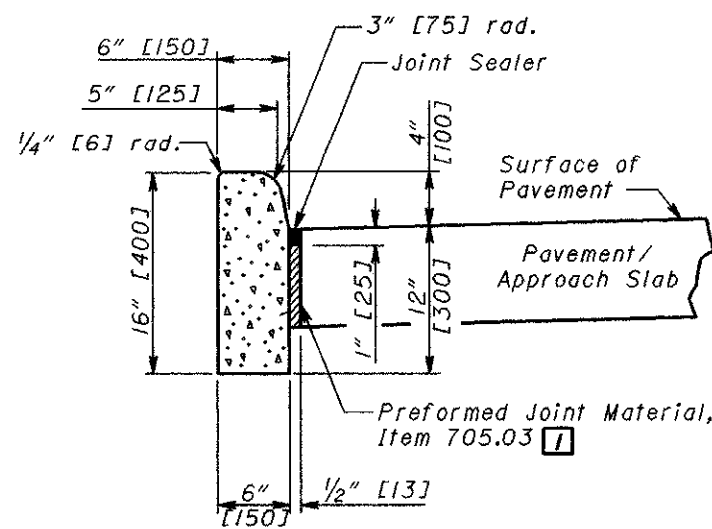
TYPE 4-B



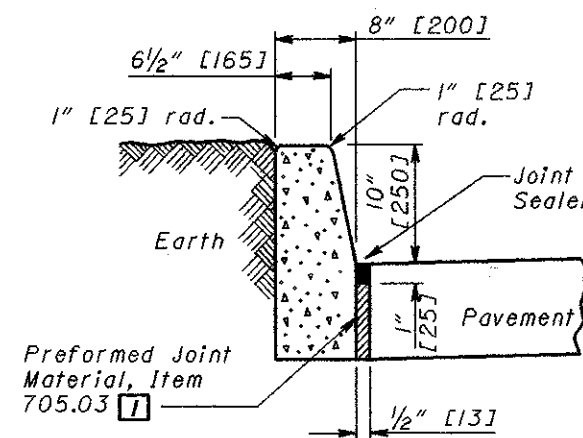
TYPE 6



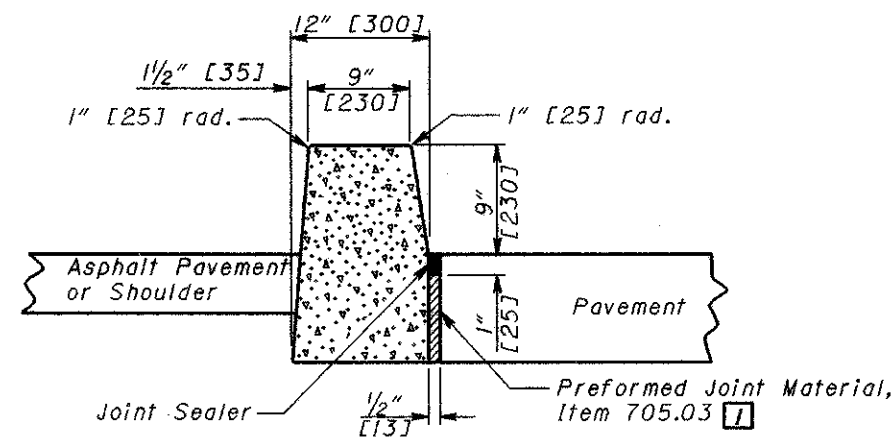
TYPE 4-A



TYPE 4-C



TYPE 7



TYPE 8

See Sheet 1 of 2 for Notes and Legend.

THIS DRAWING REPLACES BP-5.1M DATED 10-28-94.

NUMBER BP-5.1	STANDARD ROADWAY CONSTRUCTION DRAWING CONCRETE CURBS AND COMBINED CURB AND GUTTERS	ROADWAY ENGINEERING SERVICES	All metric dimensions (in brackets []) are in millimeters unless otherwise noted.	STDS. ENGR. M. EVANS	OHIO DEPARTMENT OF TRANSPORTATION
				DRAWN D. Focke	REVISIONS <i>Scott J. Seibel</i> ROADWAY DESIGN ENGINEER
2	2				DATE