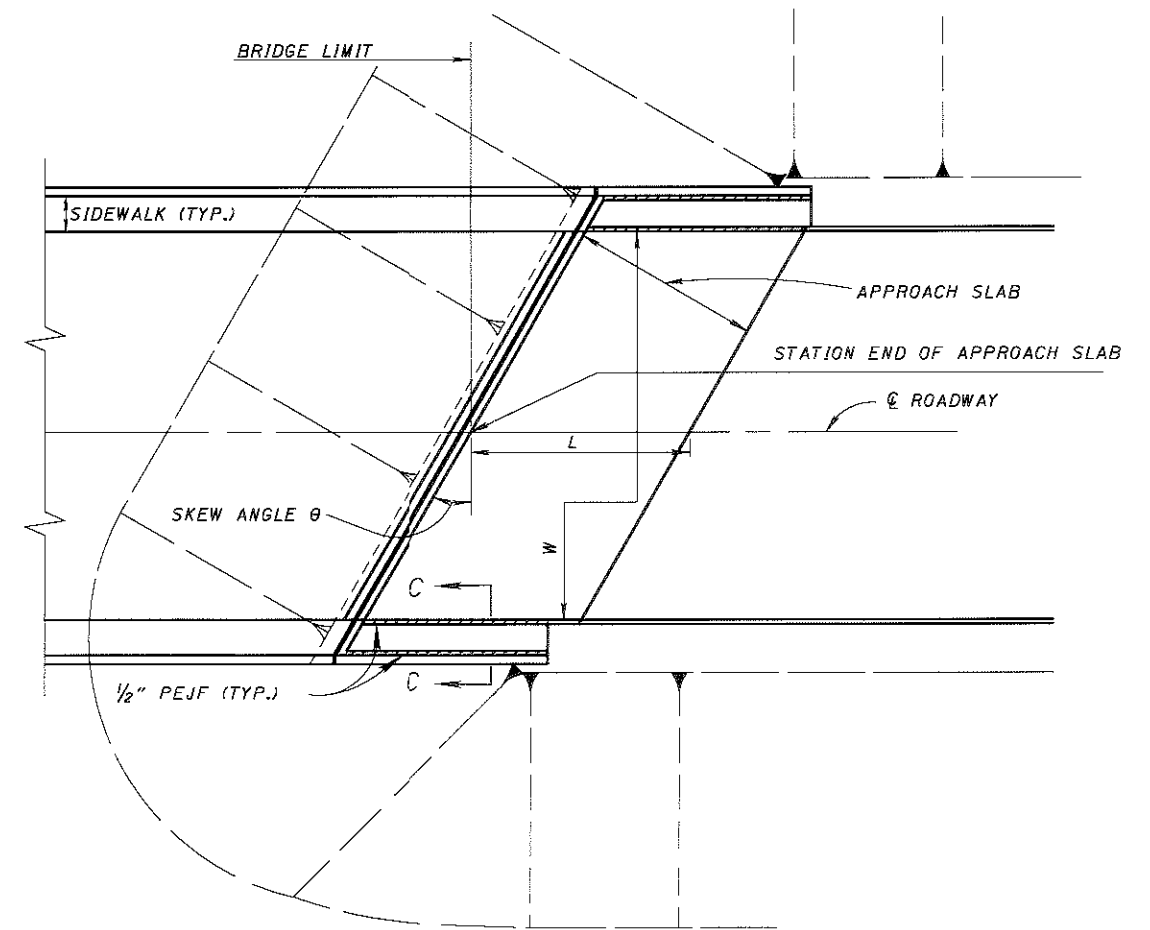
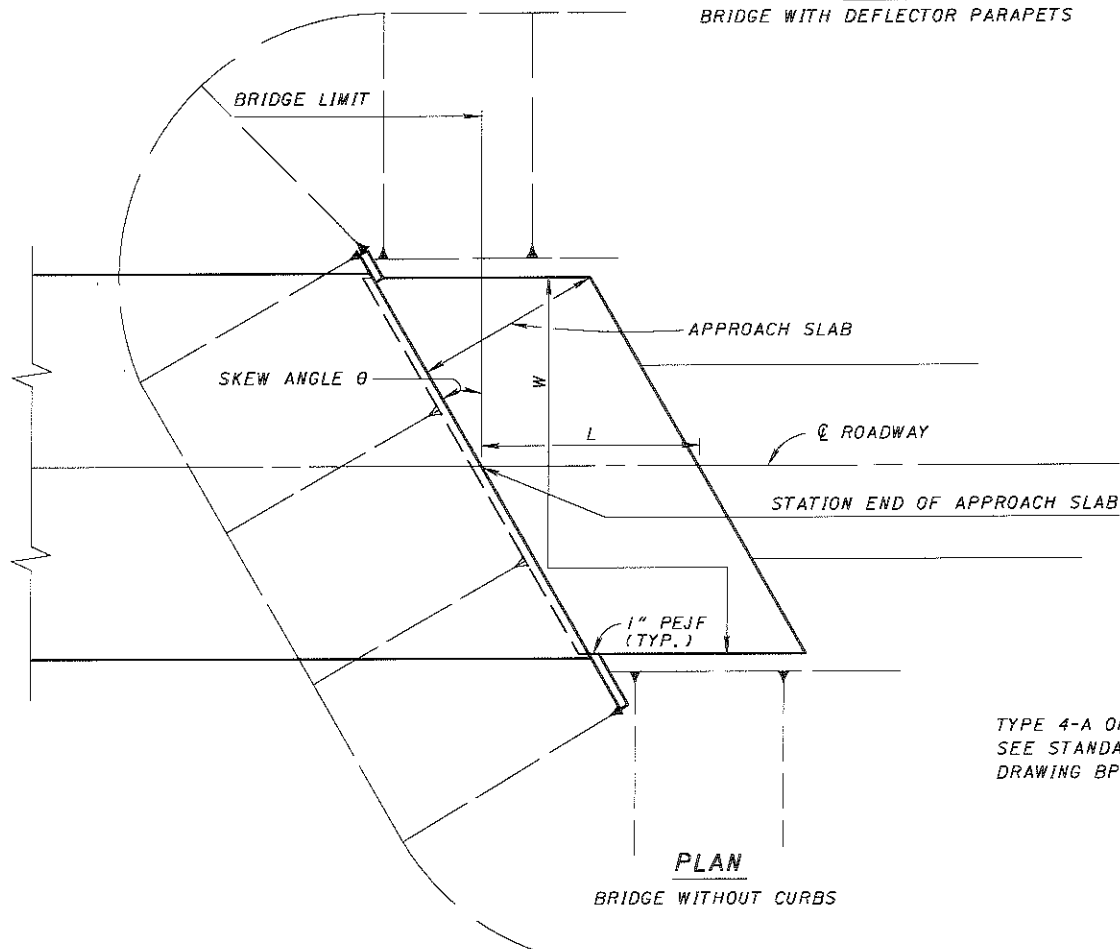


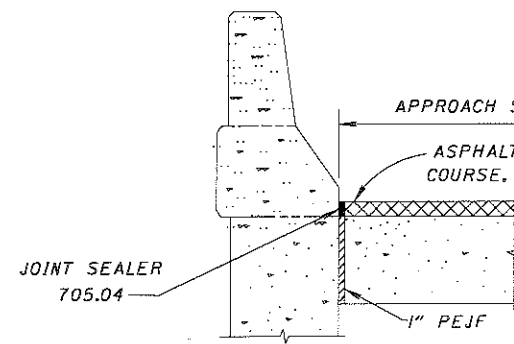
PLAN
BRIDGE WITH DEFLECTOR PARAPETS



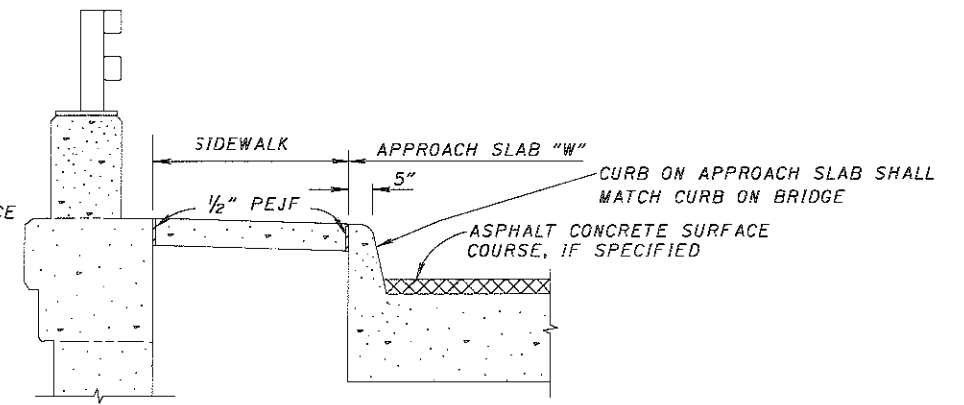
PLAN
BRIDGE WITH SIDEWALKS



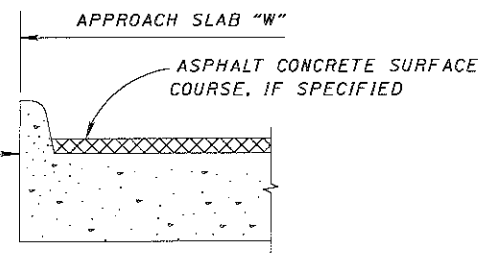
PLAN
BRIDGE WITHOUT CURBS



SECTION A-A



SECTION C-C



SECTION B-B

TYPE 4-A OR TYPE 4-B CURB
SEE STANDARD CONSTRUCTION
DRAWING BP-5.1

LEGEND

W = APPROACH SLAB WIDTH, OUT TO OUT, IN FEET.

L = APPROACH SLAB LENGTH.

PEJF = PREFORMED EXPANSION JOINT FILLER.