

REINFORCING STEEL BAR SCHEDULE

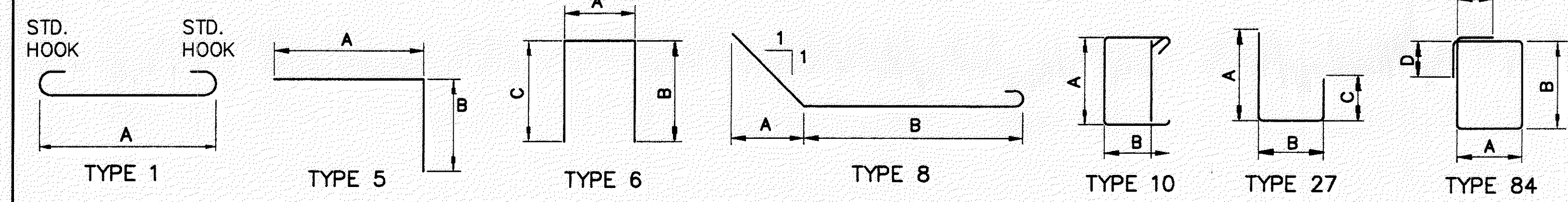
ABUTMENTS													
MARK	REAR ABUTMENT	FORWARD ABUTMENT	TOTAL NUMBER	LENGTH	WEIGHT *	TYPE	A	B	C	D	E	H	INC.
A501	14	15	29	8'-4"	252	6	5'-5"	1'-7"	1'-7"				
A502	14	-	14	10'-6"	144	5	9'-9"	10"					
A503	36	13	49	6'-8"	341	6	3'-5"	1'-6"	2'-0"				
A504	22	24	46	11'-8"	560	10	2'-7"	3'-0"					
A505	2	-	2	15'-10"	33	STR.							
A506	2	-	2	10'-3"	21	STR.							
A507	6	-	6	22'-11"	143	STR.							
A508	6	-	6	5'-0"	31	STR.							
A509	15	13	28	30'-0"	876	STR.							
A510	9	-	9	25'-4"	238	STR.							
A511	5	-	5	26'-7"	139	STR.							
A512	1	-	1	13'-6"	14	STR.							
A513	6	6	12	6'-3"	78	STR.							
A514	10	-	10	12'-10"	134	STR.							
A515	2	-	2	12'-5"	26	STR.							
A516	28	-	28	18'-3"	533	STR.							
A517	12	12	24	3'-4"	83	STR.							
A518	27	22	49	9'-9"	498	6	6"	4'-9"	4'-9"				
A519	12	-	12	13'-1"	136	STR.							
A520	2	-	2	12'-8"	26	STR.							
A521	17	-	17	9'-2"	163	6	3'-5"	3'-0"	3'-0"				
A522	-	4	4	13'-0"	54	STR.							
A523	-	2	2	8'-8"	18	5	7'-11"	10"					
A524	-	9	9	8'-5"	79	5	7'-8"	10"					
A525	-	6	6	3'-11"	25	STR.							
A526	-	6	6	16'-0"	100	STR.							
A527	-	5	5	27'-5"	143	STR.							
A528	-	7	7	26'-1"	190	STR.							
A529	-	1	1	14'-0"	15	STR.							
A530	-	16	16	9'-8"	161	STR.							
A531	-	2	2	9'-1"	19	STR.							
A532	-	28	28	14'-6"	423	STR.							
A533	-	2	2	8'-4"	17	STR.							
A534	-	23	23	4'-10"	116	6	3'-5"	10"	10"				
A535	18	14	32	4'-0"	134	1	2'-10"						
A601	14	-	14	17'-9"	373	27	9'-9"	5'-6"	2'-9"				
A602	54	20	74	9'-2"	1019	6	1'-5"	4'-0"	4'-0"				
A603	42	42	84	6'-10"	862	6	1'-5"	2'-10"	2'-10"				
A604	42	42	84	7'-8"	967	6	11"	3'-6"	3'-6"				
A605	34	-	34	3'-10"	196	STR.							
A606	5	-	5	7'-8"	58	STR.							
A607	5	-	5	7'-11"	59	STR.							
A608	12	13	25	5'-3"	197	5	3'-11"	1'-5"					
A609	12	13	25	6'-1"	228	5	4'-11"	1'-3"					
A610	17	17	34	2'-6"	128	STR.							

ABUTMENTS													
MARK	REAR ABUTMENT	FORWARD ABUTMENT	TOTAL NUMBER	LENGTH	WEIGHT *	TYPE	A	B	C	D	E	H	INC.
A611	13	10	23	13'-5"	464	6	1'-2"	6'-3"	6'-3"				
A612	2	2	4	11'-5"	69	6	1'-2"	5'-3"	5'-3"				
A613	2	4	6	12'-5"	112	6	6"	6'-1"	6'-1"				
A614	16	-	16	11'-10"	284	STR.							
A615	8	-	8	11'-0"	132	STR.							
A616	2	1	3	8'-11"	40	6	1'-2"	4'-0"	4'-0"				
A617	2	2	4	7'-5"	45	6	1'-2"	3'-3"	3'-3"				
A618	6	6	12	7'-1"	128	6	1'-2"	3'-1"	3'-1"				
A619	8	-	8	4'-1"	49	STR.							
A620	14	-	14	12'-0"	252	STR.							
A621	4	-	4	12'-5"	75	STR.							
A622	-	2	2	15'-11"	48	27	7'-11"	5'-6"	2'-9"				
A623	-	9	9	15'-8"	212	27	7'-8"	5'-6"	2'-9"				
A624	-	1	1	5'-11"	9	STR.							
A625	-	23	23	2'-10"	98	5	1'-11"	12"					
A626	-	23	23	4'-0"	138	STR.							
A627	-	23	23	3'-10"	132	5	2'-11"	12"					
A628	-	32	32	6'-10"	328	6	1'-5"	2'-10"	2'-10"				
A629	-	1	1	5'-7"	8	STR.							
A630	6	4	10	10'-3"	154	84	1'-8"	2'-10"	12"	12"			
A631	4	2	6	4'-4"	39	5	2'-10"	1'-7"					
A632	-	2	2	4'-0"	12	5	2'-6"	1'-7"					
A633	-	2	2	6'-6"	20	6	1'-7"	2'-7"	2'-7"				
A634	-	12	12	9'-11"	179	STR.							
A635	-	4	4	9'-3"	56	STR.							
A636	-	12	12	9'-5"	170	STR.							
A637	-	4	4	8'-10"	53	STR.							
A638	-	1	1	8'-7"	13	6	1'-2"	3'-10"	3'-10"				
A801	14	8	22	4'-3"	250	STR.							
A802	8	-	8	20'-0"	427	STR.							
A803	6	-	6	15'-8"	251	STR.							
A804	4	-	4	10'-3"	109	STR.							
A805	2	-	2	9'-8"	52	STR.							
A806	-	8	8	16'-0"	342	STR.							
A807	-	6	6	12'-3"	196	STR.							
A808	-	1 SERIES OF 4	1 SERIES OF 4	12'-5" 12'-11"	135	STR.							VARY BY 2"
A809	-	1	1	12'-5"	33	STR.							
A810	-	1	1	12'-11"	35	STR.							
A901	10	10	20	4'-2"	283	5	2'-10"	1'-7"					
A902	4	4	8	3'-5"	93	STR.							
D801	28	28	56	4'-6"	673	8	1'-0"	3'-6"					

ABUTMENTS TOTAL WEIGHT = 16,248 LBS.

* ESTIMATED REINFORCING STEEL WEIGHT INCLUDED FOR INFORMATIONAL PURPOSES ONLY.

NOTES: 1. THE BAR SIZE NUMBER IS SPECIFIED ON THE PLANS IN THE BAR MARK COLUMN. THE FIRST DIGIT WHERE THREE DIGITS ARE USED, AND THE FIRST TWO DIGITS WHERE FOUR ARE USED, INDICATE THE BAR SIZE NUMBER. FOR EXAMPLE, A700 IS A NO. 7 AND A1014 IS A NO. 10 SIZE. BAR DIMENSIONS SHOWN ARE OUT TO OUT, UNLESS OTHERWISE INDICATED. "STD." WRITTEN IN PLACE OF A DIMENSION INDICATES A STANDARD BEND AT THE END OF THE BAR.



ALL REINFORCING STEEL TO BE EPOXY COATED.

H:\CT\97125\BRIDGE\9712523.DWG - PLOT SCALE 1:48

Engineers • Architects • Planners

REVIEWED
J.E.A. 10/26/01
DATE
10/26/01

DRAWN
R.R.C.
STRUCTURE FILE NUMBER
4304055

DESIGNED
R.R.C.
CHECKED
J.P.R.

REINFORCING SCHEDULE

BRIDGE NUMBER LAK-90-0945

S.R. 615 OVER INTERSTATE 90

LAK-IR90/SR615-

9.26/1.51

40 / 41

361
393