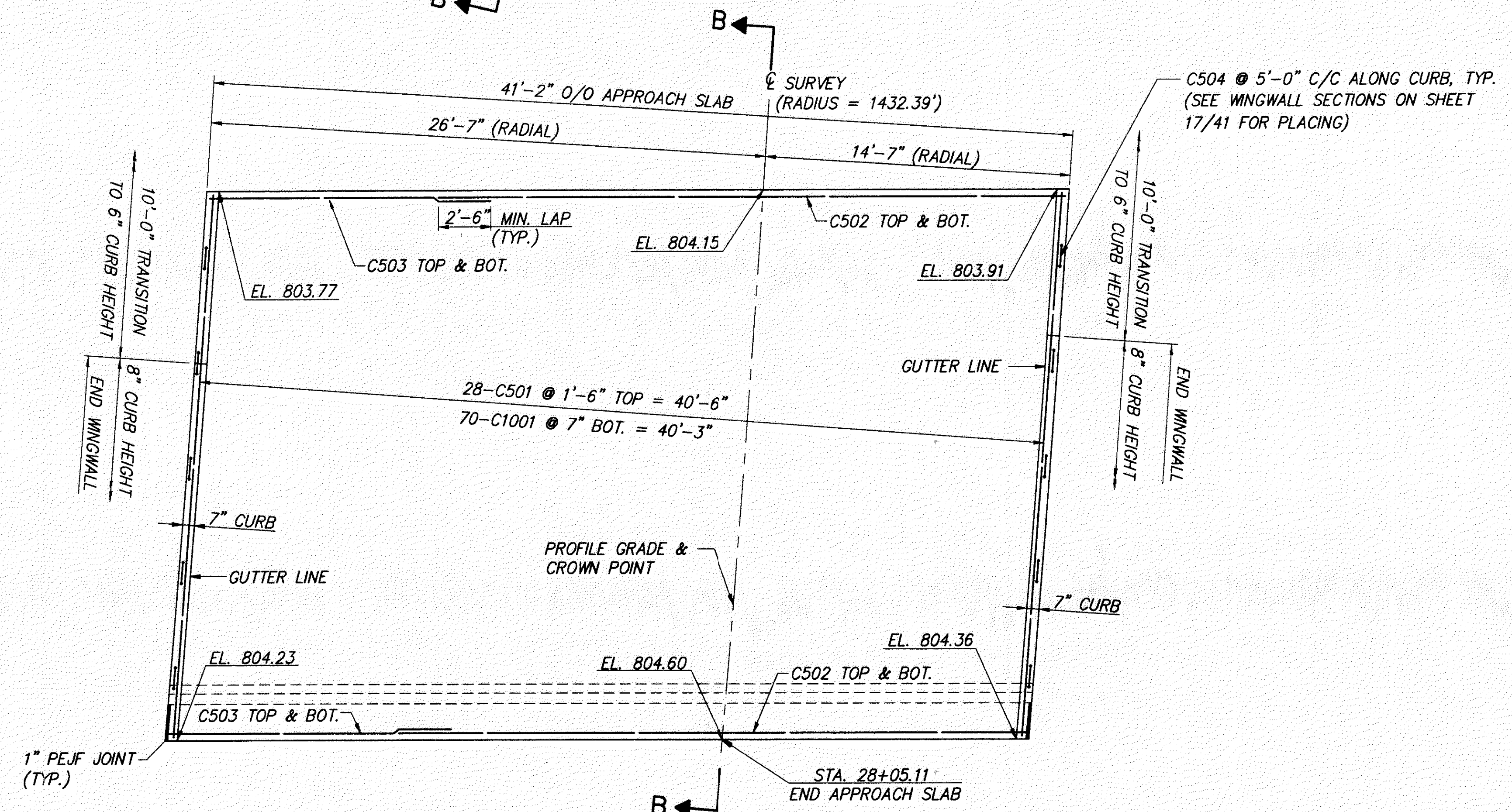
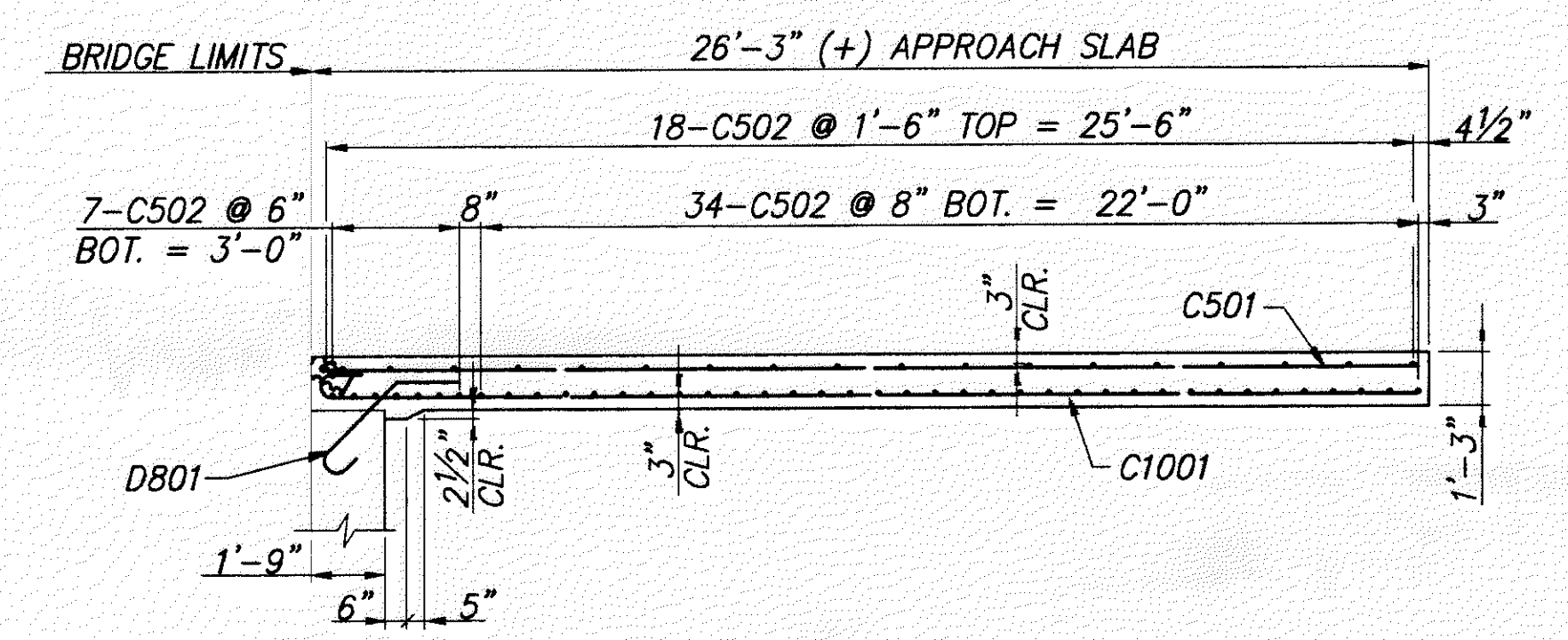


**FORWARD APPROACH SLAB PLAN**



**REAR APPROACH SLAB PLAN**



**SECTION B-B**

- NOTES:
1. SEE ODOT STANDARD DRAWING AS-1-81 FOR ADDITIONAL INFORMATION.
  2. FOR APPROACH SLAB TRANSVERSE SECTION, SEE ROADWAY PLANS.
  3. CONCRETE FOR THE APPROACH SLABS SHALL BE CLASS S CONCRETE.
  4. APPROACH SLABS SHALL BE INCLUDED FOR PAYMENT ONLY IN ITEM 611 - REINFORCED CONCRETE APPROACH SLAB (T=15"), AS PER PLAN. THE ESTIMATED SQUARE YARD QUANTITY IS CARRIED TO THE PAVEMENT SUMMARY SHEET IN THE ROADWAY PLANS.
  5. FOR REAR ABUTMENT PLAN AND DETAILS, SEE SHEETS 16/41 AND 17/41; FOR FORWARD ABUTMENT PLAN AND DETAILS, SEE SHEETS 19/41 AND 20/41.
  6. NOTATION: BOT.-BOTTOM; TYP.-TYPICAL; CLR.-CLEAR; PEJF-PREFORMED EXPANSION JOINT FILLER; MIN.-MINIMUM.

H:\CT\97125\BRIDGE\97125.DWG PLOT SCALE 1:48