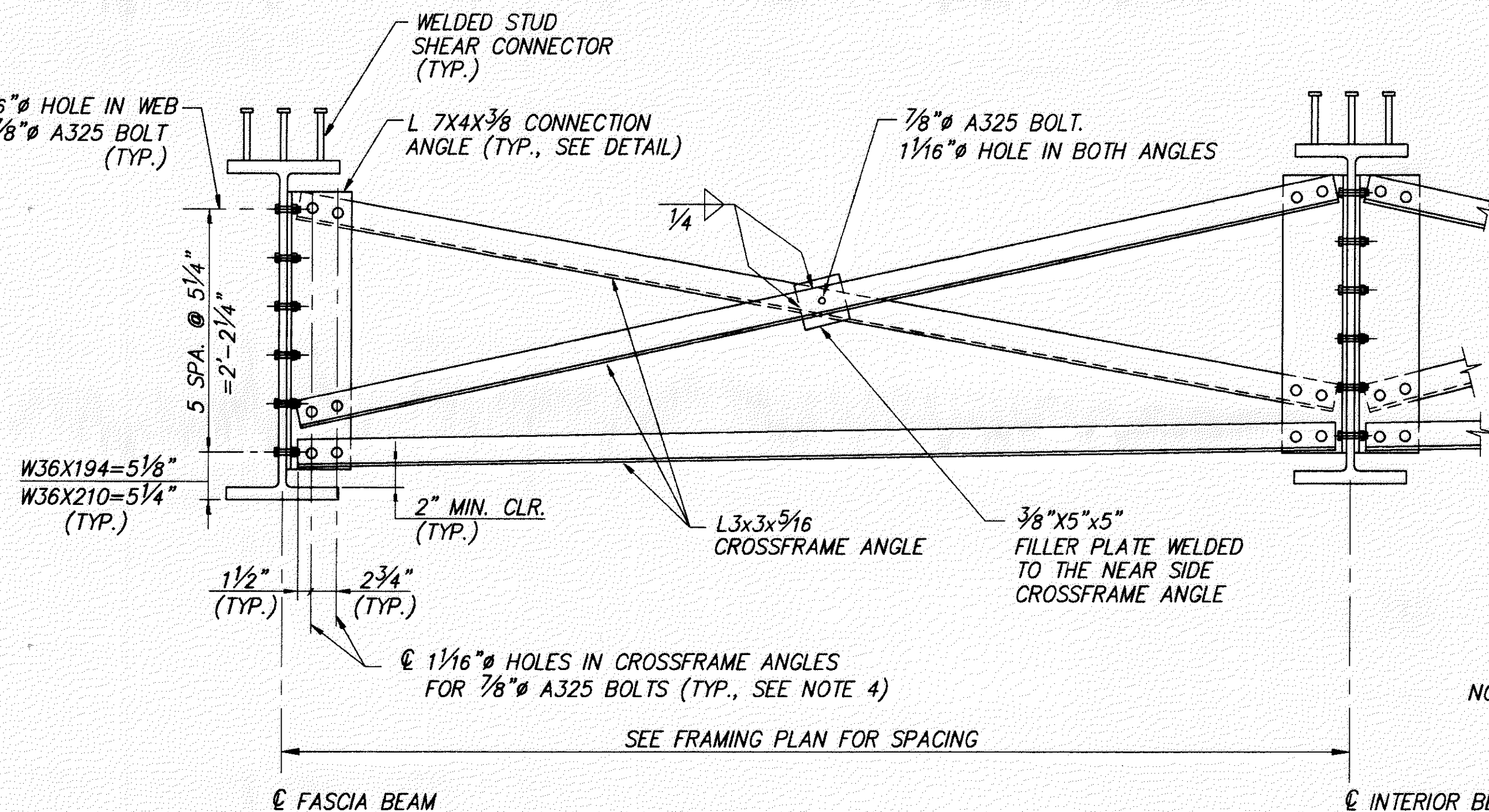
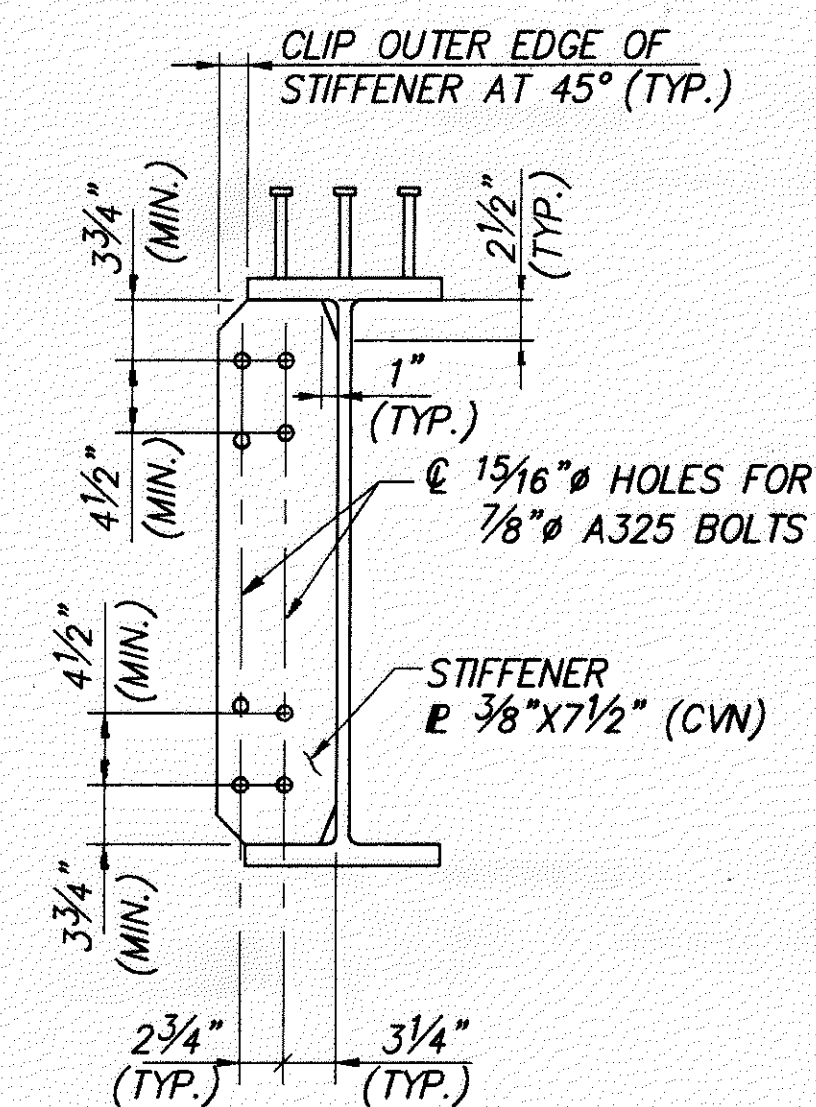


INTERMEDIATE CROSSFRAME TYPE 4A DETAIL

(INTERMEDIATE CROSSFRAMES MARKED THUS ϕ ON FRAMING PLAN AND LOCATED AT BOTH SIDES OF FIELD SPLICES #1 AND #2)

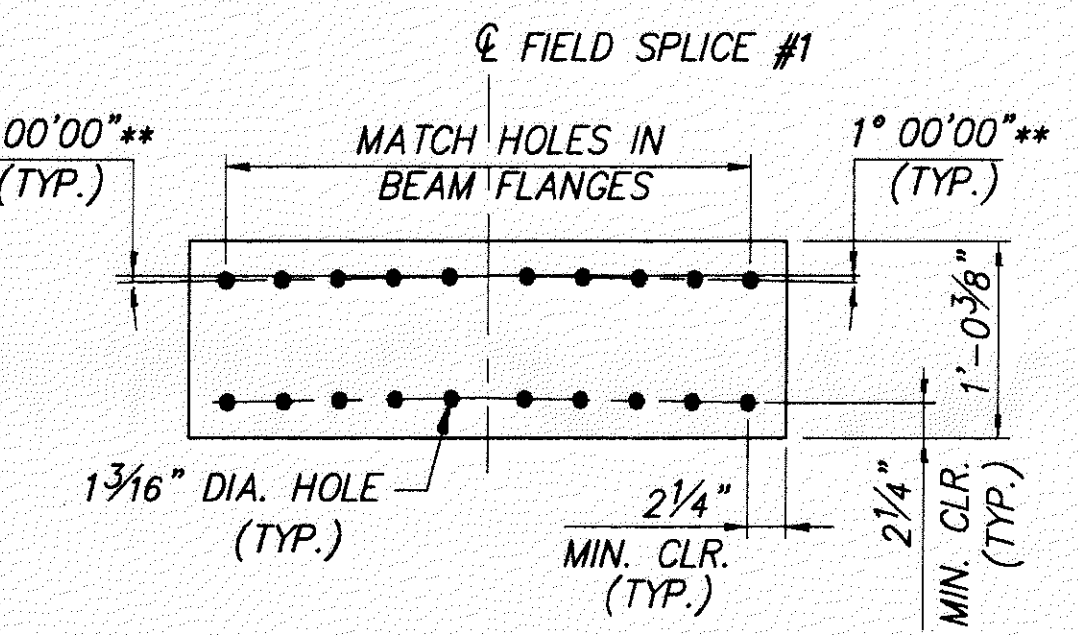
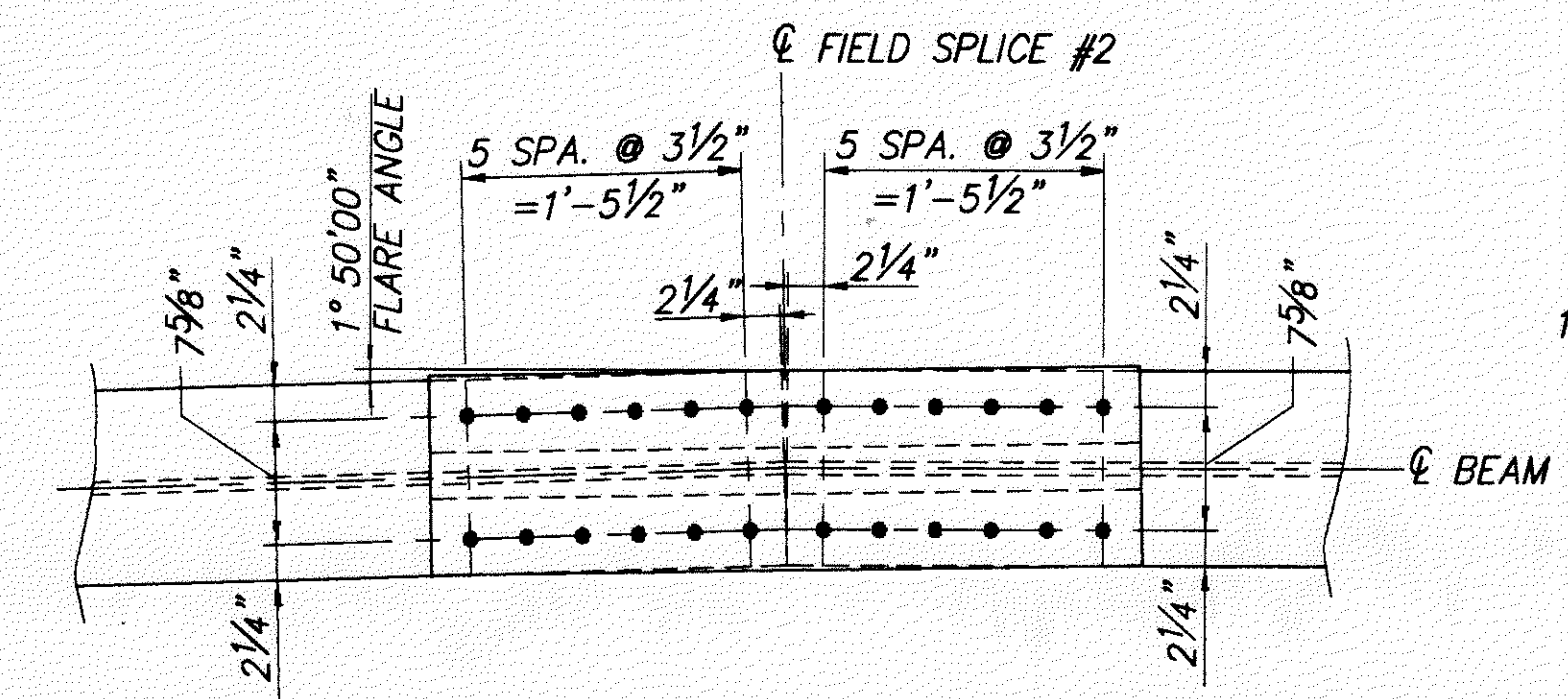
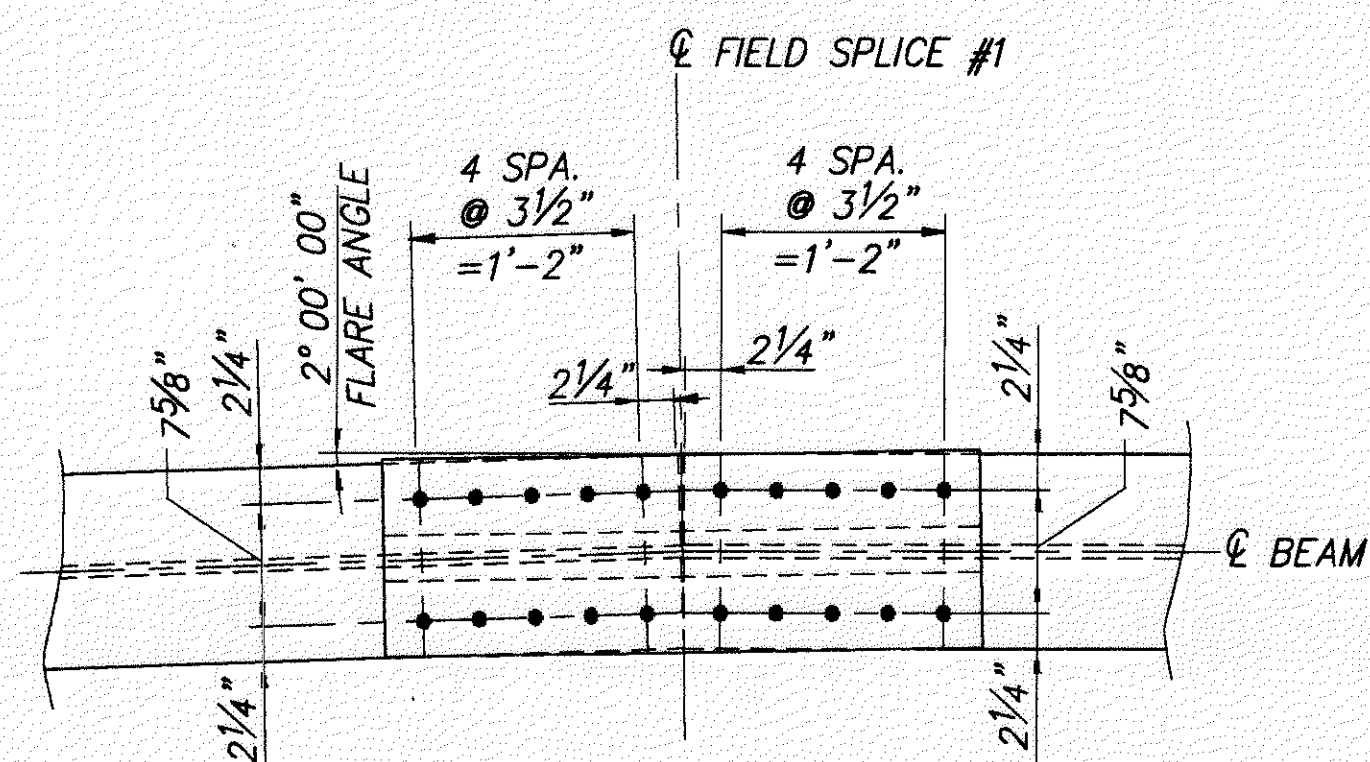


INTERMEDIATE CROSSFRAME TYPE 2 DETAIL

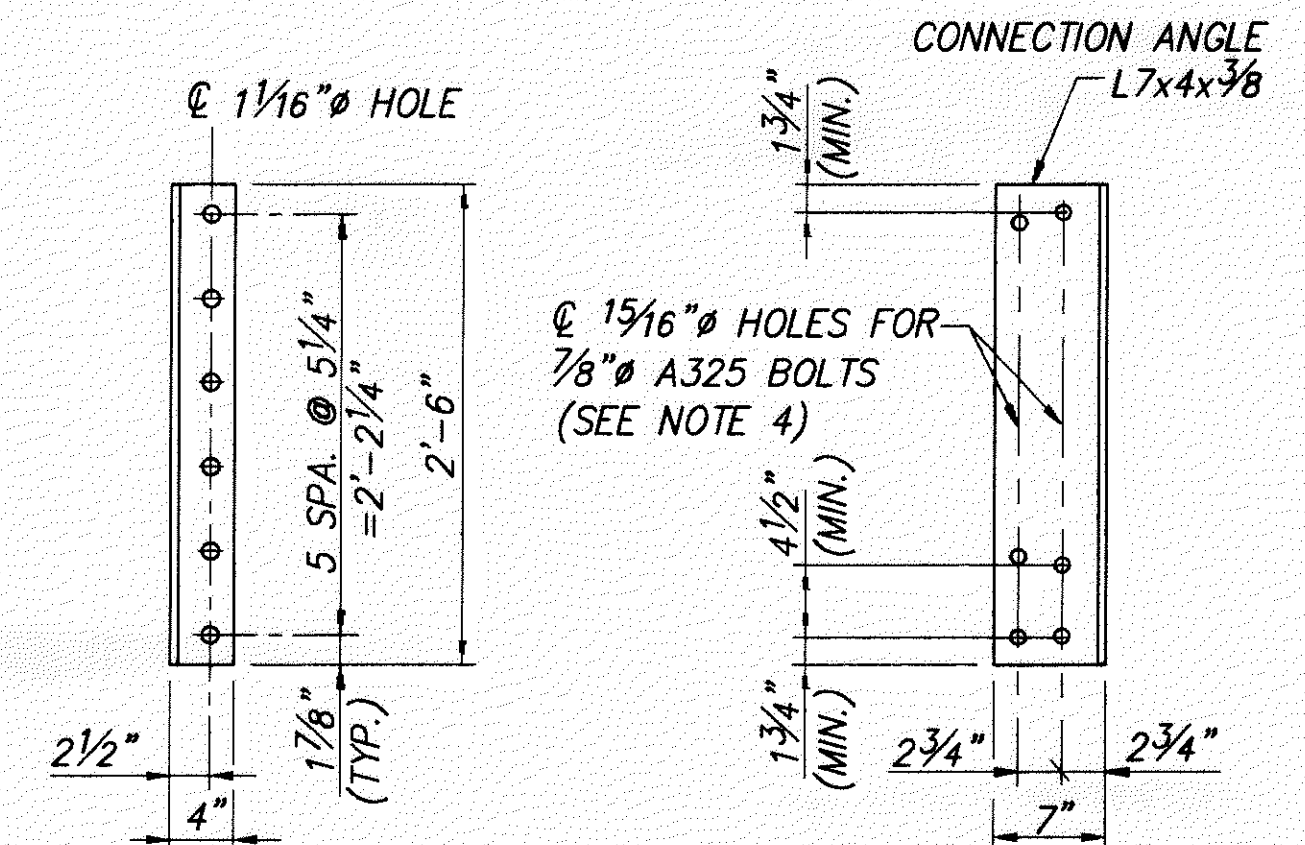


NOTE: FOR STIFFENER WELDS, SEE ODOT STD. DWG. GSD-1-96 SHEET 2 OF 3.

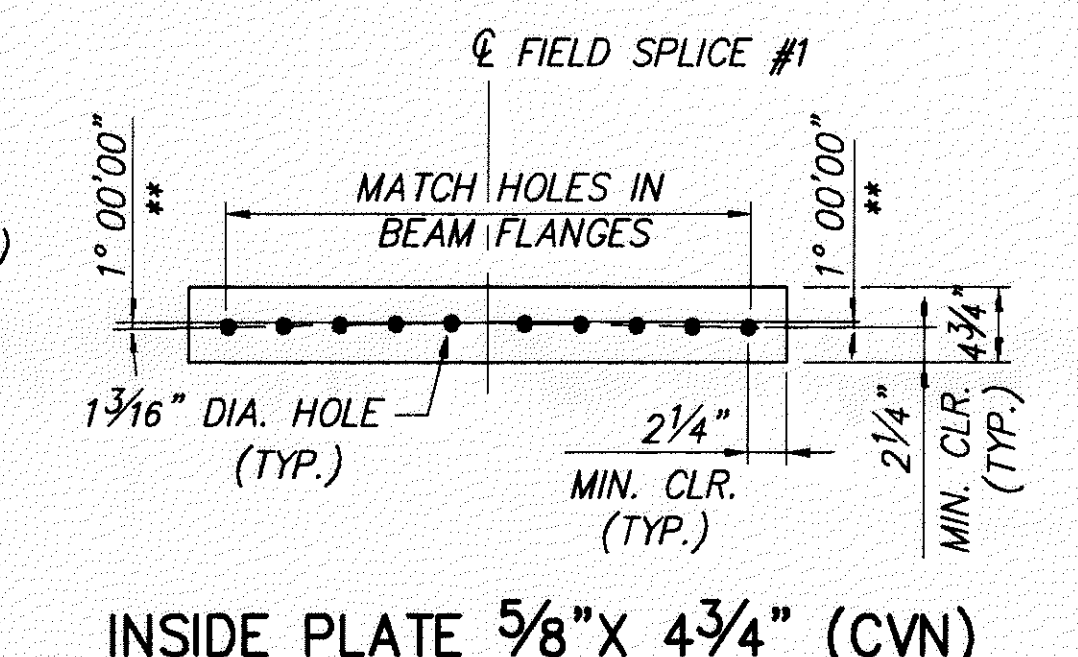
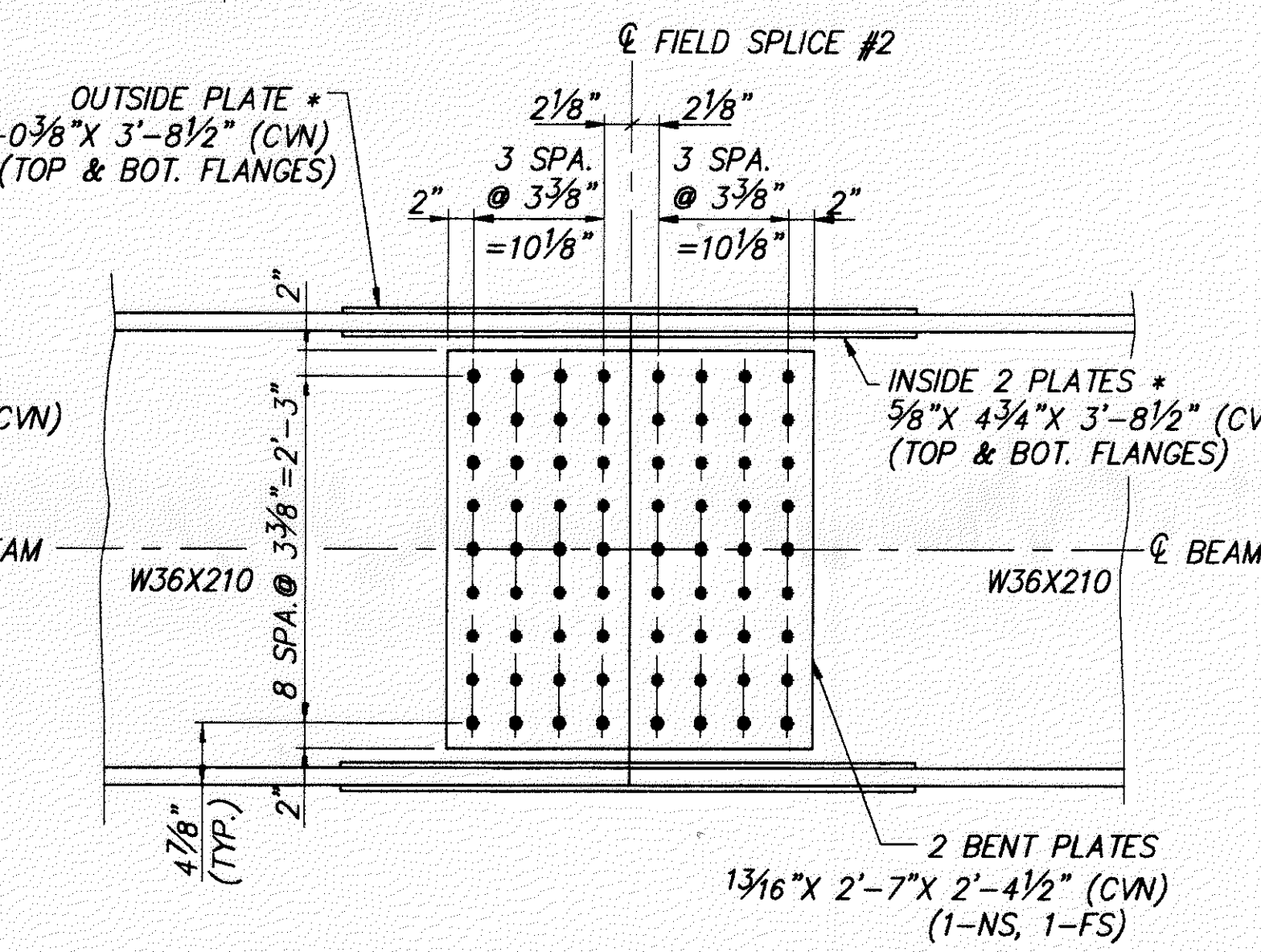
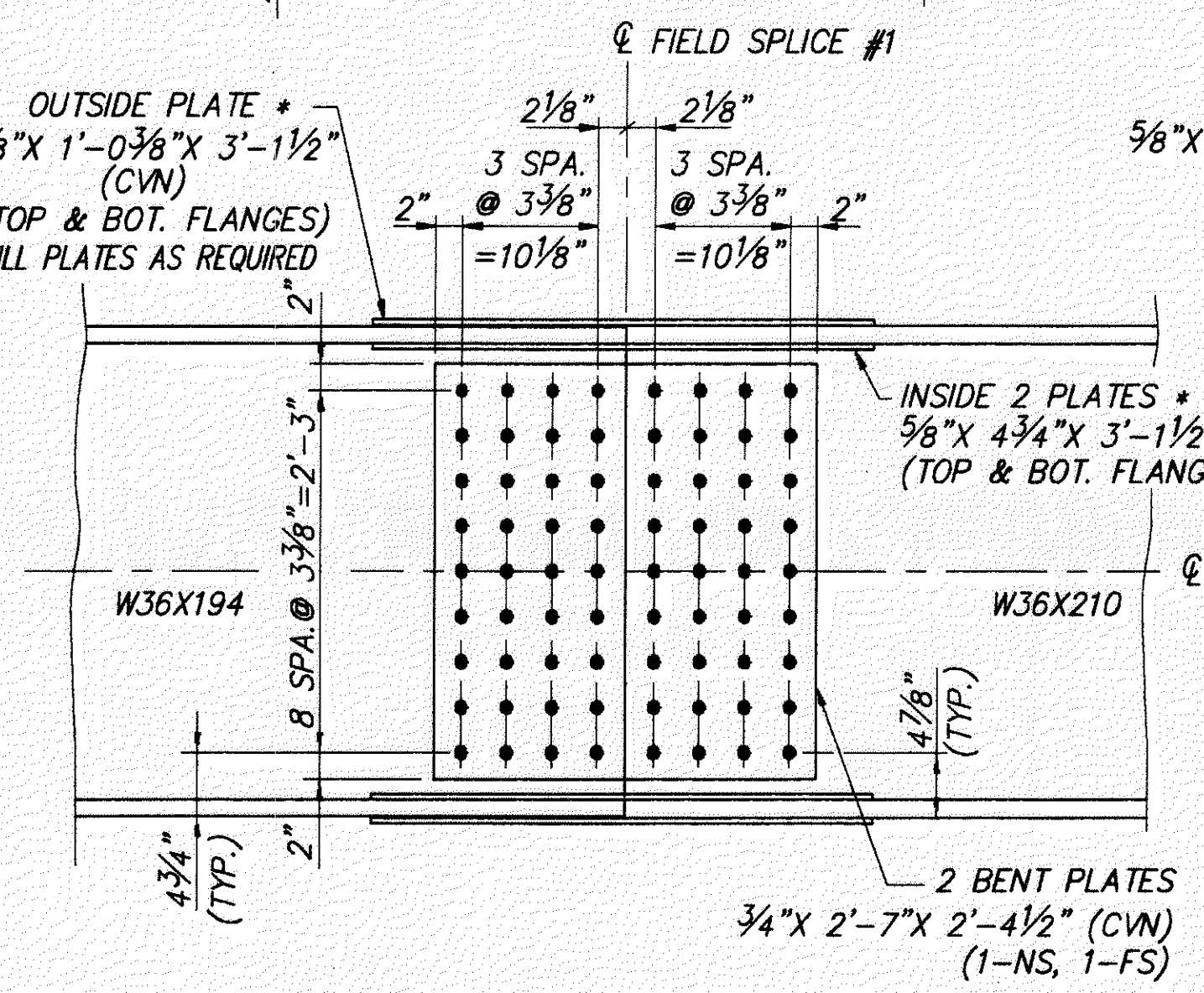
STIFFENER DETAIL
(TYPE 4A CROSSFRAME)



OUTSIDE PLATE 5/8" X 1'-0 3/8" (CVN)



CONNECTION ANGLE DETAIL
(TYPE 2 CROSSFRAME)



INSIDE PLATE 5/8" X 4 3/4" (CVN)
FLANGE SPLICE PLATE DETAILS

(FIELD SPLICE #1 PLATES ARE AS SHOWN, FIELD SPLICE #2 PLATES SIMILAR)

THE LINES OF HOLES IN THE BEAM FLANGES ARE PARALLEL TO THE CENTERLINE OF THE WEBS. THE SPLICE PLATES ARE RECTANGULAR.
* - SEE FLANGE SPLICE PLATE DETAILS.
** - HALF OF THE FLARE ANGLE.

FIELD SPLICE #1 DETAIL

(WELDED STUD SHEAR CONNECTORS ARE NOT SHOWN)

FIELD SPLICE #2 DETAIL

(WELDED STUD SHEAR CONNECTORS ARE NOT SHOWN)

1 3/16" HOLES FOR 1 1/8" HIGH STRENGTH BOLTS A325, TYPE I, GALVANIZED

- NOTES:
- FOR BRIDGE TRANSVERSE SECTION SEE SHEET 32/41.
 - FOR STEEL FRAMING PLAN, SEE SHEET 28/41.
 - FOR BEAM ELEVATION AND STEEL NOTES, SEE SHEET 29/41.
 - FOR STIFFENER WELDS AND ADDITIONAL INTERMEDIATE CROSSFRAME NOTES, SEE ODOT STD. DWG. GSD-1-96, SHEETS 1 & 2 OF 3.
 - FOR FIELD SPLICES #3, #4 AND #5, SEE ODOT STD. DWG. BS-1-93, SHEETS 1 & 3 OF 3.
 - NOTATION: BRG.-BEARING; TYP.-TYPICAL; CLR.-CLEAR; MIN.-MINIMUM; CVN-CHARPY V NOTCH; E.F.-EACH FACE; SPA.-SPACES; NS-NEAR SIDE; FS-FAR SIDE; BOT.-BOTTOM.

H:\CT\97125\BRIDGE\9712514.DWG PLOT SCALE 1:12

CT Consultants
Engineers - Architects - Planners

DATE	10/26/01
REVIEWED	J.E.A.
STRUCTURE FILE NUMBER	4304055
DRAWN	I.A.S.
REVISOR	J.P.R.
DESIGNED	I.A.S.
CHECKED	J.P.R.

STRUCTURAL STEEL DETAILS
BRIDGE NO. LAK-90-0945
S.R. 615 OVER INTERSTATE 90

LAK-IR90/SR615-9.26/1.51

31 / 41

358
343