

END CROSSFRAME AS PER GSD-1-96 SHEET 2 OF 3 (TYP. BOTH ABUTMENTS) PAYMENT SHALL BE UNDER ITEM 863.

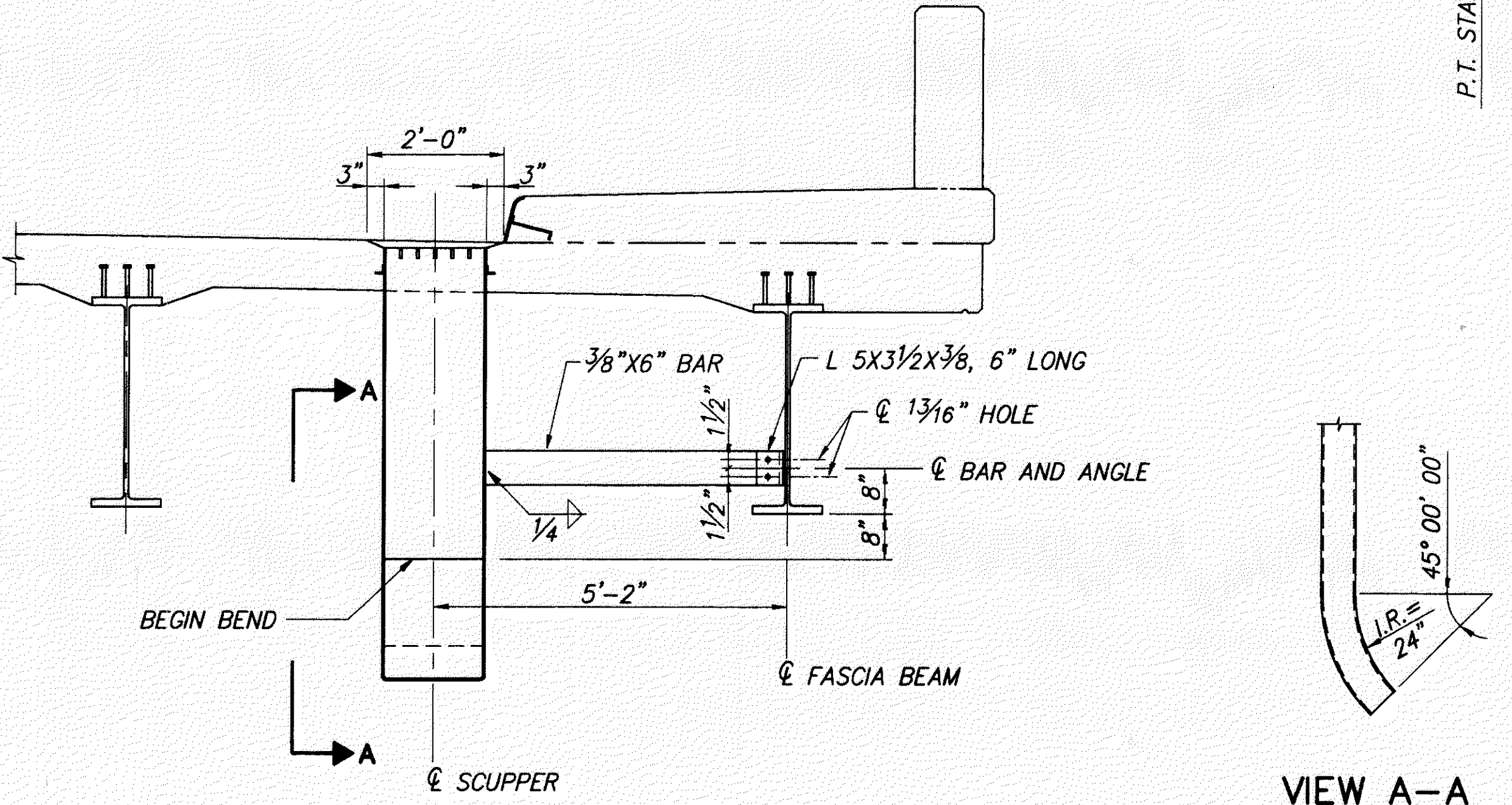
FRAMING PLAN

- * - FOR REFERENCE LINE DIAGRAM, SEE SHEET 2/41.
- ** - FOR THE CURVED PART OF THE BRIDGE, THE DECK FASCIA OFFSET FROM CENTERLINE BEAM, MEASURED NORMAL TO THE BEAM WEB, IS SHOWN IN THE TABLE ON THIS SHEET. FOR THE TANGENT PART OF THE BRIDGE, SEE TRANSVERSE SECTION.

DECK OFFSETS FROM C FASCIA BEAM

LOCATION	C BRG. REAR ABUTMENT	SPAN 1			C BRG. PIER 1	SPAN 2			C BRG. PIER 2	SPAN 3			
		0.25	0.50	0.75		F.S.#1	0.25	0.50		0.75	F.S.#2	0.25	0.50
LEFT SIDE (BEAM 1)	1'-11 3/8"	2'-3 7/8"	2'-7 1/8"	2'-9 1/8"	2'-9 3/4"	2'-9 1/8"	2'-10 3/8"	3'-2"	3'-2 7/8"	3'-1 1/8"	2'-9 1/2"	2'-9 3/4"	2'-10"
RIGHT SIDE (BEAM 6)	3'-0 3/4"	2'-8 5/8"	2'-5 7/8"	2'-4 1/2"	2'-4 3/8"	2'-5 3/4"	2'-4 3/4"	2'-2 1/8"	2'-2 3/8"	2'-5 3/8"	2'-10"	2'-10"	2'-10"

- NOTES:
- FOR DECK TRANSVERSE SECTION, SEE SHEET 32/41.
 - FOR BEAM ELEVATION, SEE SHEET 29/41.
 - FOR INTERMEDIATE CROSSFRAMES TYPE 2 AND TYPE 4A, AND FOR FIELD SPLICE DETAILS, SEE SHEET 31/41.
 - NOTATION: TYP.-TYPICAL; STA.-STATION; BRG.-BEARING; SPA.-SPACES; FWD.-FORWARD; F.S.-FIELD SPLICE.



VIEW A-A
(ELBOW TO POINT SOUTH, TYP.)

NOTE: FOR ADDITIONAL SCUPPER DETAILS, NOTES AND PAYMENT INFORMATION, SEE ODOT STD. DWG. GSD-1-96, SHEET 3 OF 3.

TYPICAL SCUPPER DETAIL
(THREE LOCATIONS)