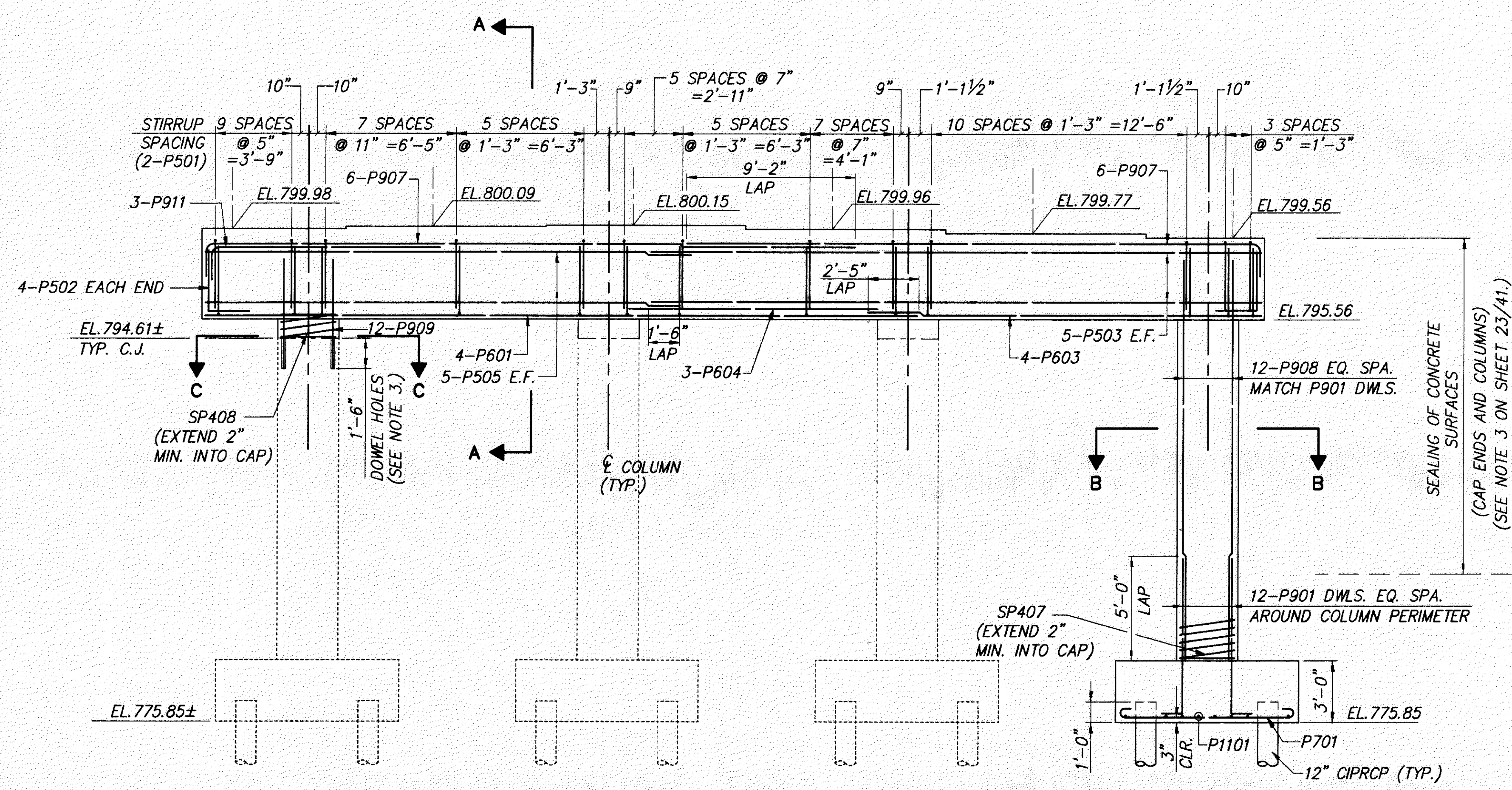
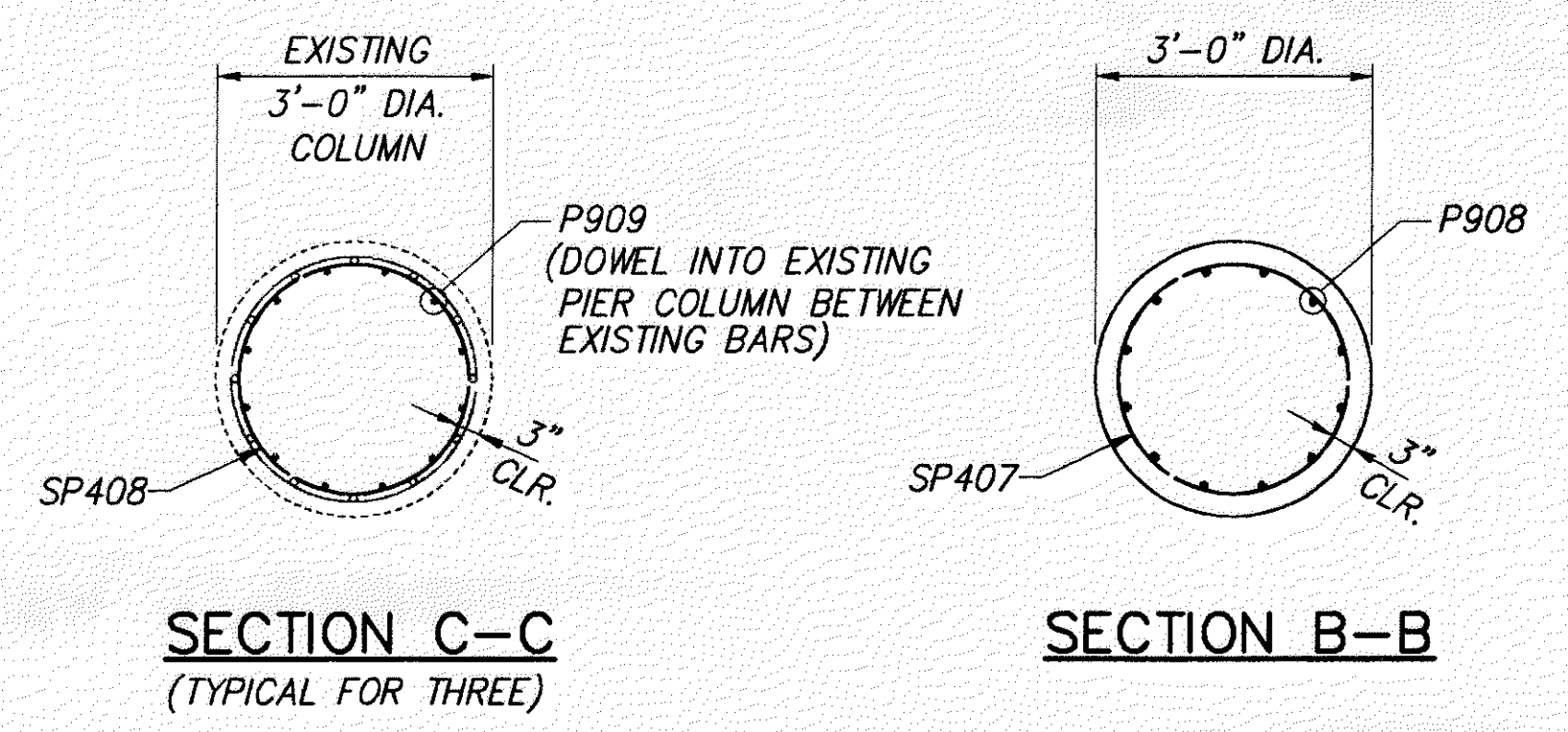


**PIER 5 PLAN**



**PIER 5 ELEVATION**



**SECTION C-C  
(TYPICAL FOR THREE)**

**SECTION B-B**

- NOTES:**
1. FOR PROPOSED PIER FOOTING PLAN AND SECTION A-A, SEE SHEET 23/41.
  2. FOR PILE LAY-OUT PLAN, SEE SHEET 14/41.
  3. FOR DOWEL HOLES INSTALLATION AND PAYMENT INFORMATION, SEE GENERAL NOTE ON SHEET 4/41.
  4. FOR ELASTOMERIC BEARING DETAILS, SEE SHEET 36/41.
  5. NOTATION: TYP.-TYPICAL; MIN.-MINIMUM; CLR.-CLEAR; EL.-ELEVATION; E.F.- EACH FACE; BRG.-BEARING; C.J.-CONSTRUCTION JOINT; DIA.-DIAMETER; CIPRCP-CAST-IN-PLACE REINFORCED CONCRETE PILE; EQ. SPA.-EQUALLY SPACED; DWLS.-DOWELS.

H:\CT\97125\BRIDGE\9712510.DWG PLOT SCALE 1:48

|                       |          |
|-----------------------|----------|
| DATE                  | 10/26/01 |
| REVIEWED              | J.E.A.   |
| STRUCTURE FILE NUMBER | 4-304055 |
| DRAWN                 | R.L.B.   |
| CHECKED               | J.P.R.   |
| DESIGNED              | I.A.S.   |