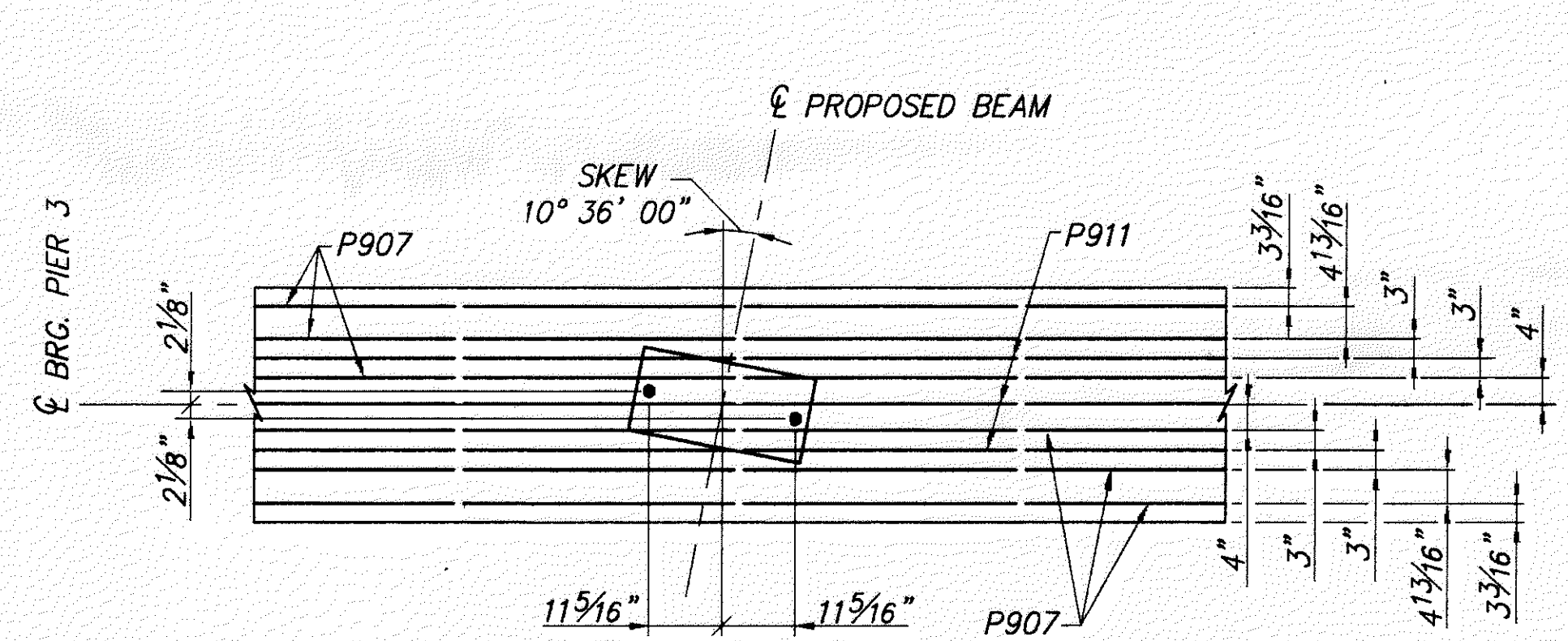


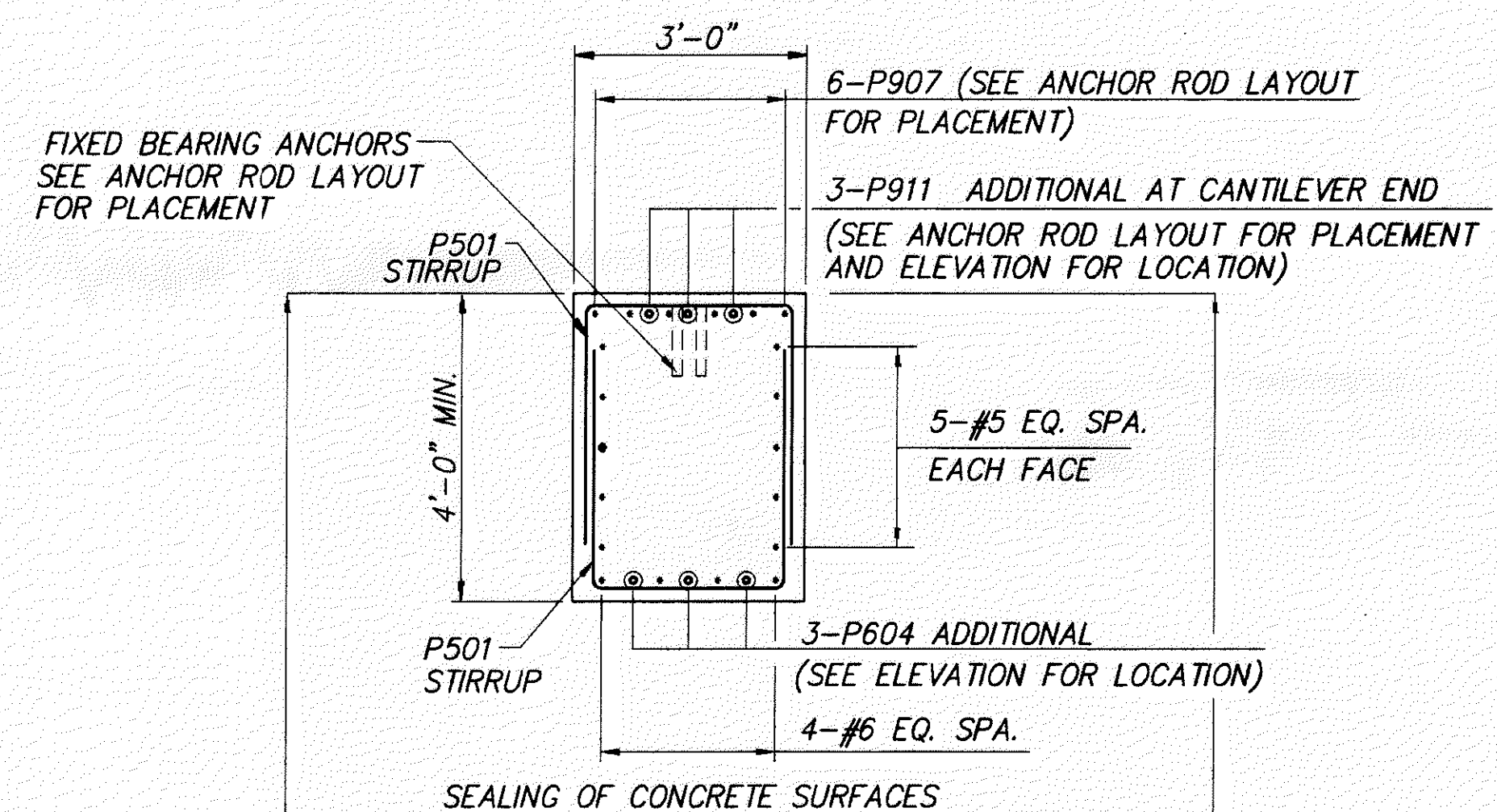
**PIER 3 PLAN**



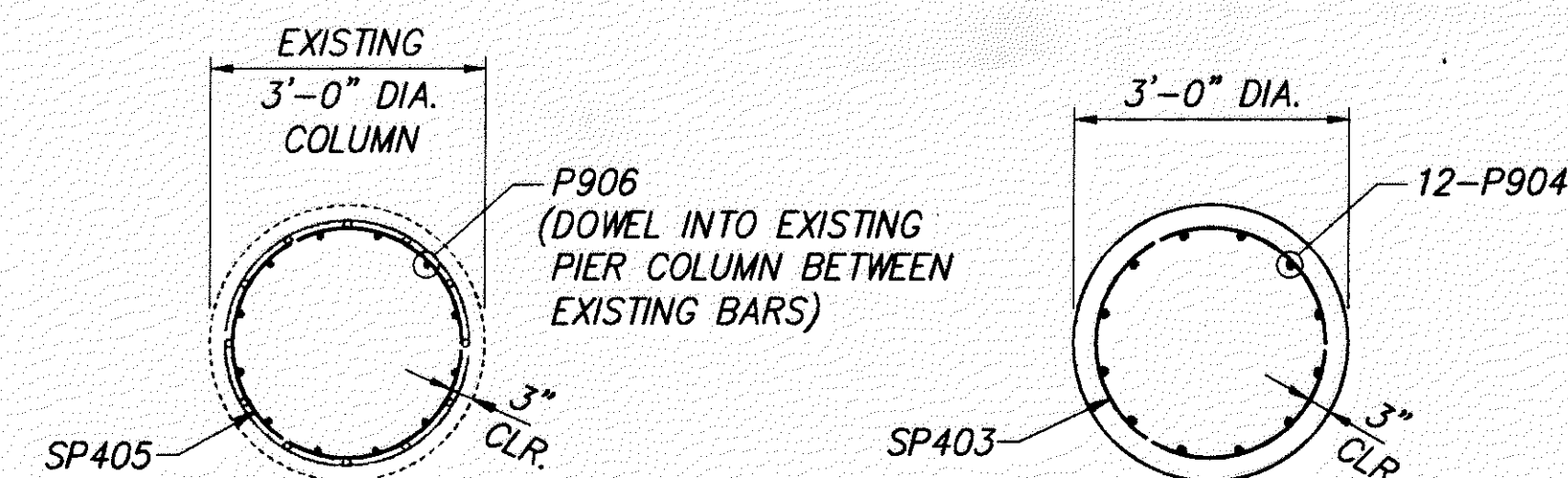
**TYPICAL ANCHOR ROD LAYOUT**

BRIDGE SEAT REINFORCING, SETTING ANCHORS:

REINFORCING STEEL IN THE VICINITY OF THE BRIDGE SEAT SHALL BE ACCURATELY PLACED TO AVOID INTERFERENCE WITH THE DRILLING OF BEARING ANCHOR HOLES, OR THE PRESETTING OF THE BEARING ANCHORS.

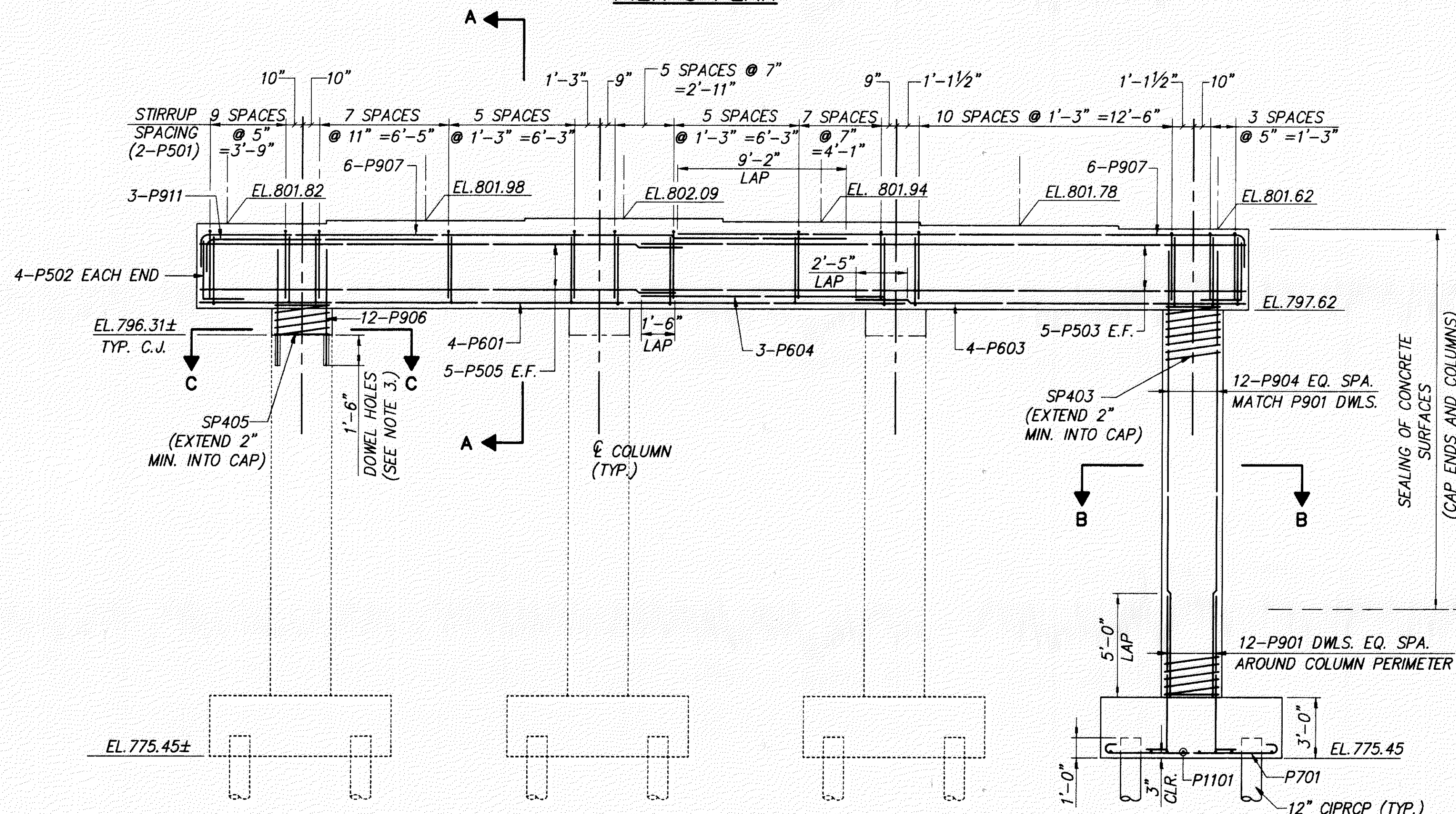


**SECTION A-A**



**SECTION C-C**  
(TYPICAL FOR THREE)

**SECTION B-B**



**PIER 3 ELEVATION**

NOTES:

- FOR PROPOSED PIER FOOTING PLAN, SEE SHEET 23/41.
- FOR PILE LAY-OUT PLAN, SEE SHEET 14/41.
- FOR DOWEL HOLES INSTALLATION AND PAYMENT INFORMATION, SEE GENERAL NOTE ON SHEET 4/41.
- FOR ELASTOMERIC BEARING DETAILS, SEE SHEET 36/41.
- NOTATION: TYP.-TYPICAL; MIN.-MINIMUM; CLR.-CLEAR; EL.-ELEVATION; E.F.- EACH FACE; BRG.-BEARING; C.J.-CONSTRUCTION JOINT; DIA.-DIAMETER; CIPRCP-CAST-IN-PLACE REINFORCED CONCRETE PILE; EQ. SPA.-EQUALLY SPACED; DWLS.-DOWELS.