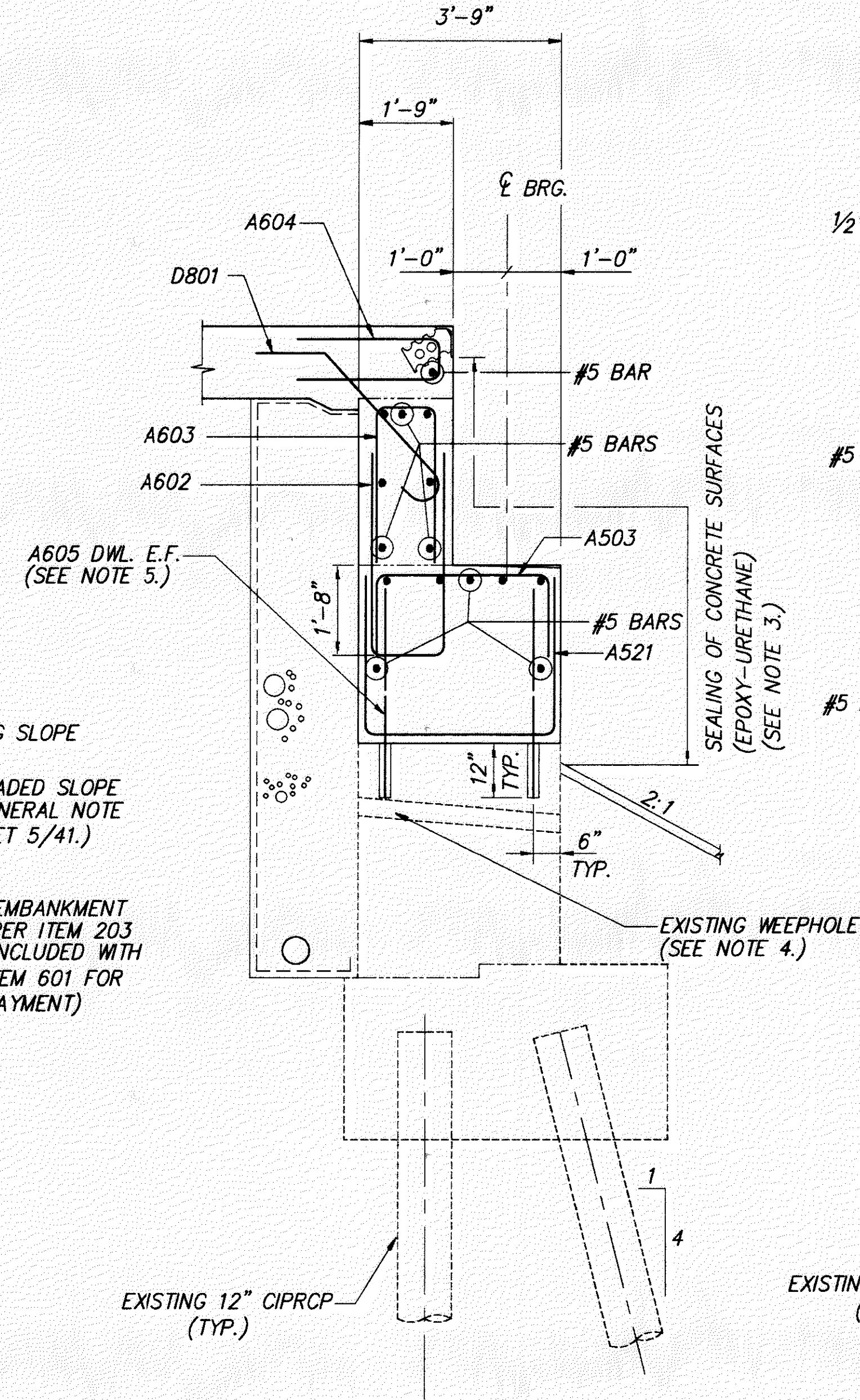
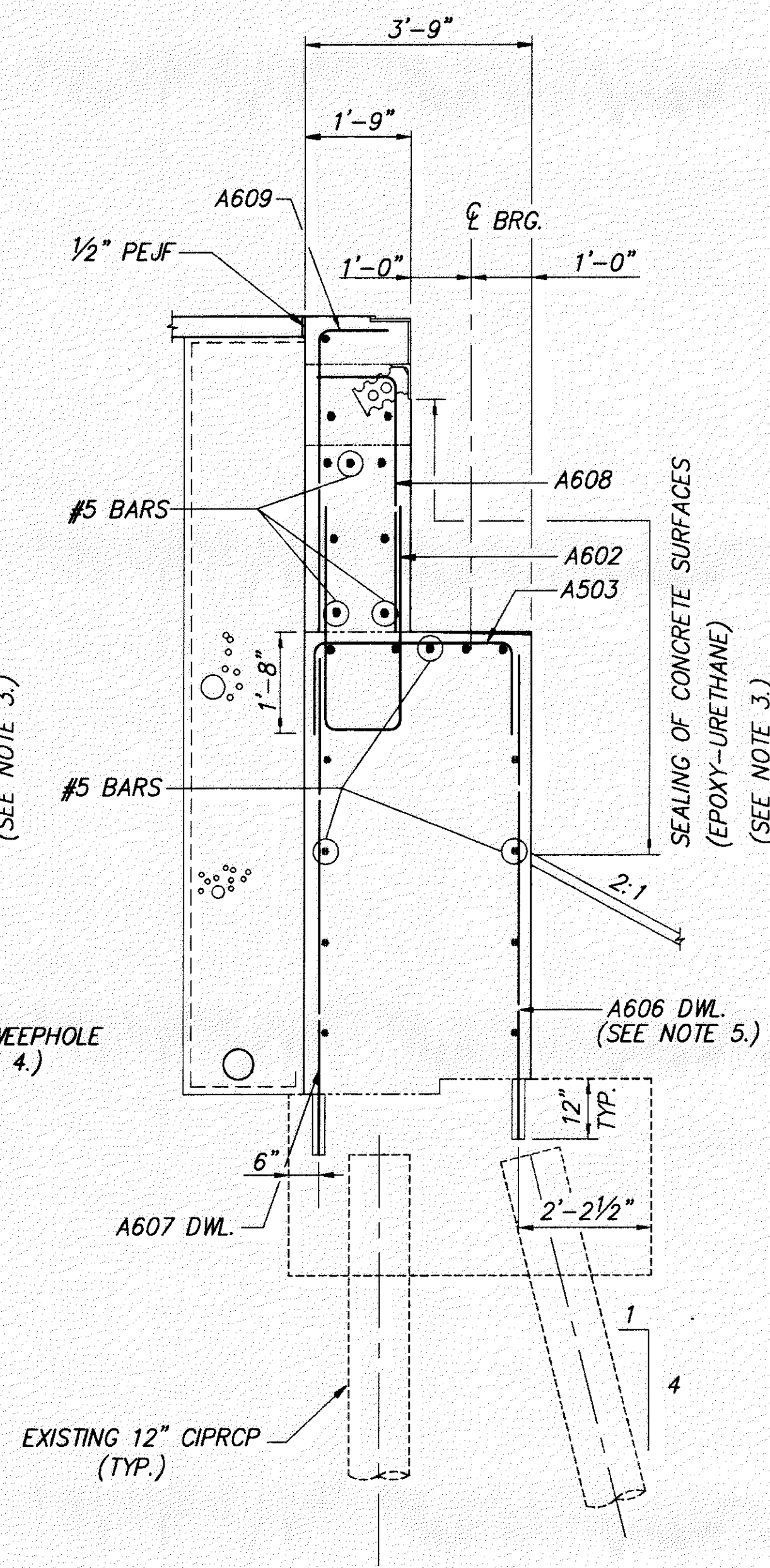


**SECTION A-A**



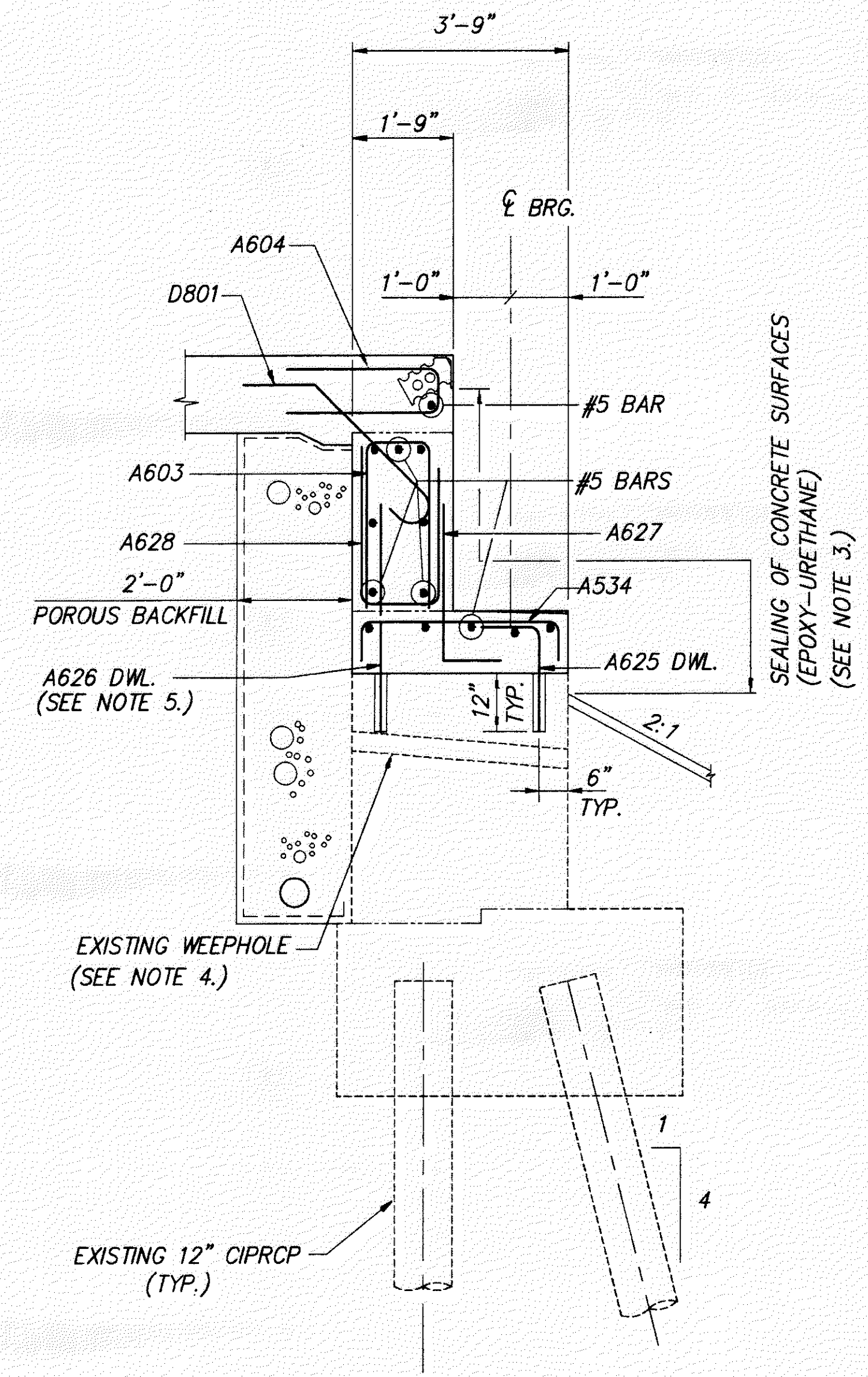
**SECTION B-B**

(SEE SECTION A-A FOR ADDITIONAL INFORMATION)



**SECTION C-C**

(SEE SECTION A-A FOR ADDITIONAL INFORMATION)



**SECTION D-D**

(SEE SECTION A-A FOR ADDITIONAL INFORMATION)

**NOTES:**

- FOR REAR ABUTMENT FOOTING PLAN, SEE SHEET 15/41, AND FOR FORWARD ABUTMENT FOOTING PLAN, SEE SHEET 18/41.
- FOR REAR ABUTMENT PLAN AND ELEVATION, SEE SHEET 16/41, AND FOR FORWARD ABUTMENT PLAN AND ELEVATION, SEE SHEET 19/41.
- THE SECOND SEALING COAT ONLY SHALL BE TINTED TO FEDERAL COLOR STANDARD 59B-25630 SEMI-GLOSS.
- ALL WEEPHOLES SHALL BE PLUGGED FROM THE BACK FACE OF THE BREASTWALLS USING CEMENT GROUT COMPOSED OF ONE PART OF HYDRAULIC CEMENT AND THREE PARTS OF SAND, BY VOLUME, AND WATER. MATERIALS AND LABOR FOR PLUGGING WEEPHOLES SHALL BE INCIDENTAL TO ITEM 518 - POROUS BACKFILL WITH FILTER FABRIC.
- SEE "DOWEL HOLES" GENERAL NOTE ON SHEET 4/41 FOR INSTALLATION AND PAYMENT INFORMATION.
- POROUS BACKFILL WITH FILTER FABRIC, 2 FEET THICK, SHALL EXTEND UP TO THE PLANE OF THE SUBGRADE, TO 1 FOOT BELOW THE EMBANKMENT SURFACE, AND Laterally TO THE ENDS OF THE WINGWALLS.
- NOTATION: TYP.-TYPICAL; E.F.-EACH FACE; FT.-FOOT; BRG.-BEARING; CIPRCP; CAST-IN-PLACE REINFORCED CONCRETE PILES; CLR.-CLEAR; DWL.-DOWEL; PEJF-PREFORMED EXPANSION JOINT FILLER.

DATE	10/26/01
REVIEWED	J.E.A. 10/26/01
STRUCTURE FILE NUMBER	4304055
DRAWN	I.A.S.
CHECKED	J.P.R.

**ABUTMENT SECTIONS**  
BRIDGE NO. LAK-90-0945  
S.R. 615 OVER INTERSTATE 90

**LAK-IR90/SR615-**  
**9.26/1.51**