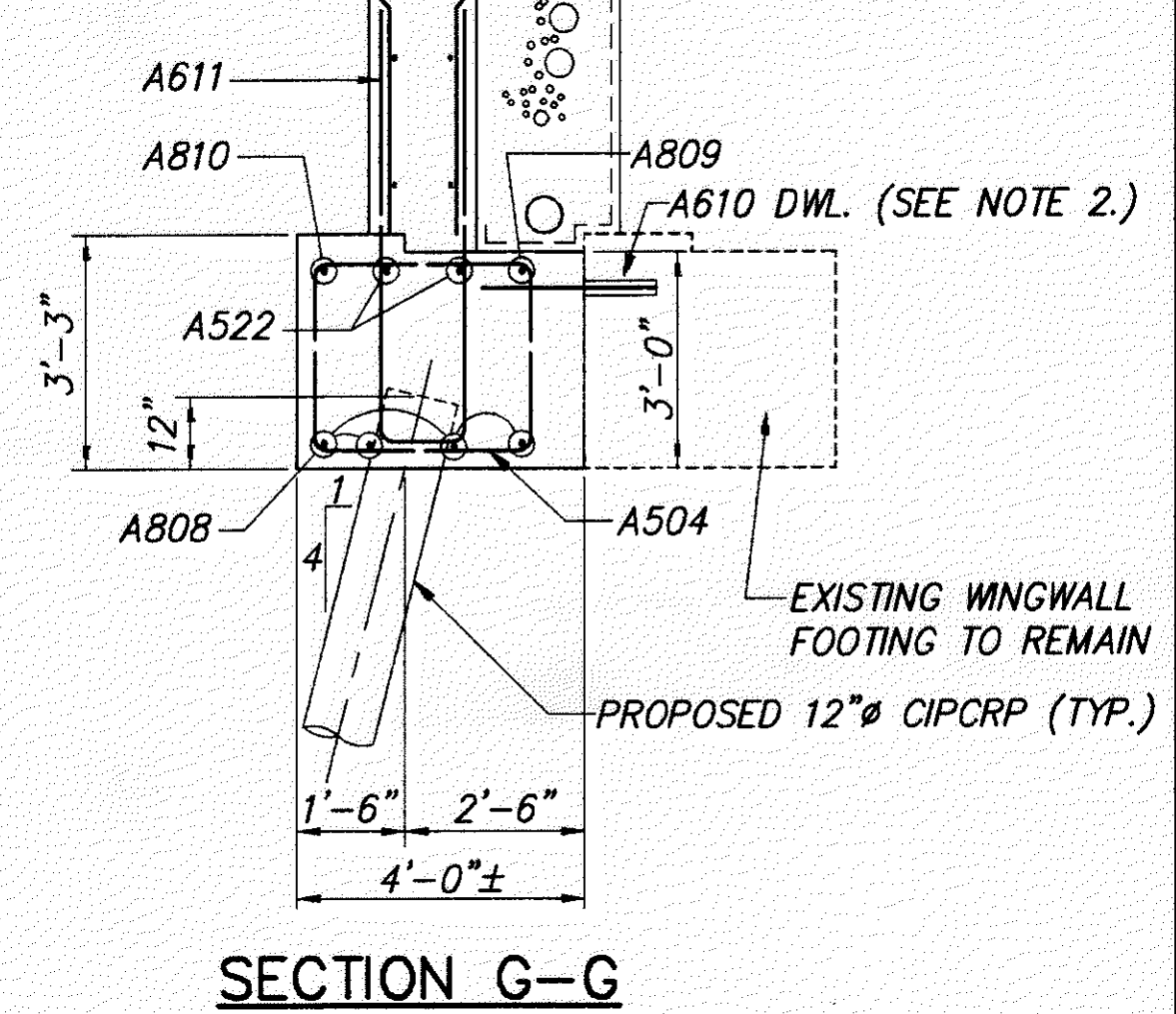


FOR DETAILS ABOVE THE FOOTING, SEE SECTION E-E ON THIS SHEET.



- NOTES:**
- FOR FORWARD ABUTMENT PLAN AND ELEVATION, SEE SHEET 19/41.
  - SEE "DOWEL HOLES" GENERAL NOTE ON SHEET 4/41 FOR INSTALLATION AND PAYMENT INFORMATION.
  - THE SECOND SEALING COAT ONLY SHALL BE TINTED TO FEDERAL COLOR STANDARD 59B-25630 SEMI-GLOSS.
  - NOTATION: EL.-ELEVATION; E.F.-EACH FACE; TYP.-TYPICAL CIPCRP-CAST-IN-PLACE REINFORCED CONCRETE PILES; SPA.-SPACES; PEJF-PREFORMED EXPANSION JOINT FILLER.

\*\* - BARS SHALL BE EQUALLY SPACED BETWEEN PILES AT 18" MAXIMUM.

H:\CT\97125\CA0\9712521.DWG PLOT SCALE 1:32