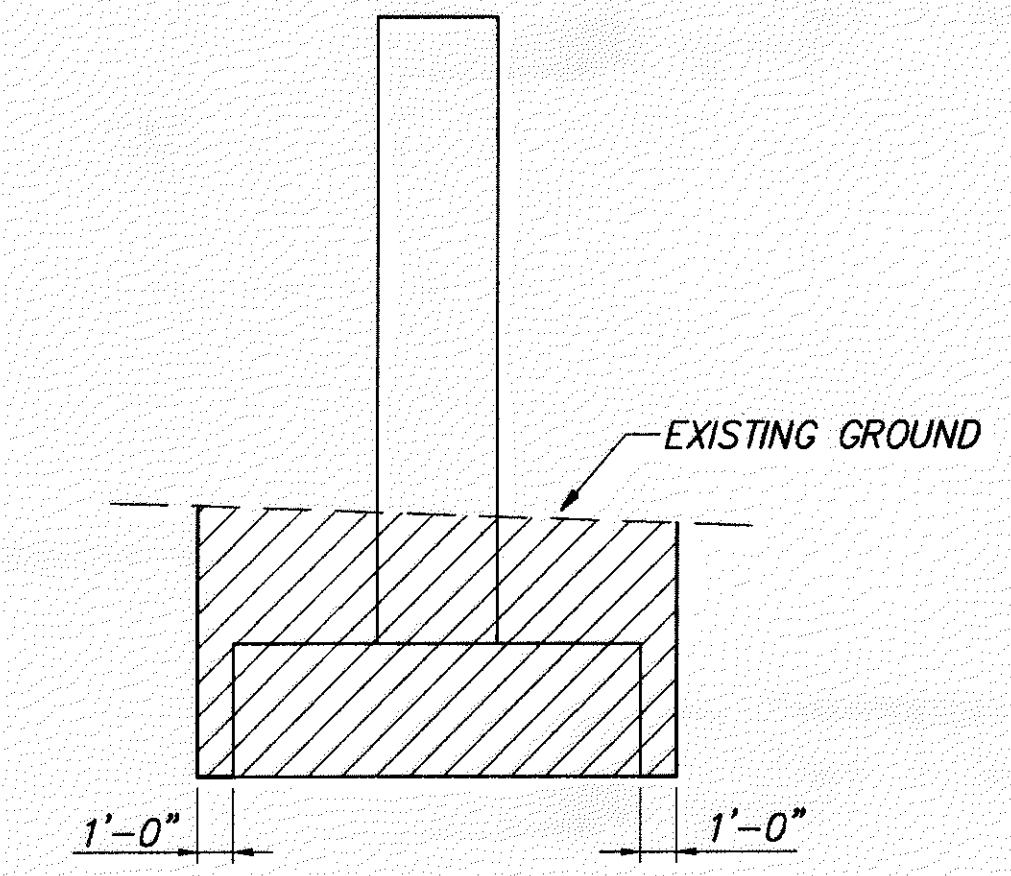


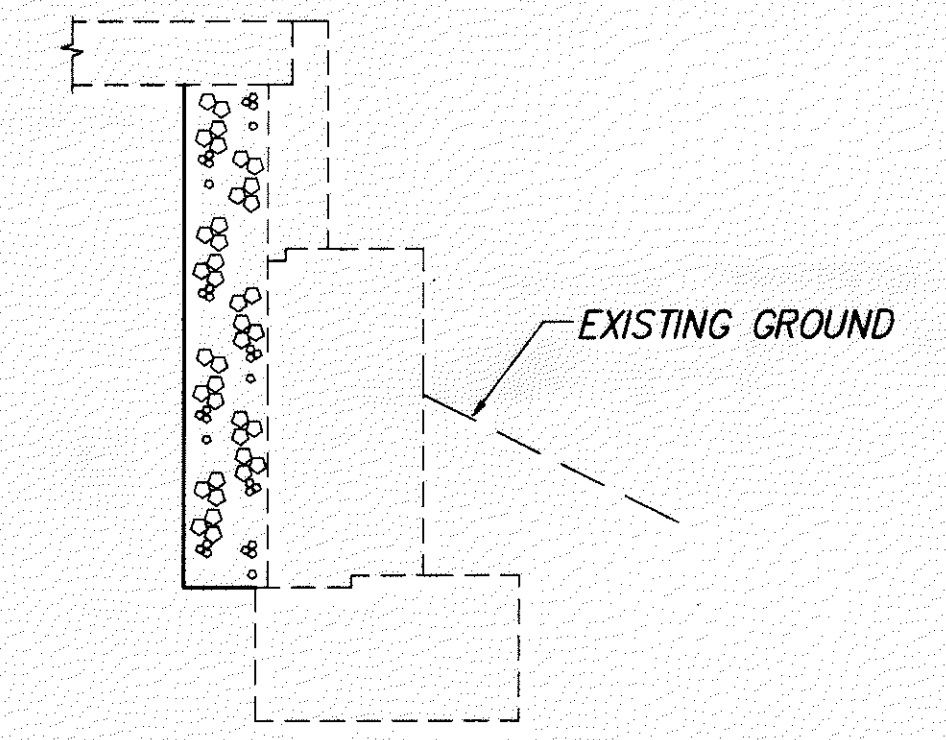
ESTIMATED QUANTITIES

| ITEM    | ITEM EXT. | TOTAL    | UNIT     | DESCRIPTION  | GENERAL | ABUT. | PIERS | SUPER.  | AS PER PLAN REFERENCE SHEET NO. |
|---------|-----------|----------|----------|--|---------|-------|-------|---------|---------------------------------|
| 202     | 11203     | LUMP SUM |          | PORTIONS OF STRUCTURE REMOVED, OVER 20 FOOT SPAN, AS PER PLAN  | LUMP    |       |       |         | 3,13                            |
| 503     | 11100     | LUMP SUM |          | COFFERDAMS, CRIBS AND SHEETING   | LUMP    |       |       |         |                                 |
| 503     | 21100     | 425      | CU. YD.  | UNCLASSIFIED EXCAVATION  |         | 232   | 193   |         |                                 |
| 505     | 11100     | LUMP SUM |          | PILE DRIVING EQUIPMENT MOBILIZATION  | LUMP    |       |       |         |                                 |
| 507     | 00500     | 2,164    | LIN. FT. | 12" CAST-IN-PLACE REINFORCED CONCRETE PILES, DRIVEN  |         | 1060  | 1104  |         |                                 |
| 507     | 00550     | 2,464    | LIN. FT. | 12" CAST-IN-PLACE REINFORCED CONCRETE PILES, FURNISHED   |         | 1210  | 1254  |         |                                 |
| 507     | 50500     | 30       | EACH     | STEEL PILE SPLICES   |         | 15    | 15    |         |                                 |
| 512     | 44400     | 10       | SQ. YD.  | TYPE B WATERPROOFING   |         | 10    |       |         |                                 |
| SPECIAL | 51426030  | 539,283  | POUND    | FIELD PAINTING, MISC.: SHOP PAINTING AND FIELD TOUCH-UP OF STRUCTURAL STEEL                            |         |       |       | 539,283 |                                 |
| 516     | 11210     | 105      | LIN. FT. | STRUCTURAL EXPANSION JOINT INCLUDING ELASTOMERIC STRIP SEAL  |         |       |       | 105     |                                 |
| 516     | 44000     | 12       | EACH     | ELASTOMERIC BEARING WITH INTERNAL LAMINATES AND LOAD PLATE (13 1/2" X 21" X 1 9/16" NEOPRENE)          |         |       | 12    |         |                                 |
| 516     | 44100     | 12       | EACH     | ELASTOMERIC BEARING WITH INTERNAL LAMINATES AND LOAD PLATE (13" X 20" X 2 3/8" NEOPRENE)               |         |       | 12    |         |                                 |
| 516     | 44101     | 6        | EACH     | ELASTOMERIC BEARING WITH INTERNAL LAMINATES AND LOAD PLATE (12" X 21" X 2 3/16" NEOPRENE), AS PER PLAN |         |       | 6     |         | 36                              |
| 516     | 44200     | 12       | EACH     | ELASTOMERIC BEARING WITH INTERNAL LAMINATES AND LOAD PLATE (11" X 12" X 3 9/16" NEOPRENE)              |         | 12    |       |         |                                 |
| 516     | 13200     | 60       | SQ. FT.  | 1/2" PREFORMED EXPANSION JOINT FILLER  | 60      |       |       |         |                                 |
| 516     | 13600     | 14       | SQ. FT.  | 1" PREFORMED EXPANSION JOINT FILLER  | 14      |       |       |         |                                 |
| 518     | 12201     | 3        | EACH     | SCUPPER, INCLUDING SUPPORTS, AS PER PLAN   |         |       |       | 3       | 28                              |
| 518     | 21200     | 110      | CU. YD.  | POROUS BACKFILL WITH FILTER FABRIC   |         | 110   |       |         |                                 |
| 518     | 40000     | 122      | LIN. FT. | 6" PERFORATED CORRUGATED PLASTIC PIPE  |         | 122   |       |         |                                 |
| 518     | 40010     | 65       | LIN. FT. | 6" NON-PERFORATED CORRUGATED PLASTIC PIPE, INCLUDING SPECIALS  |         | 65    |       |         |                                 |
| 523     | 11100     | 3        | HOUR     | DYNAMIC LOAD TEST  | 3       |       |       |         |                                 |
| SPECIAL | 53013000  | 2,233    | SQ. FT.  | FORM LINER   |         |       |       | 2,233   |                                 |
| SPECIAL | 60739900  | 845      | LIN. FT. | VANDAL PROTECTION FENCE, 6' STRAIGHT, COATED FABRIC  |         | 63    |       | 782     |                                 |
| 843     | 50000     | 5        | SQ. FT.  | PATCHING CONCRETE STRUCTURES WITH TROWELABLE MORTAR  |         |       | 5     |         |                                 |
| 844     | 48001     | 729      | CU. YD.  | HIGH PERFORMANCE CONCRETE SUPERSTRUCTURE (DECK), AS PER PLAN   |         |       |       | 729     | 4                               |
| 844     | 48021     | 84       | CU. YD.  | HIGH PERFORMANCE CONCRETE SUPERSTRUCTURE (PARAPET), AS PER PLAN  |         |       |       | 84      | 4,38                            |
| 844     | 48040     | 385      | CU. YD.  | HIGH PERFORMANCE CONCRETE SUBSTRUCTURE   |         | 171   | 214   |         |                                 |
| 844     | 49000     | LUMP SUM |          | HIGH PERFORMANCE CONCRETE TRIAL MIX  | LUMP    |       |       |         |                                 |
| 844     | 49010     | LUMP SUM |          | HIGH PERFORMANCE CONCRETE TESTING  | LUMP    |       |       |         |                                 |
| 863     | 10201     | 10,383   | POUND    | STRUCTURAL STEEL MEMBERS, MISCELLANEOUS LEVEL FABRICATION, A709, GRADE 36, AS PER PLAN                 |         |       |       | 10,383  | 5,32                            |
| 863     | 10260     | 539,283  | POUND    | STRUCTURAL STEEL MEMBERS, LEVEL THREE (3) FABRICATION, A709, GRADE 50                                  |         |       |       | 539,283 |                                 |
| 863     | 20000     | 5,850    | EACH     | WELDED STUD SHEAR CONNECTORS   |         |       |       | 5,850   |                                 |
| 864     | 10050     | 586      | SQ. YD.  | SEALING OF CONCRETE SURFACES (NON-EPOXY)   |         |       |       | 586     |                                 |
| 864     | 10100     | 1,686    | SQ. YD.  | SEALING OF CONCRETE SURFACES (EPOXY-URETHANE)  |         | 192   | 557   | 937     |                                 |

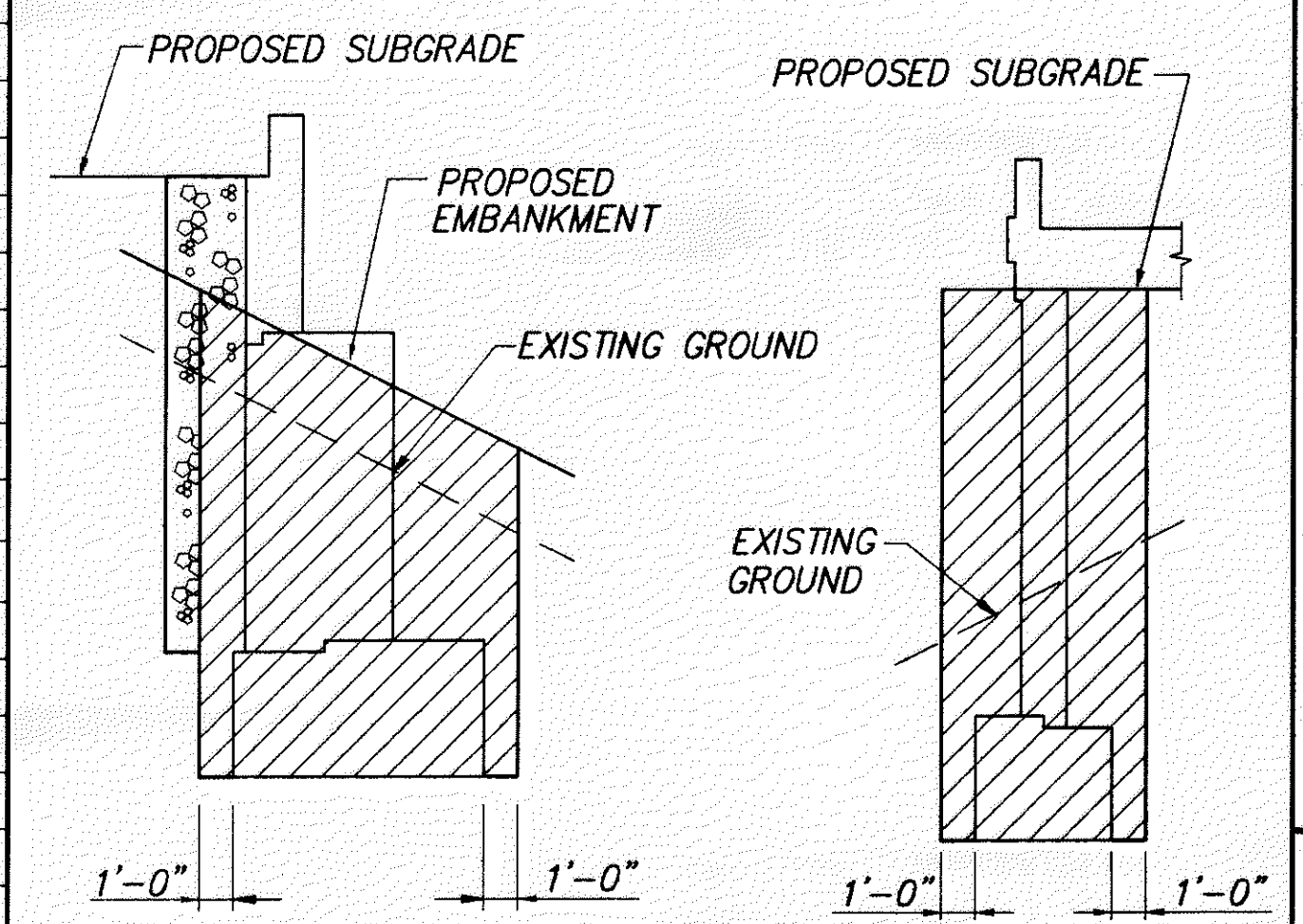
NOTES: 1. EPOXY COATED REINFORCING STEEL, GRADE 60 SHALL BE INCIDENTAL IN THE PRICE BID FOR STRUCTURAL CONCRETE. ESTIMATED WEIGHTS OF EPOXY COATED REINFORCING STEEL ARE GIVEN IN THE REINFORCING SCHEDULES.



PIER



EXISTING ABUTMENT



ABUTMENT EXTENSION

WINGWALL

EXCAVATION DIAGRAMS  
(NOT TO SCALE)

- LEGEND:
- INDICATES AREA INCLUDED WITH ITEM 503- UNCLASSIFIED EXCAVATION.
  - INDICATES AREA INCLUDED WITH ITEM 518- POROUS BACKFILL WITH FILTER FABRIC.