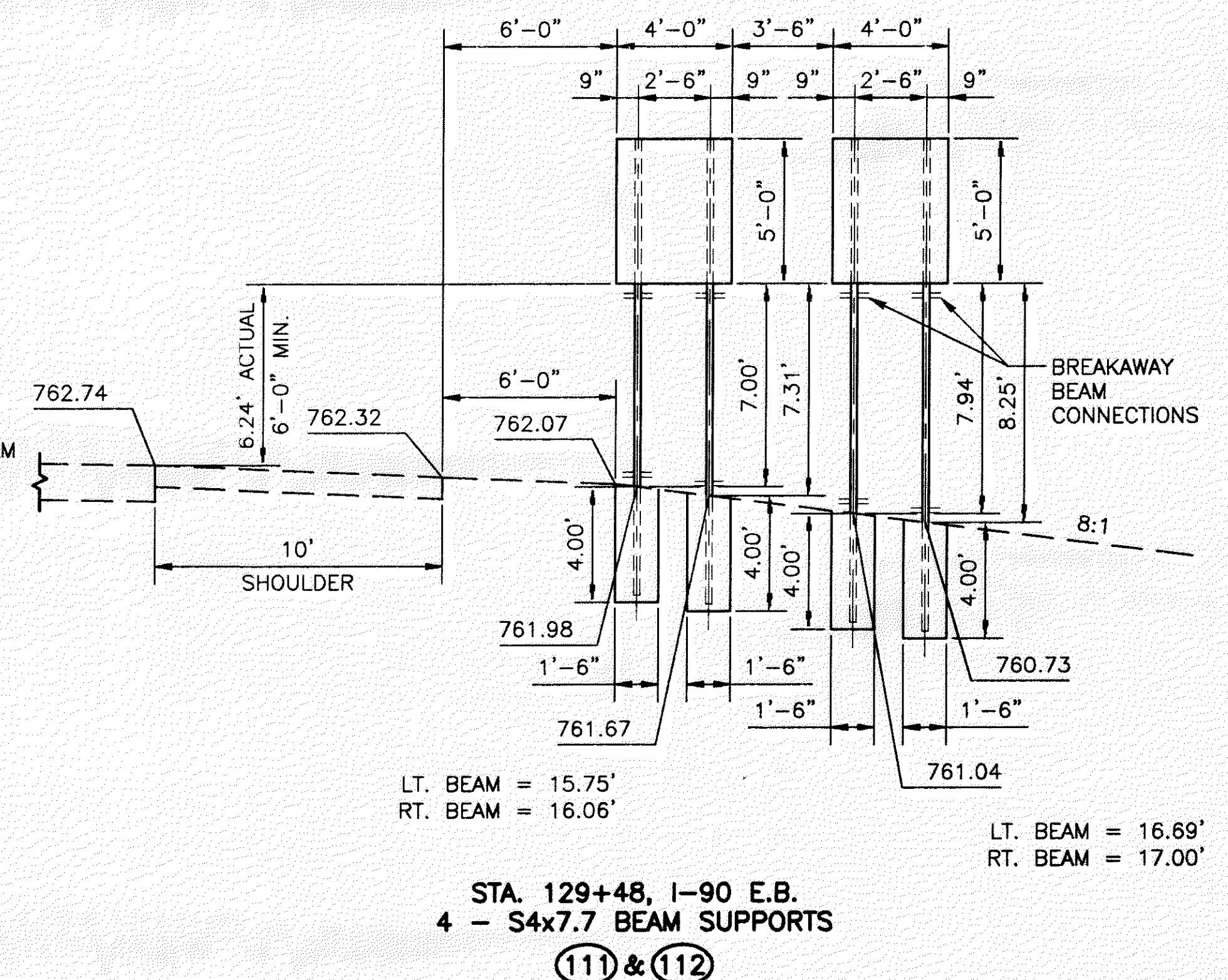
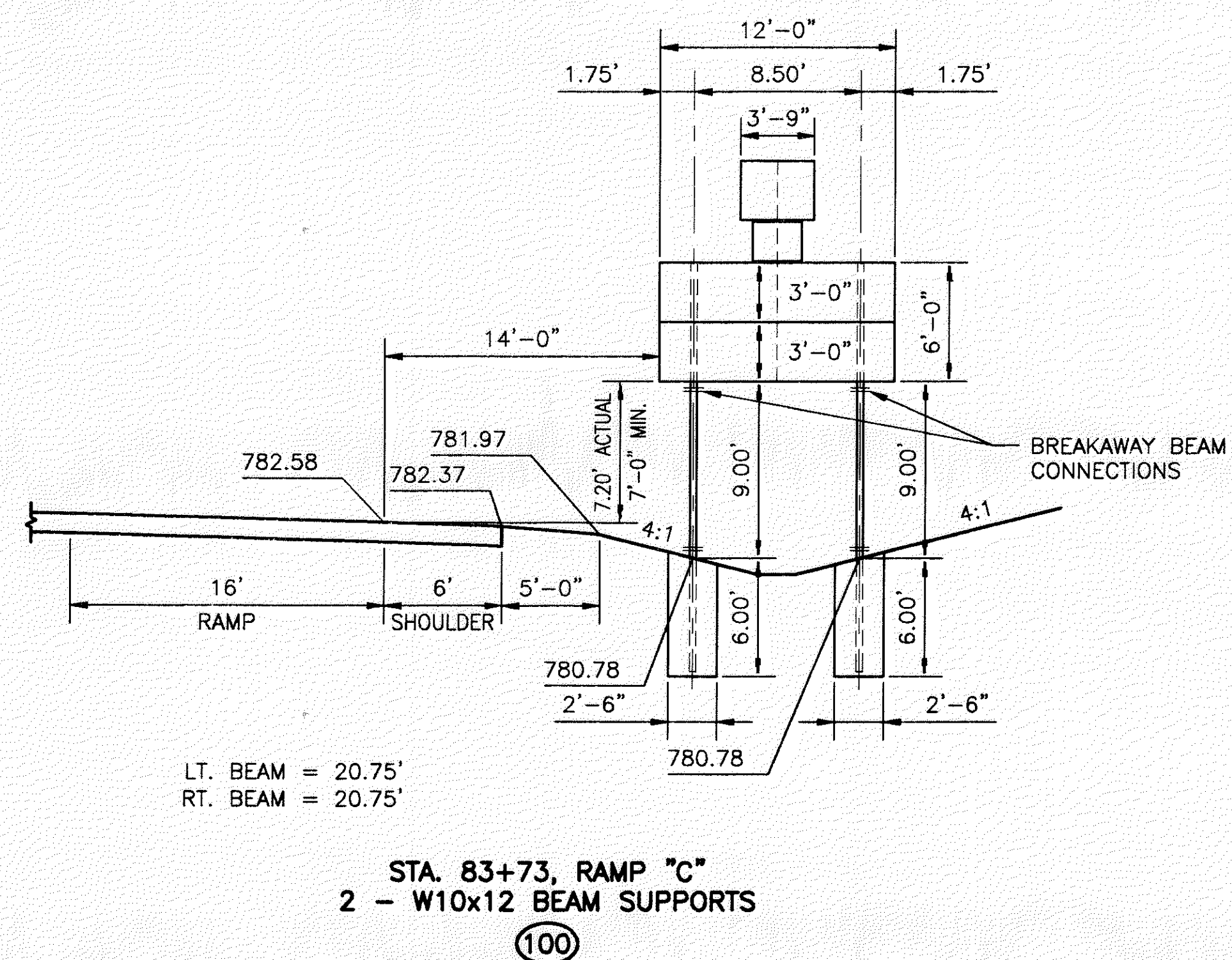
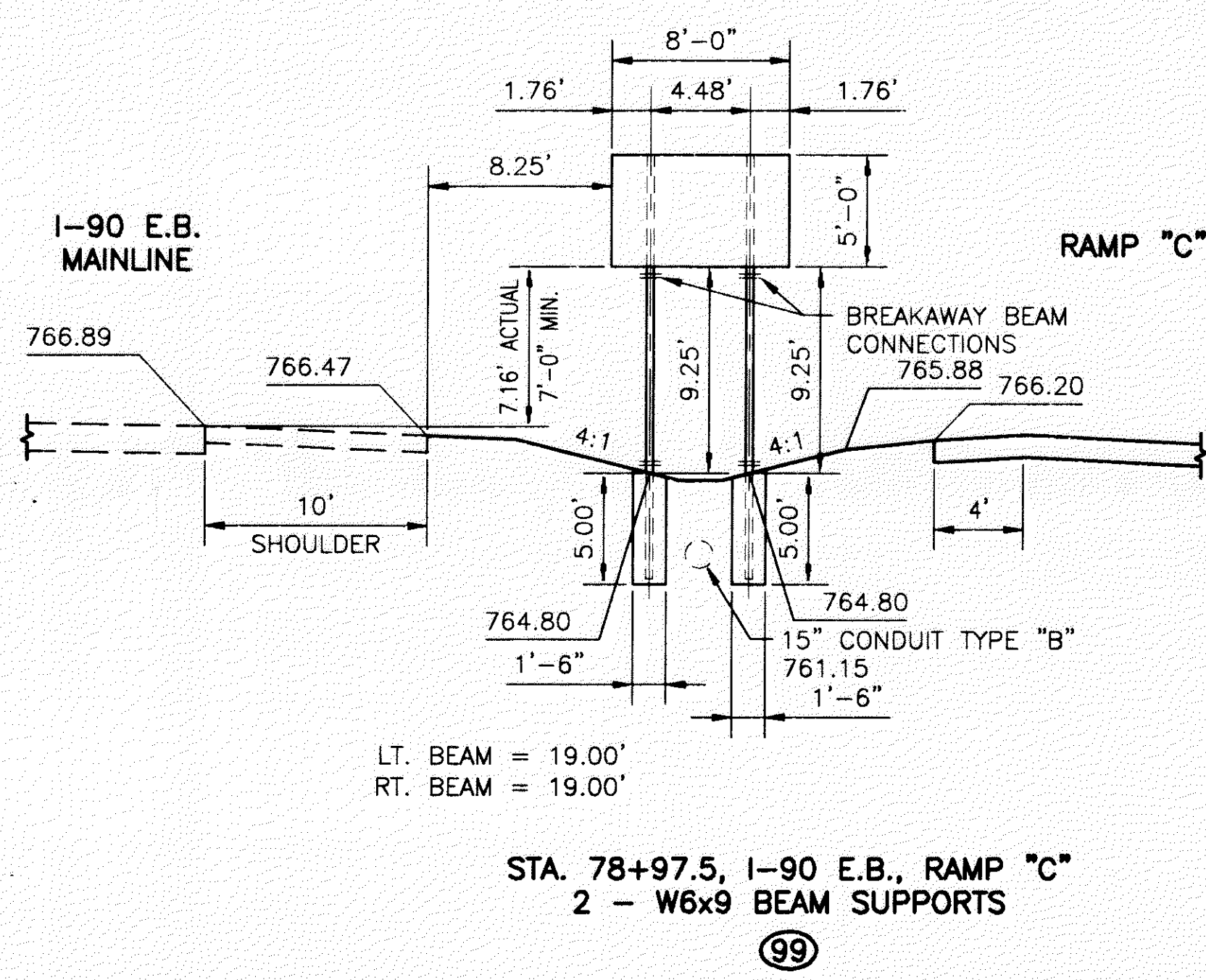
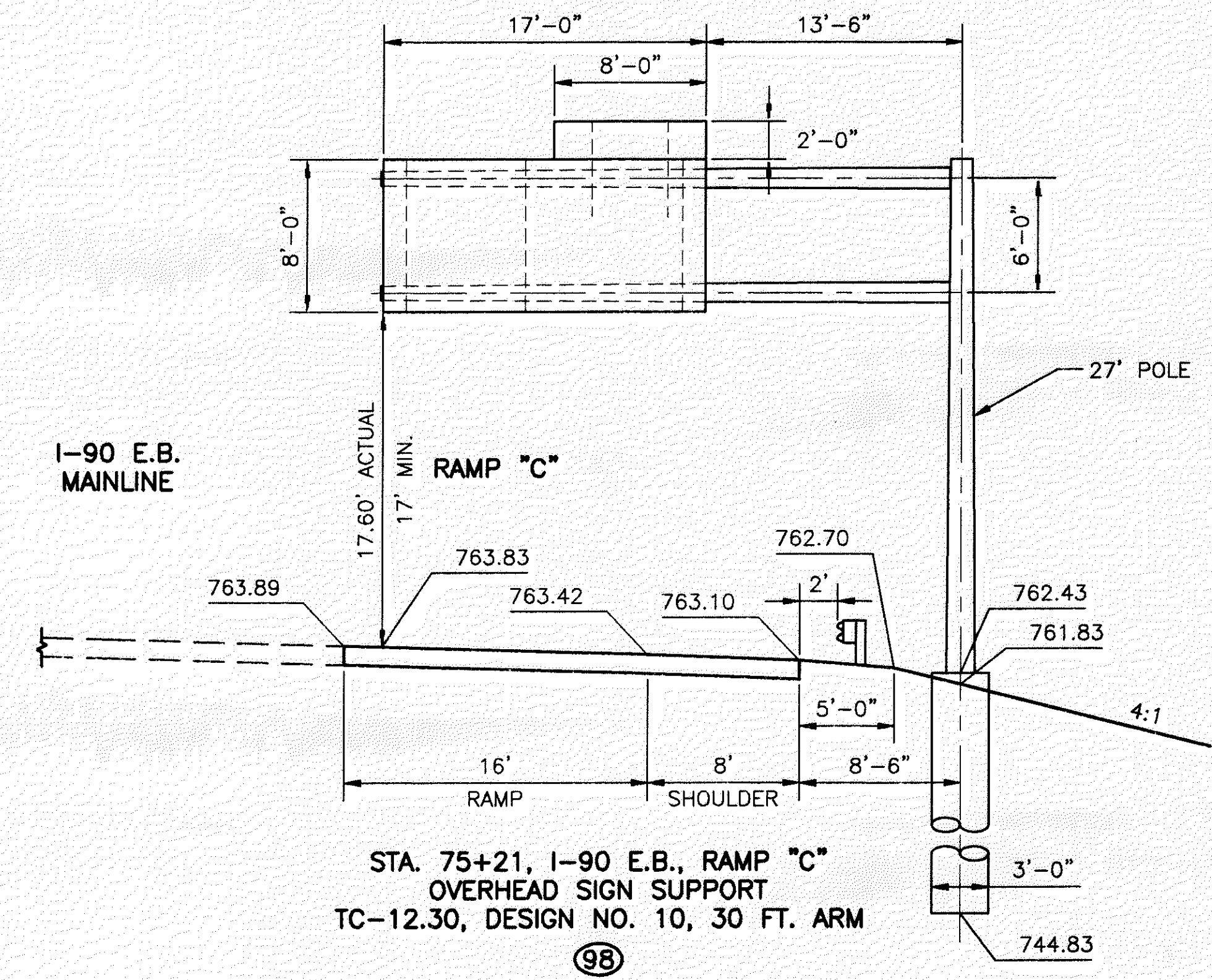
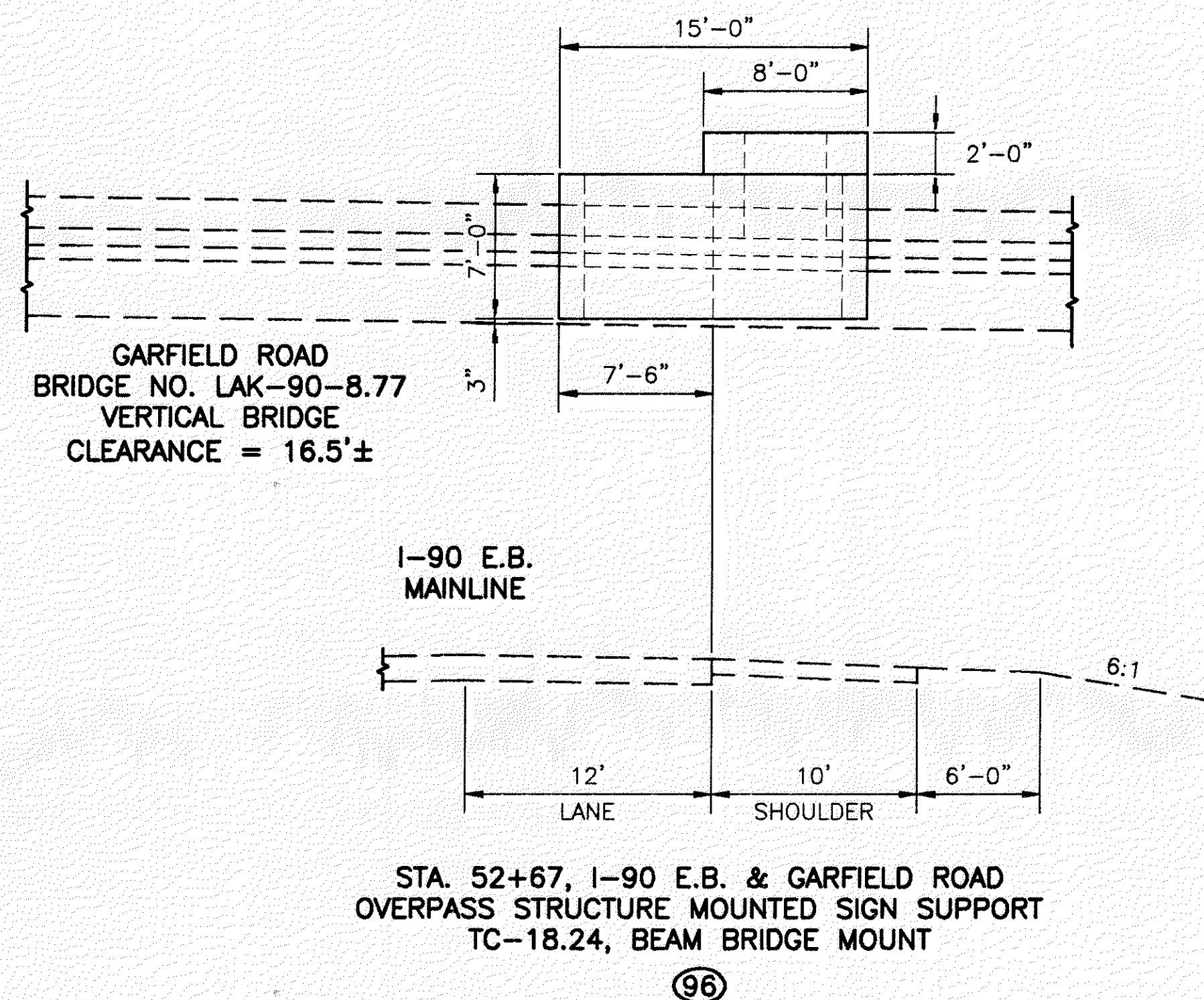
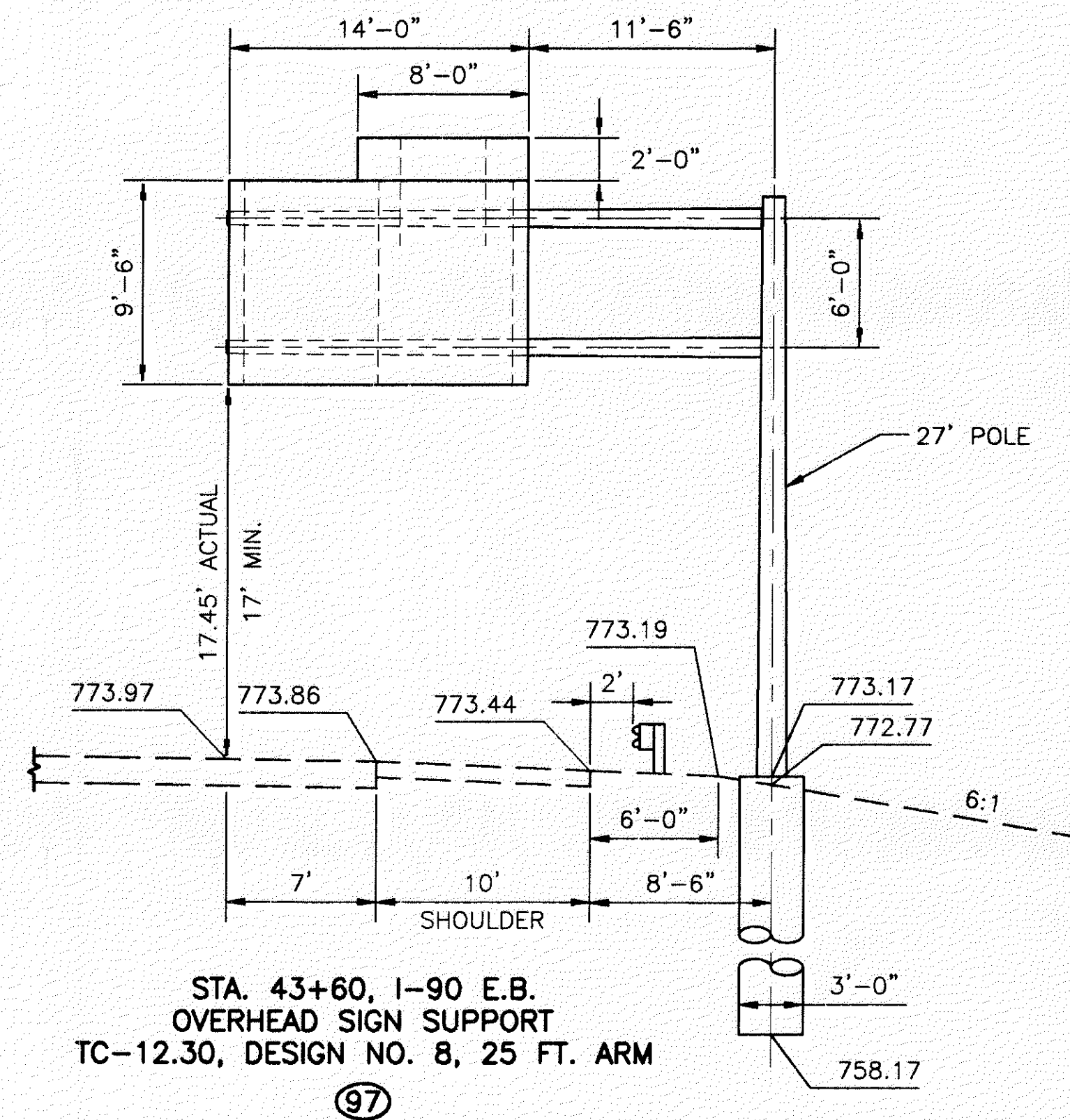


DATE: 10-09-01 - H:\CT\97125\SDSK TRAFFIC\971250HS.DWG - PLOT SCALE = 1 : 1 (PLOT-3)



40 0 20 40
SCALE IN FEET
CALCULATED A.E.P. CHECKED I.M.H.
S.R. 615
OVERHEAD AND GROUND MOUNTED SIGN ELEVATION VIEWS
LAK-IR90/SR615-9.26/1.51
320
393