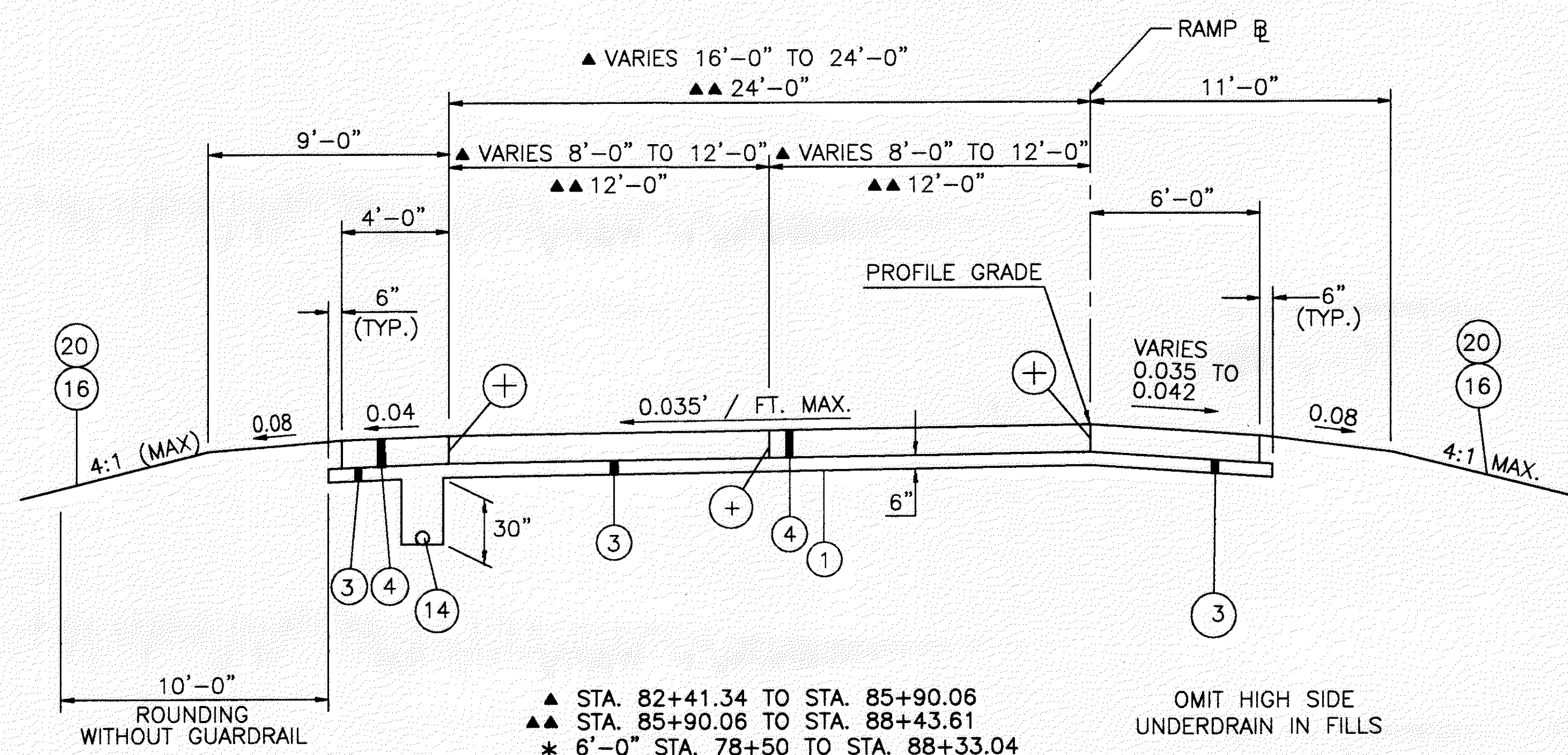


TYPICAL WIDENING FOR EXIT RAMP

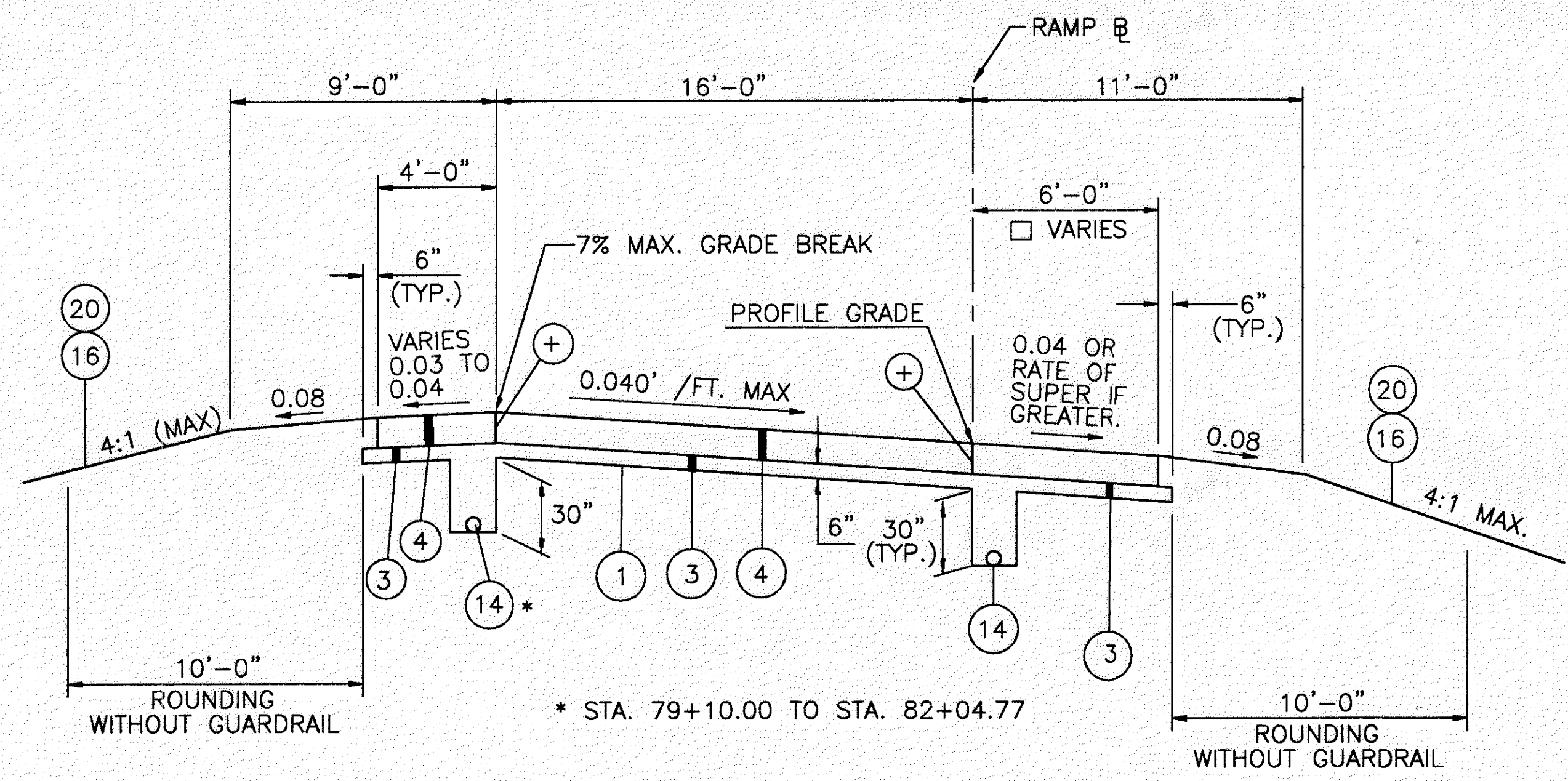
STA. 70+00.00 TO STA. 73+18.51 = 318.51 LIN. FT.
STA. 73+18.51 TO STA. 73+58.51 - SUPERELEVATION TRANSITION = 40.00 LIN. FT. (CURVE RIGHT)
STA. 73+58.51 TO STA. 78+00.00 - FULL SUPERELEVATION = 441.49 LIN. FT. (CURVE RIGHT)
800.00 LIN. FT.

* VARIES 10'-0" TO 8'-0" STA. 70+00 TO STA. 71+00
** STA. 73+46.51 TO STA. 78+00.00
Ø VARIES STA. 70+00.00 TO STA. 71+00.00
Ø STA. 71+00.00 TO STA. 73+46.51
Ø VARIES STA. 73+46.51 TO STA. 78+00.00



TWO LANE RAMP, SUPERELEVATION SECTION

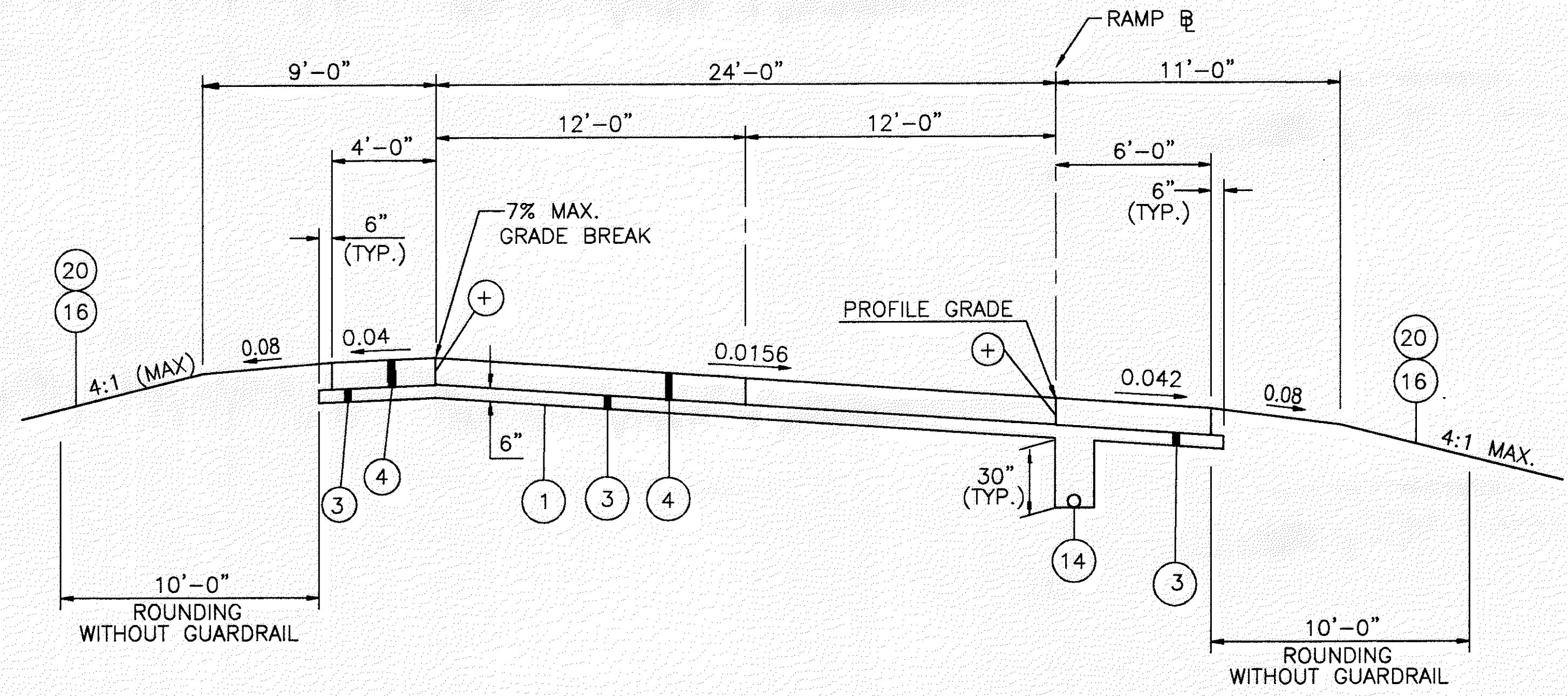
STA. 82+04.77 TO STA. 83+53.23 - SUPERELEVATION TRANSITION = 148.46 LIN. FT. (CURVE LEFT)
STA. 83+53.23 TO STA. 85+45.06 - FULL SUPERELEVATION = 191.83 LIN. FT. (CURVE LEFT)
STA. 85+45.06 TO STA. 86+80.06 - SUPERELEVATION TRANSITION = 135.00 LIN. FT. (CURVE LEFT)
475.29 LIN. FT.



ONE LANE RAMP, SUPERELEVATED SECTION

STA. 78+00.00 TO STA. 79+00.00 - FULL SUPERELEVATION = 100.00 LIN. FT. (CURVE RIGHT)
STA. 79+00.00 TO STA. 79+40.00 - SUPERELEVATION TRANSITION = 40.00 LIN. FT. (CURVE RIGHT)
STA. 79+40.00 TO STA. 80+35.11 - FULL SUPERELEVATION = 95.11 LIN. FT. (CURVE RIGHT)
STA. 80+35.11 TO STA. 82+04.77 - SUPERELEVATION TRANSITION = 169.66 LIN. FT. (CURVE RIGHT)
404.77 LIN. FT.

□ VARIES 8'-0" TO 6'-0" STA. 78+00 TO STA. 78+50



TWO LANE RAMP, NORMAL SECTION

STA. 86+80.06 TO STA. 87+40.06 - SUPERELEVATION TRANSITION = 60.00 LIN. FT.
STA. 87+40.06 TO STA. 88+10.06 - NORMAL = 70.00 LIN. FT.
STA. 88+10.06 TO STA. 88+85.16 - WARP = 75.10 LIN. FT.
205.10 LIN. FT.

FOR LEGEND SEE SHEET 6.

SR 615
I.R. 90 PROPOSED RAMP "C" TYPICAL SECTIONS

LAK-IR90/SR615-9.26/1.51