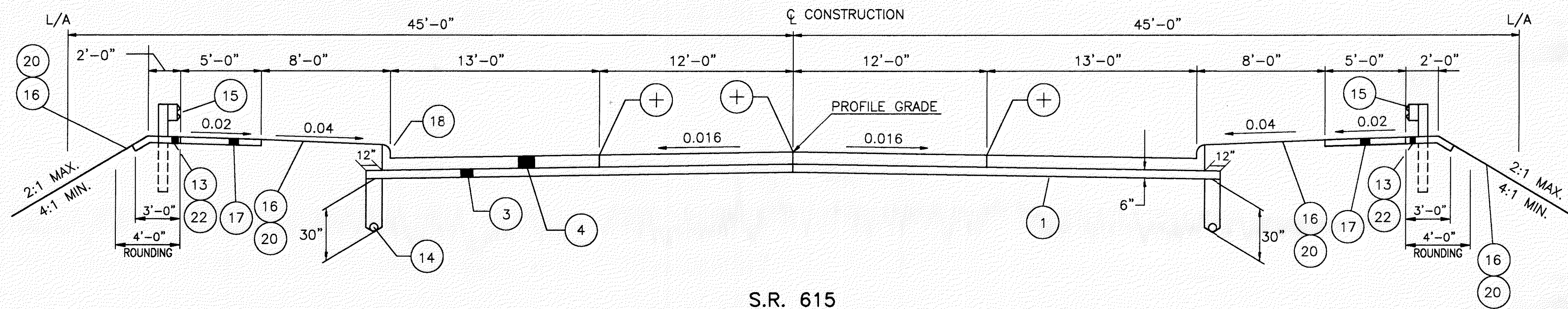
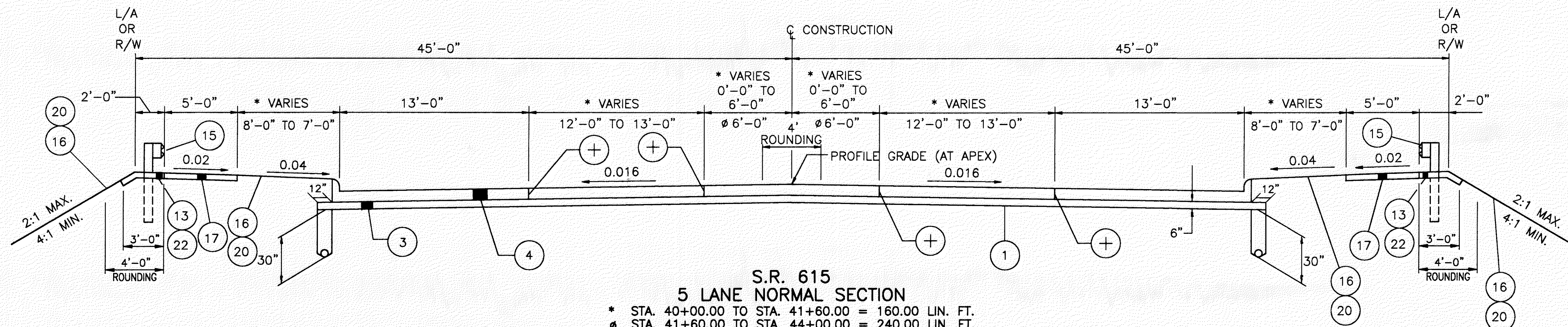


**S.R. 615**  
**3 LANE NORMAL SECTION**  
 STA. 26+97.86 TO STA. 27+78.85 = 80.99 LIN. FT.  
 STA. 32+22.29 TO STA. 37+00.00 = 477.71 LIN. FT.  
 558.70 LIN. FT.



**S.R. 615**  
**4 LANE NORMAL SECTION**  
 STA. 37+00.00 TO STA. 40+00.00 = 300.00 LIN. FT.



**S.R. 615**  
**5 LANE NORMAL SECTION**  
 \* STA. 40+00.00 TO STA. 41+60.00 = 160.00 LIN. FT.  
 \* STA. 41+60.00 TO STA. 44+00.00 = 240.00 LIN. FT.  
 400.00 LIN. FT.

FOR LEGEND SEE SHEET 6.

H:\CT\97125\SDSK\97125204.DWG - PLOT SCALE 1"=4'

SR 615  
 PROPOSED TYPICAL SECTIONS

LAK-IR90/SR615-9.26/1.51