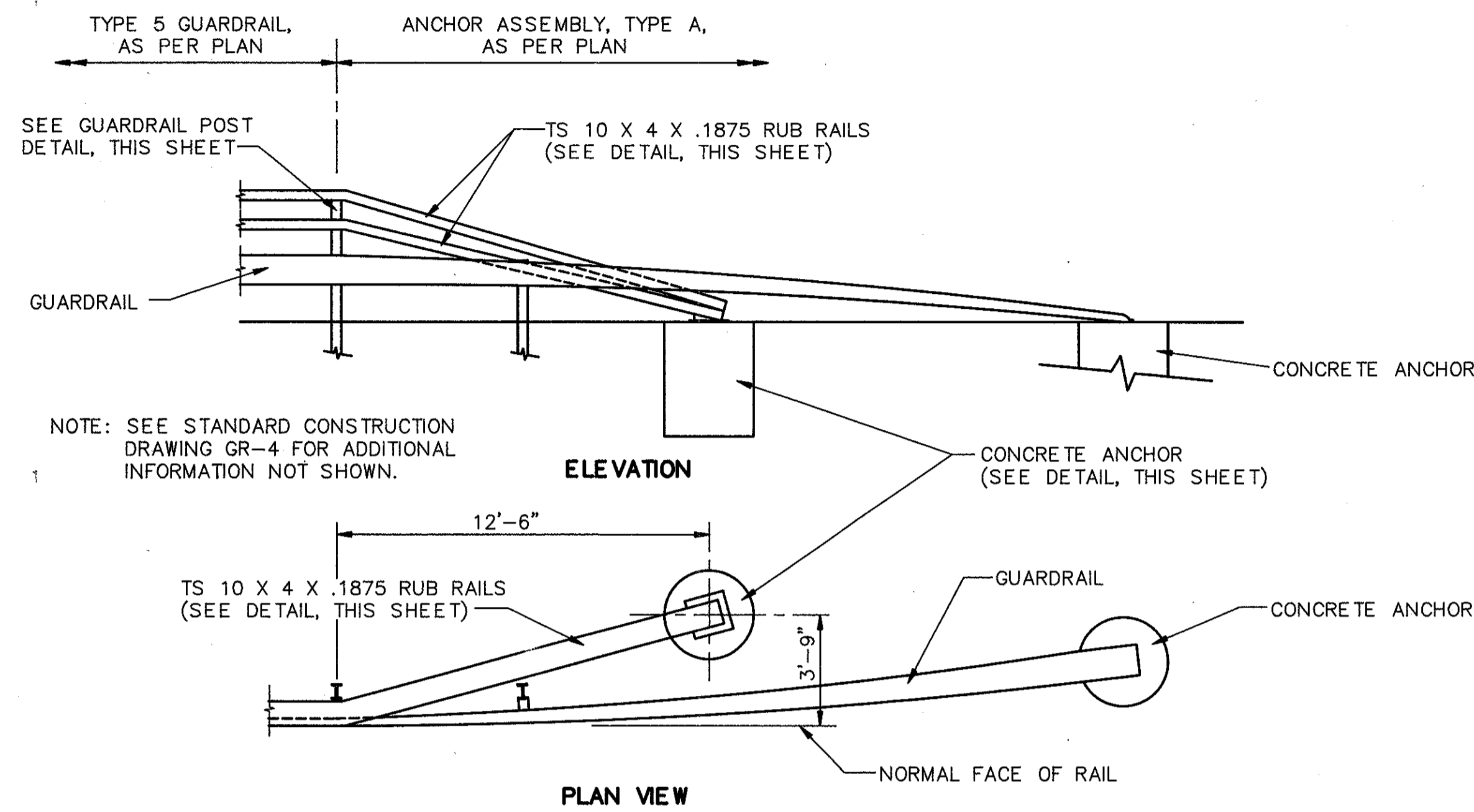
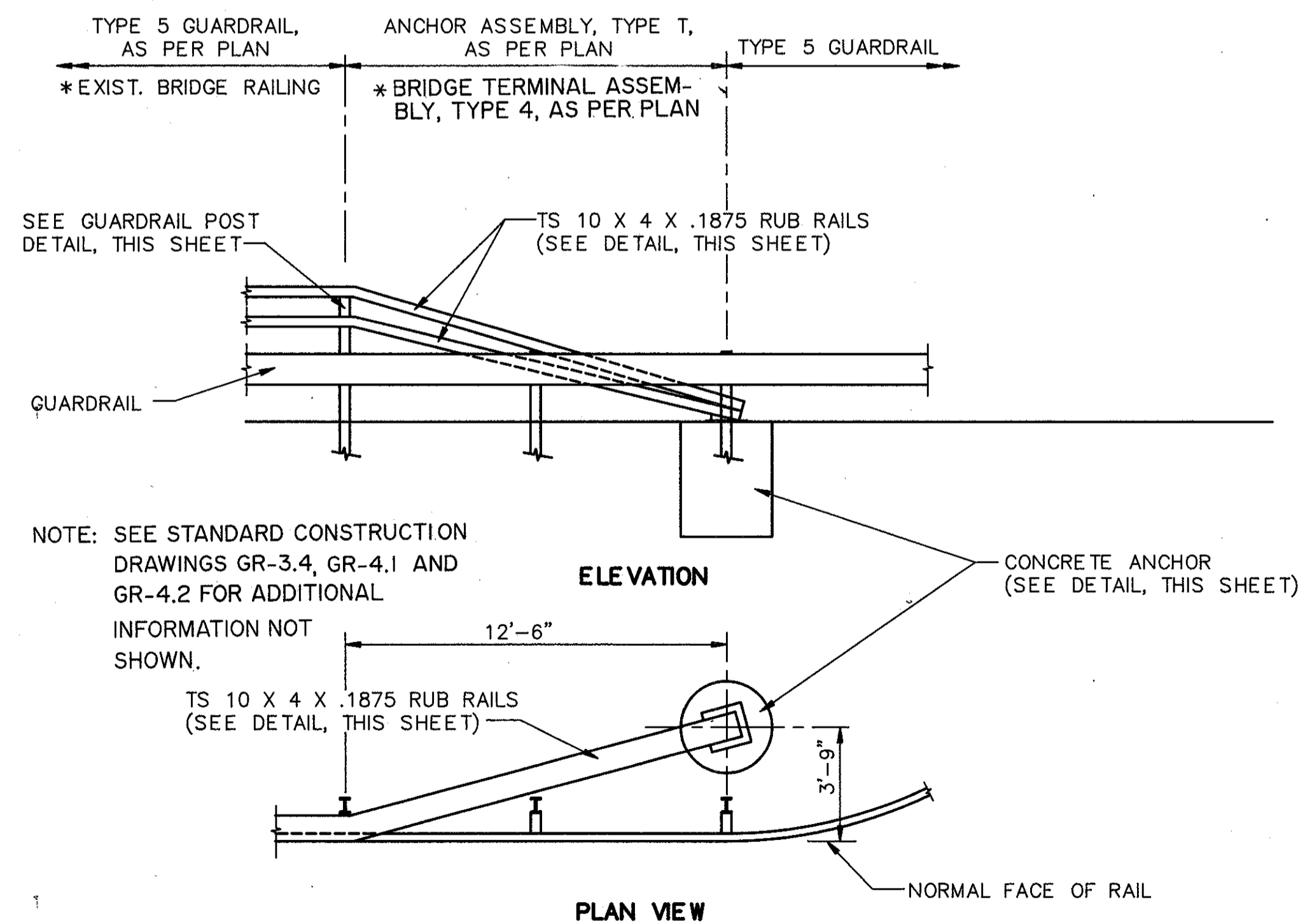


# MISCELLANEOUS DETAILS



NOTE: SEE STANDARD CONSTRUCTION DRAWING GR-4 FOR ADDITIONAL INFORMATION NOT SHOWN.

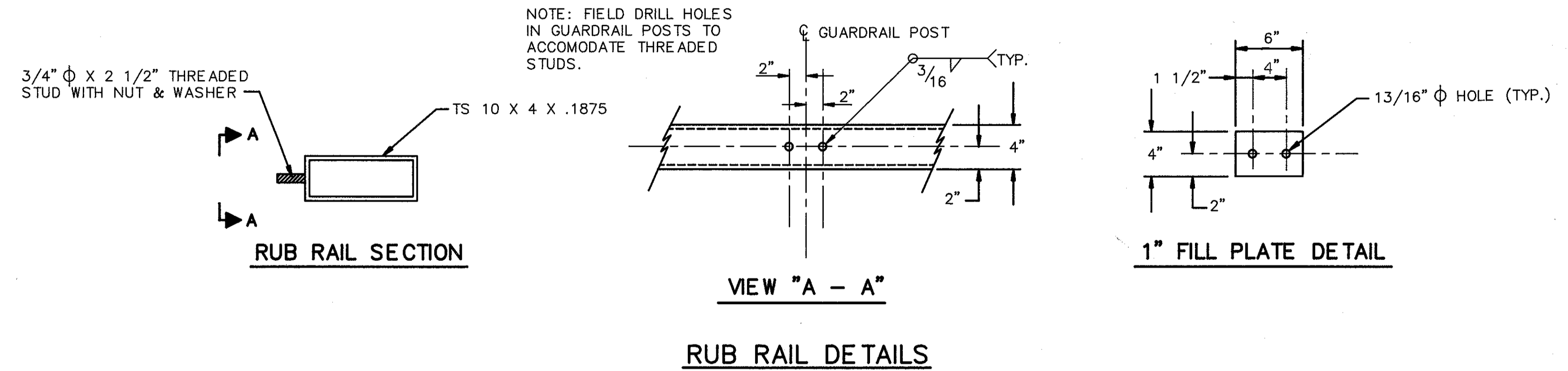
ITEM 606 - ANCHOR ASSEMBLY, TYPE A, AS PER PLAN



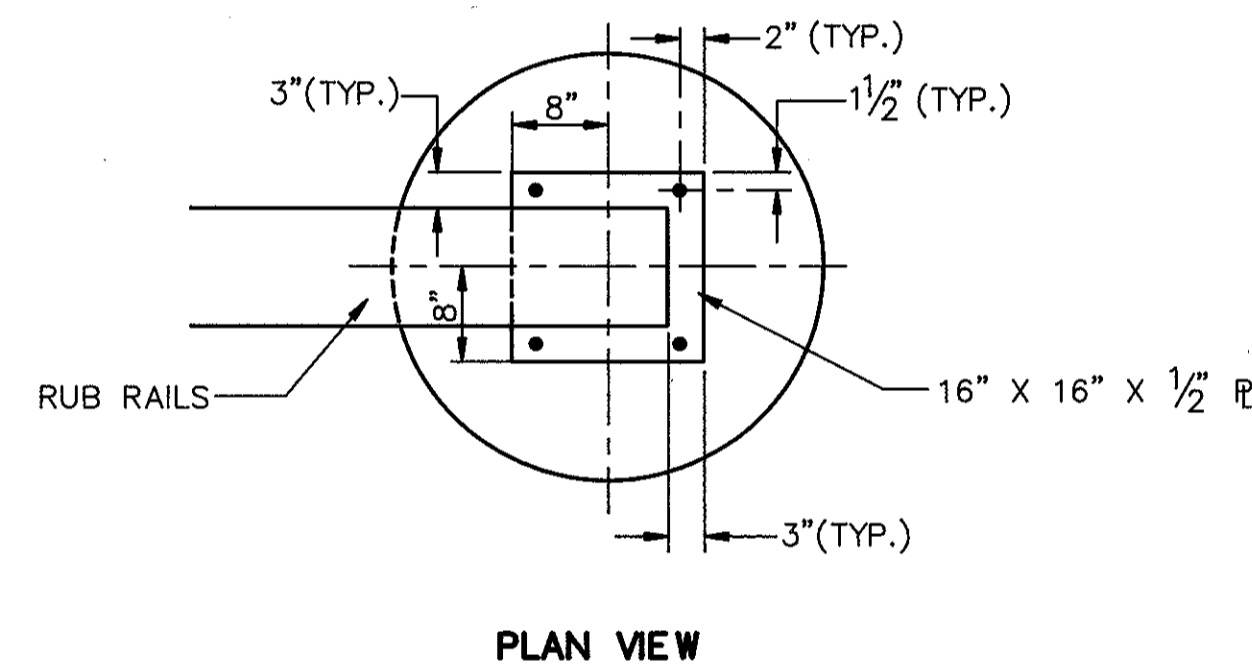
NOTE: SEE STANDARD CONSTRUCTION DRAWINGS GR-3.4, GR-4.1 AND GR-4.2 FOR ADDITIONAL INFORMATION NOT SHOWN.

ITEM 606 - ANCHOR ASSEMBLY, TYPE T, AS PER PLAN

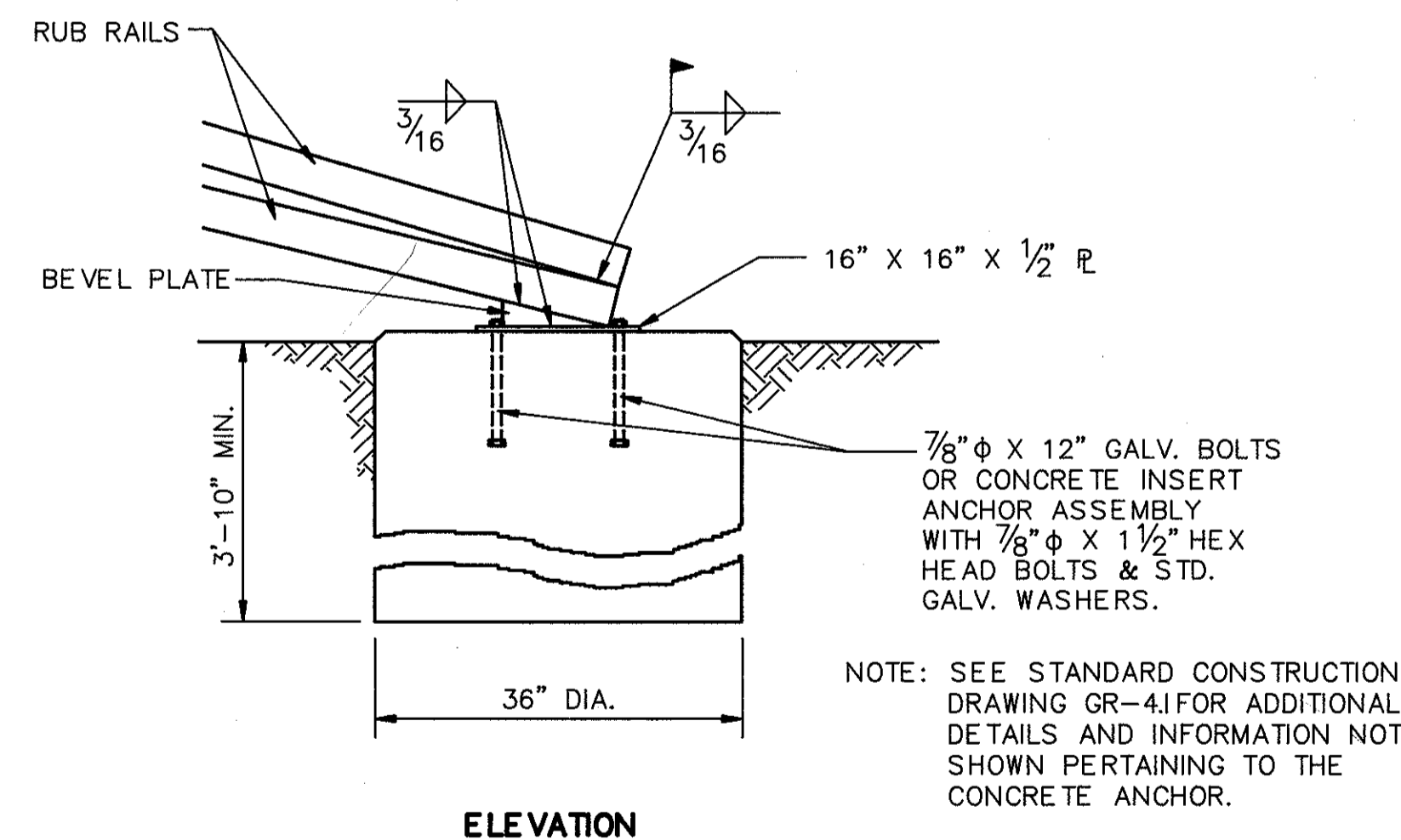
\*ITEM 606 - BRIDGE TERMINAL ASSEMBLY, TYPE 4, AS PER PLAN



NOTE: FIELD DRILL HOLES IN GUARDRAIL POSTS TO ACCOMMODATE THREADED STUDS.



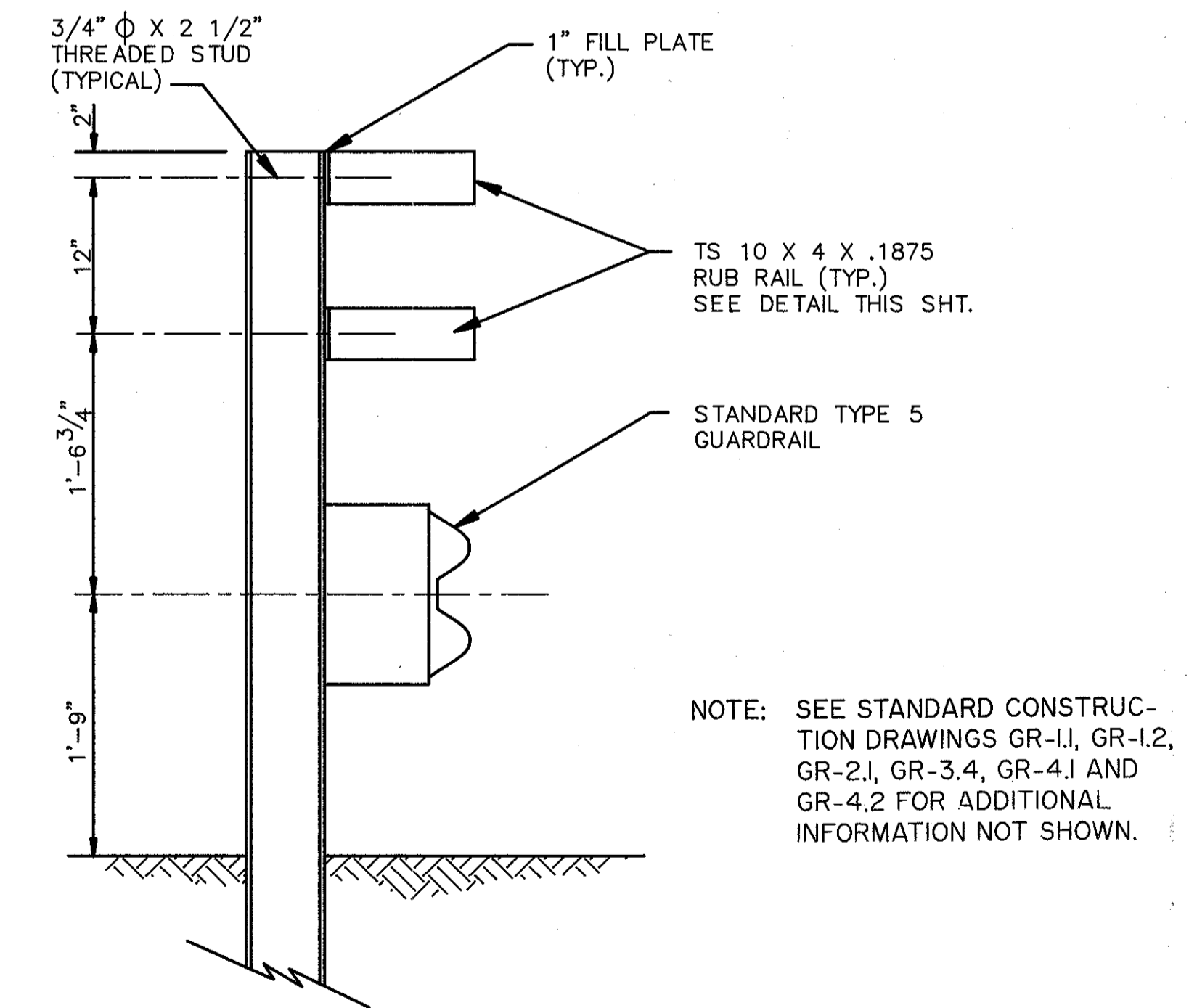
PLAN VIEW



ELEVATION

CONCRETE ANCHOR AND RUB RAIL ATTACHMENT DETAIL

NOTE: SEE STANDARD CONSTRUCTION DRAWING GR-41 FOR ADDITIONAL DETAILS AND INFORMATION NOT SHOWN PERTAINING TO THE CONCRETE ANCHOR.



NOTE: SEE STANDARD CONSTRUCTION DRAWINGS GR-1.1, GR-1.2, GR-2.1, GR-3.4, GR-4.1 AND GR-4.2 FOR ADDITIONAL INFORMATION NOT SHOWN.

ITEM 606 - GUARDRAIL, TYPE 5, AS PER PLAN POST & RUB RAIL DETAILS