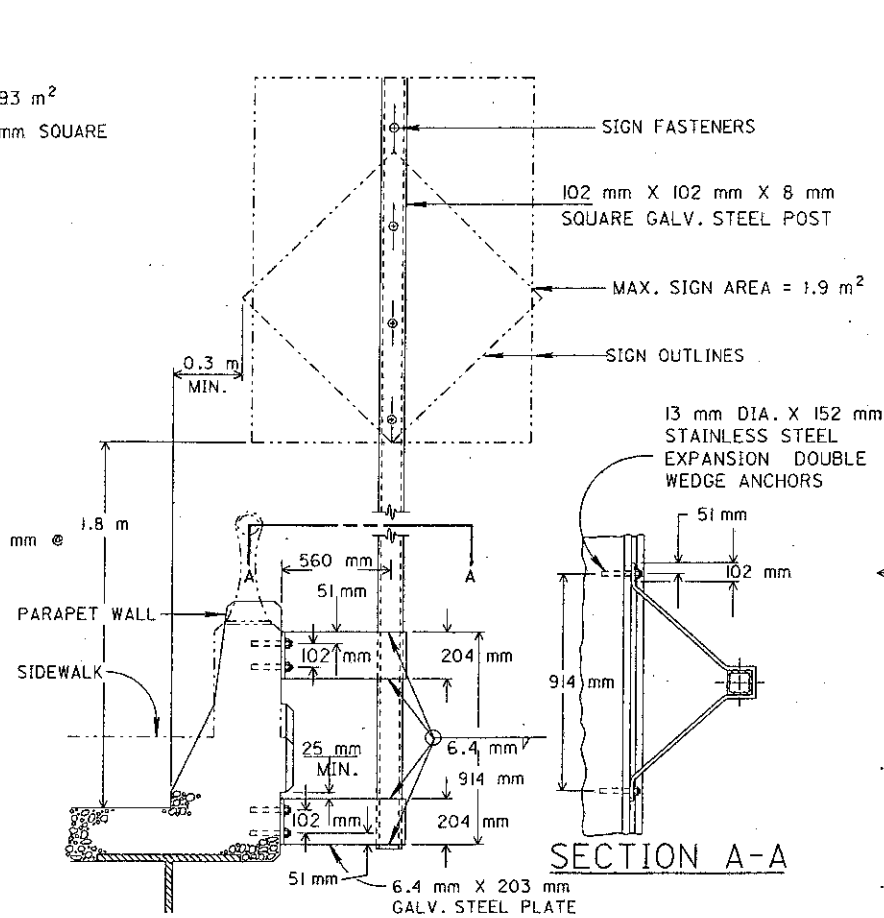
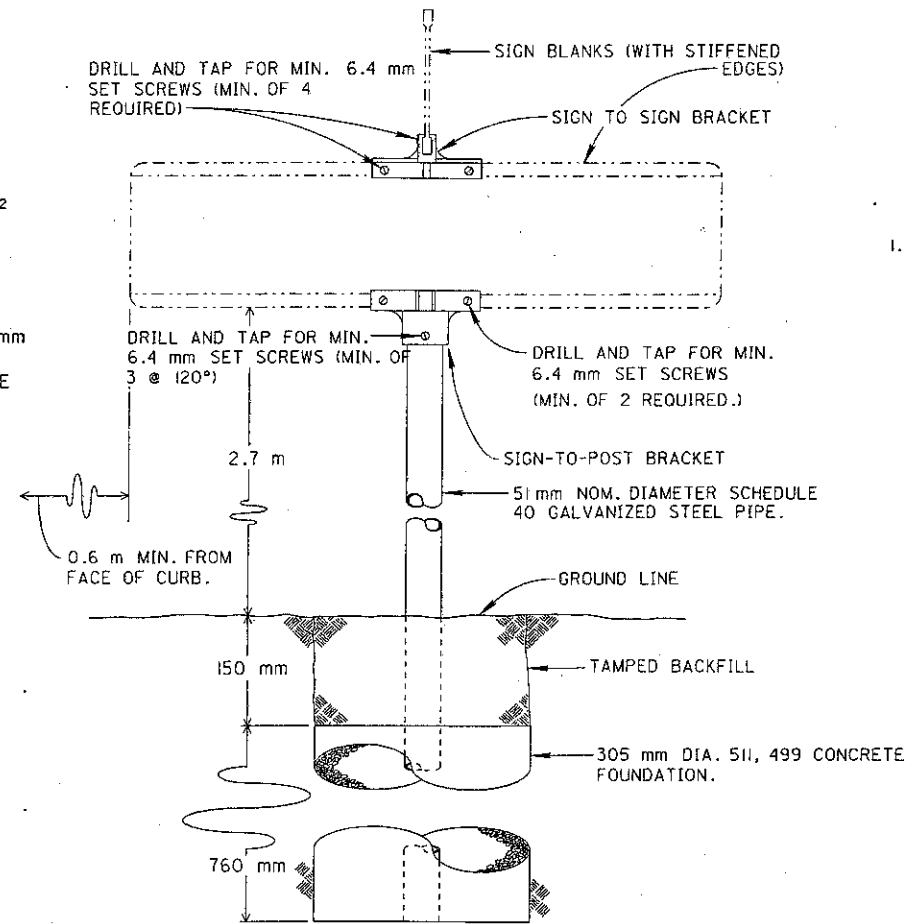


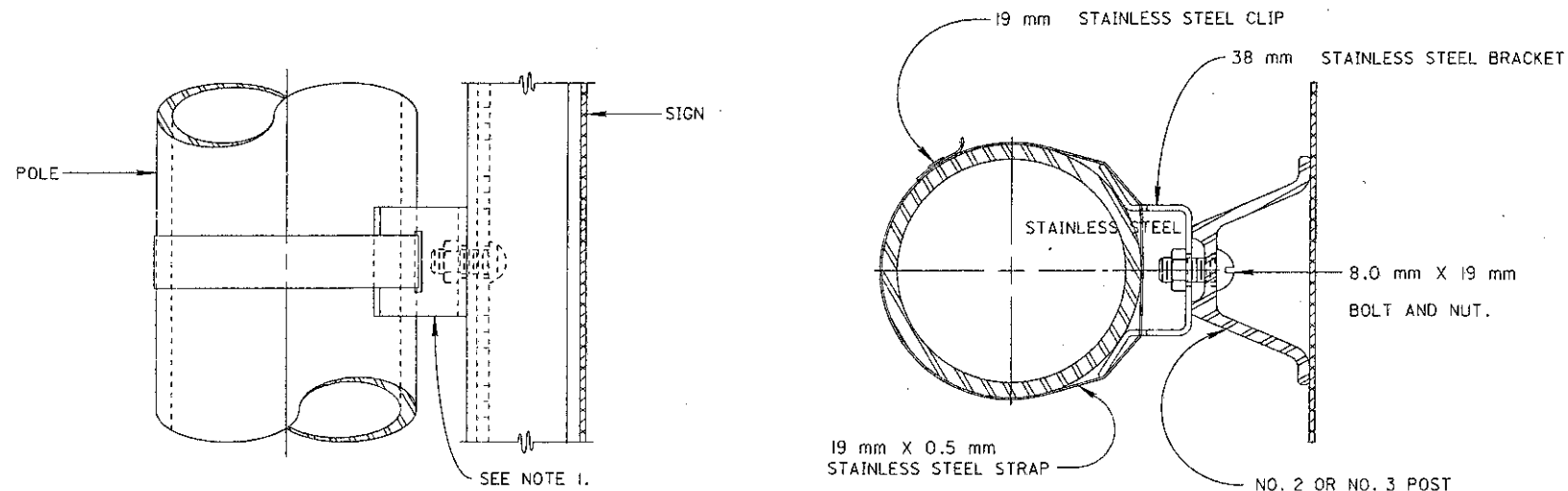
SIGN SUPPORT ASSEMBLY,  
BRIDGE MOUNTED, TYPE 1.



SIGN SUPPORT ASSEMBLY,  
BRIDGE MOUNTED, TYPE 2.



STREET NAME SIGN SUPPORT



SIGN SUPPORT ASSEMBLY, POLE MOUNTED

NOTES

1. USE MINIMUM OF 2 BRACKETS (LOCATED 150 mm FROM TOP AND BOTTOM OF SIGN) PER INSTALLATION WITH MAXIMUM SPACING OF 0.9 m.

M E T R I C

BUREAU OF DESIGN SERVICES  
DIVISION OF HIGHWAYS  
OHIO DEPARTMENT OF TRANSPORTATION

TRAFFIC CONTROL

DATE  
03/31/94

SPECIAL SIGN  
ATTACHMENTS AND SUPPORTS

STANDARD  
CONSTRUCTION  
DRAWING  
APPROVED: *[Signature]* ENGR. OF DESIGN SERVICES

TC-41.40M