

# NOTES

**GENERAL:** With normal soil and site conditions this standard precast manhole may be used for any required manhole depth. Sections of the precast manhole shall be cast and assembled with either all tongue or all groove ends up. Lift holes may be provided in each section for handling.

**TOP AND TRANSITION (OR REDUCER):** This section shall be a flat slab unless an eccentric cone is specified.

**BASE:** Manhole No. 3 is shown with a monolithic floor and riser which may be cast in one or two operations. A permissible alternate is to cast and ship the floor and barrel separately. Openings for inlet and outlet pipes shall be provided, either when the unit is cast or later, to meet project requirements. Bottom channels may be formed of concrete, precast in the base or field constructed as shown on Std. Constr. Dwgs. MH-1.1M and MH-3.1M.

**RISER SECTIONS:** Openings for 450 mm and smaller inlet pipes may be either prefabricated, or cut in the field provided the sides of the pipe at the springline do not project into the manhole.

**CONNECTIONS:** Connections between precast manhole sections and pipes on sanitary sewers may be sealed with resilient connectors conforming to ASTM C 923.

**JOINT SEAL:** Seal between precast manhole sections on sanitary sewers shall be resilient and flexible gasket joints per CMS 706.11.

**MATERIALS:** Materials for bases and other precast sections, including reinforcement not specified hereon, shall comply with the requirements of CMS 706.13.

**DROP PIPE:** When specified on the plans, drop pipe shall be constructed as shown on MH-3.1M.

**STEPS, FRAMES AND COVERS:** Shall comply with the requirements set forth on MH-1.1M.

All dimensions are in millimeters unless otherwise noted.



This Drawing Replaces MH-3.

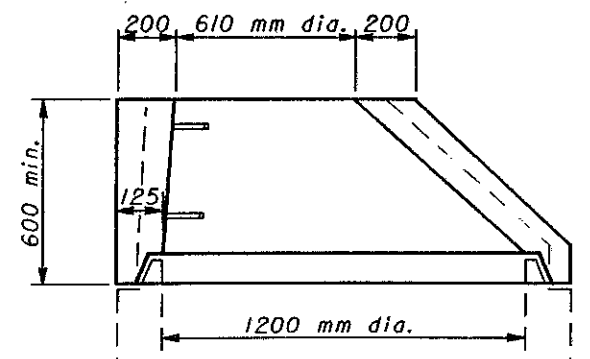
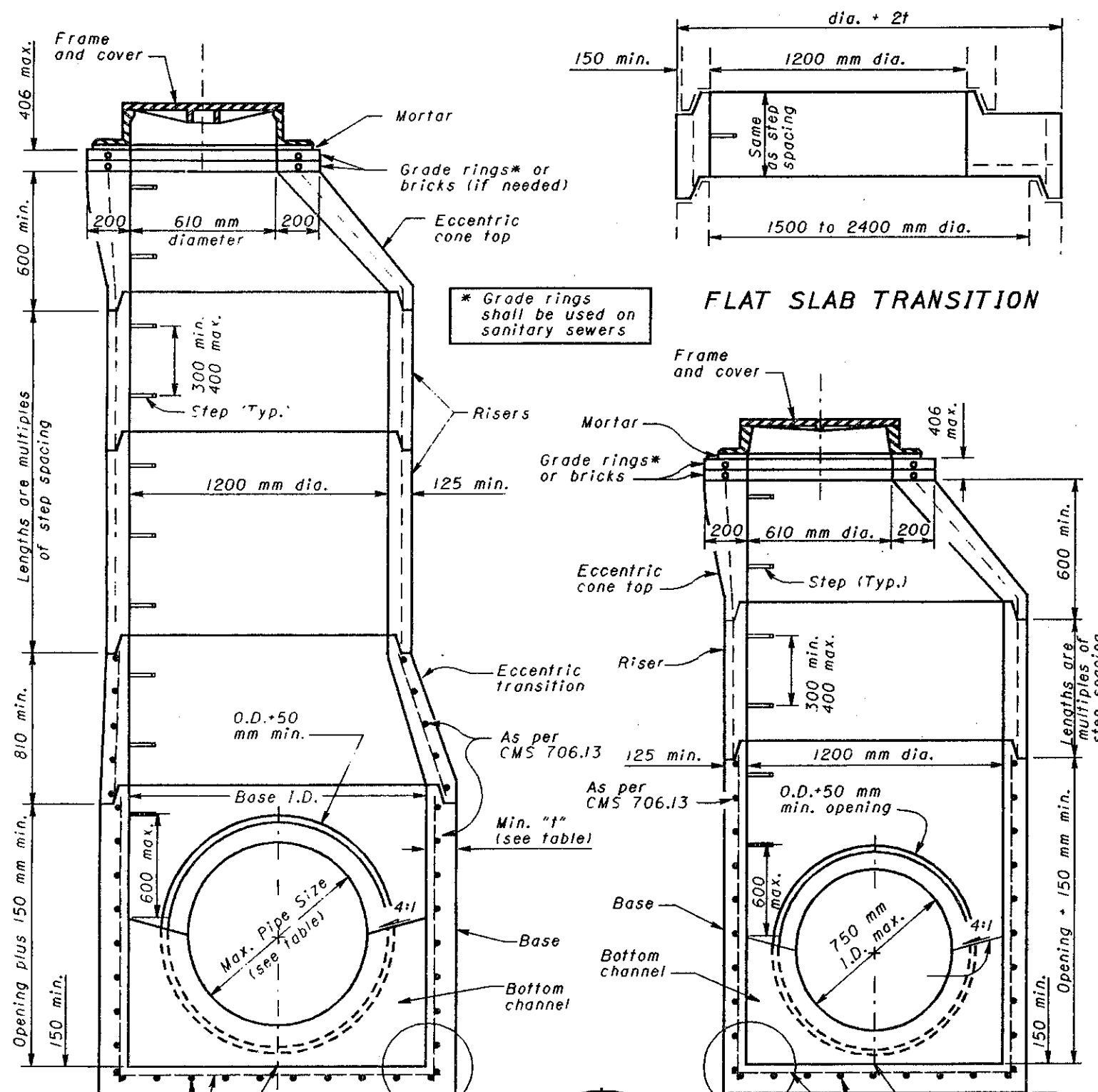
OFFICE OF ROADWAY ENGINEERING  
OHIO DEPARTMENT OF TRANSPORTATION

**MANHOLE No. 3**

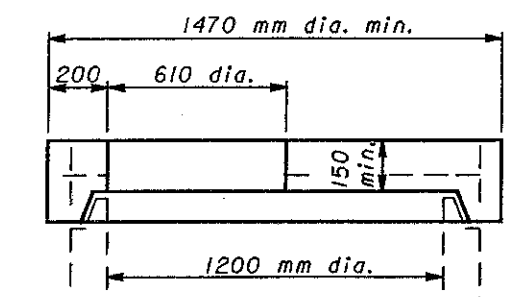
DATE  
9-6-95

STANDARD CONSTRUCTION DRAWING  
**MH-1.2M**

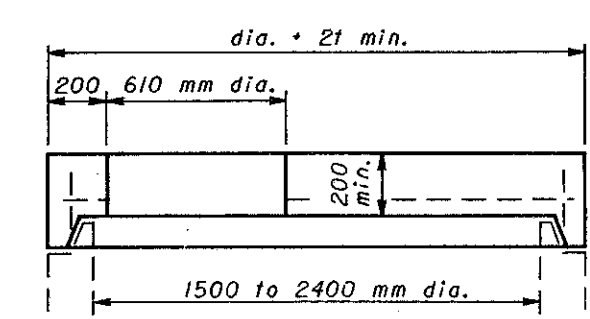
APPROVED *D.K. Hickman, P.E.*  
ADMINISTRATOR



ALTERNATE ECCENTRIC CONE TOP



FLAT SLAB TOP



FLAT SLAB TOP

1500 to 2400 mm PRECAST BASE  
SEE TABLE FOR MAXIMUM PIPE SIZES

1200 mm PRECAST BASE  
FOR 750 mm AND SMALLER PIPE

Base I.D. (mm)	Min. "t" (mm)	Max. Pipe Size (mm)
1500	125	900
1950	150	1200
2100	175	1350
2250	190	1500
2400	200	1500

## SECTION VIEWS OF REINFORCED PRECAST MANHOLES