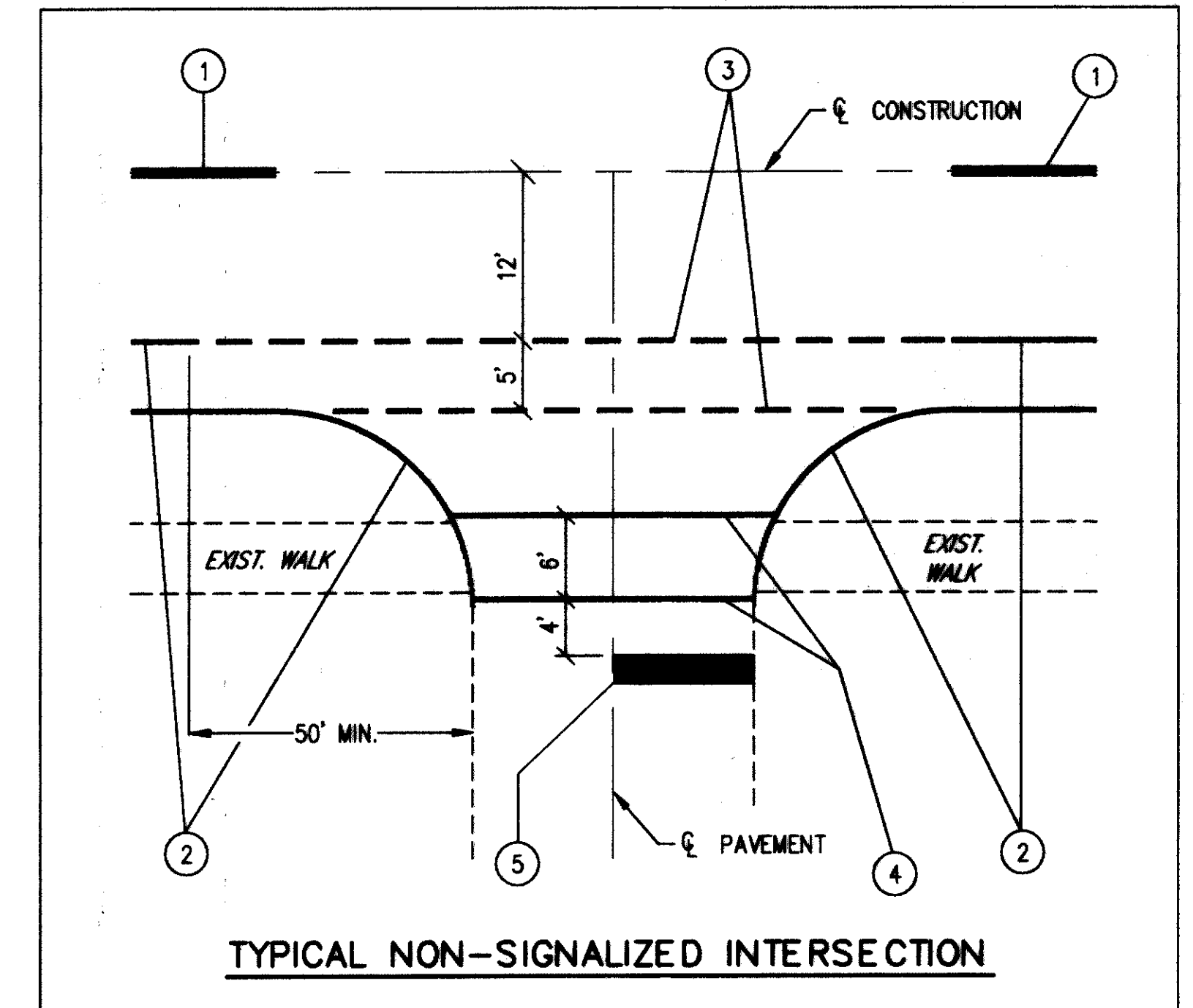
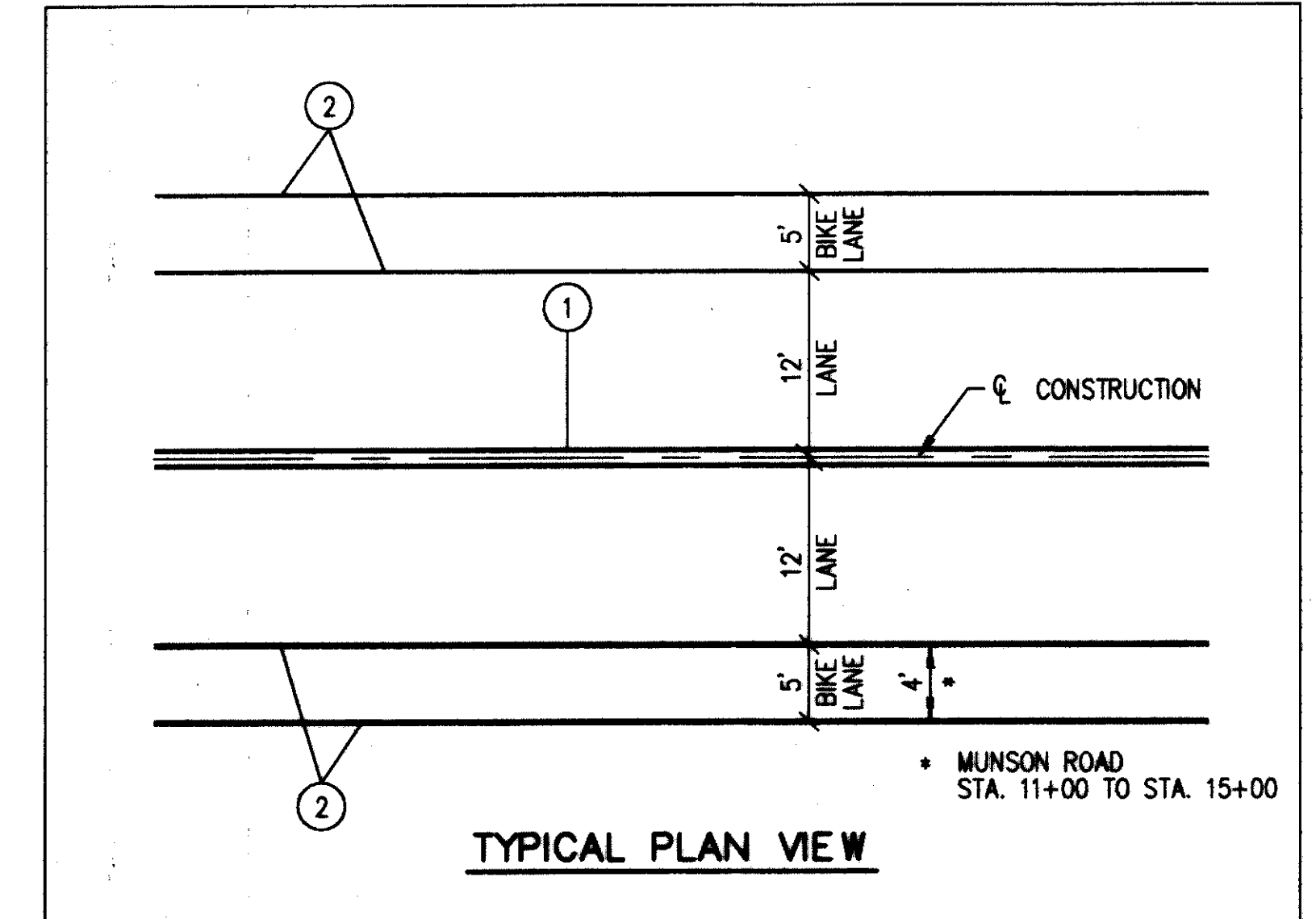
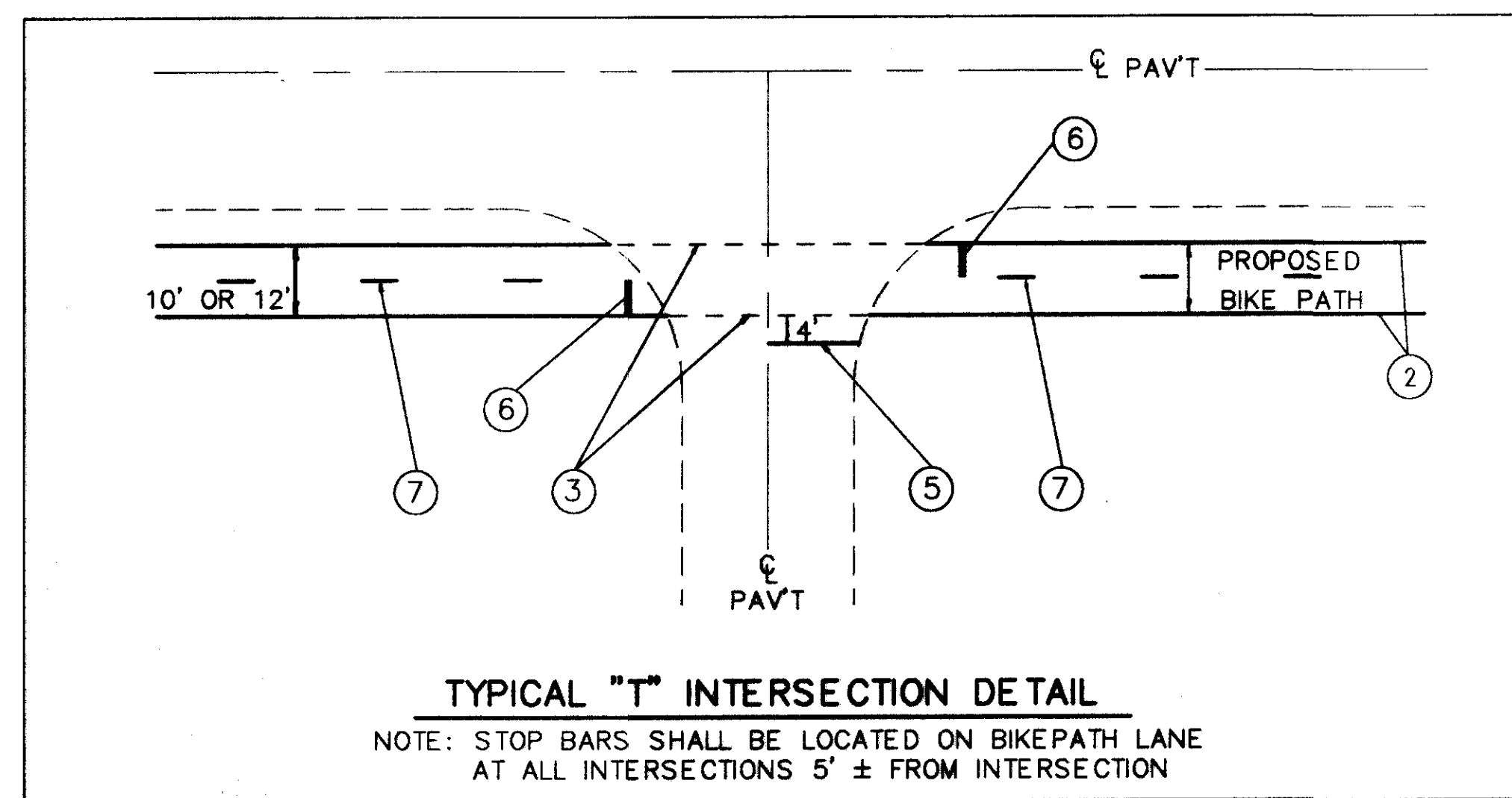
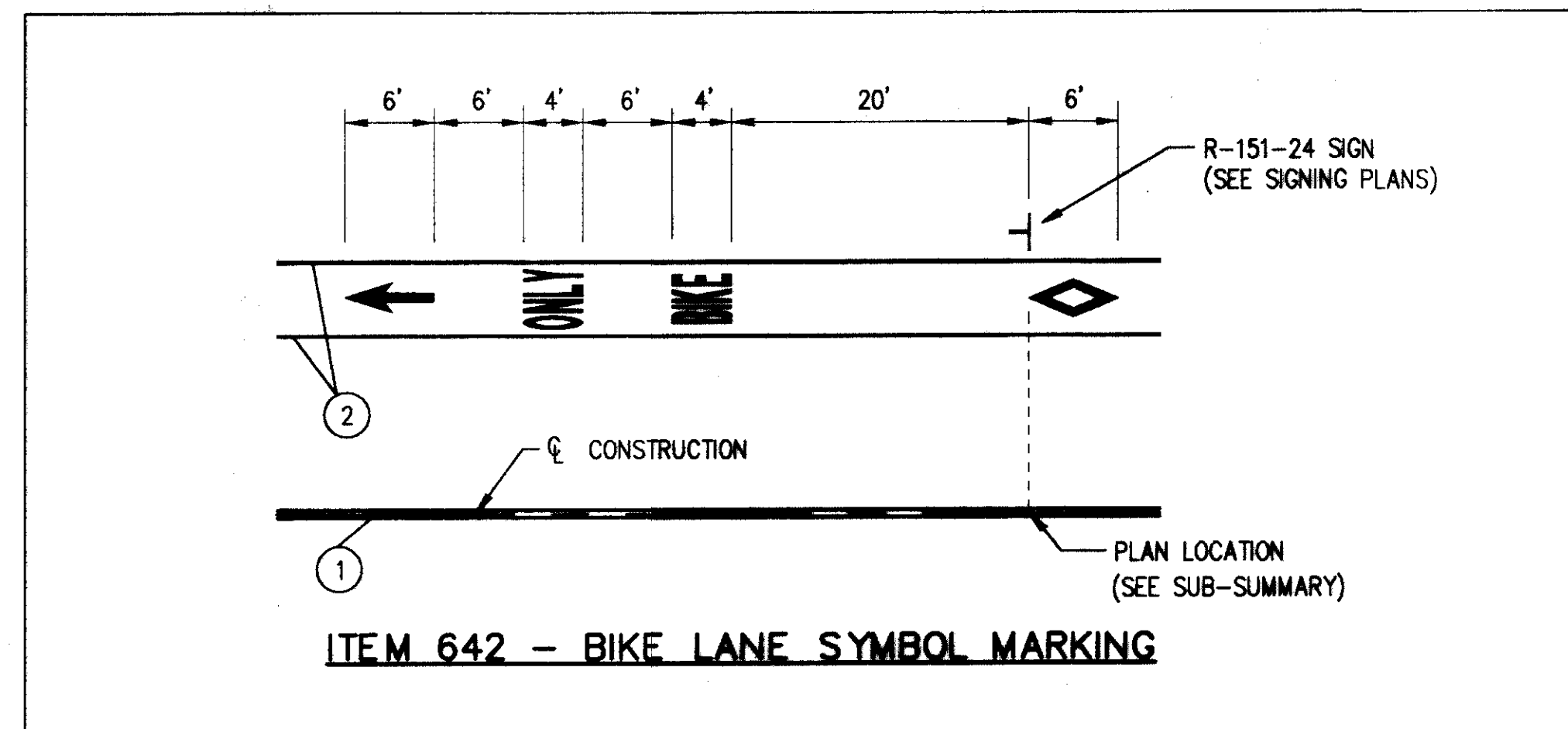
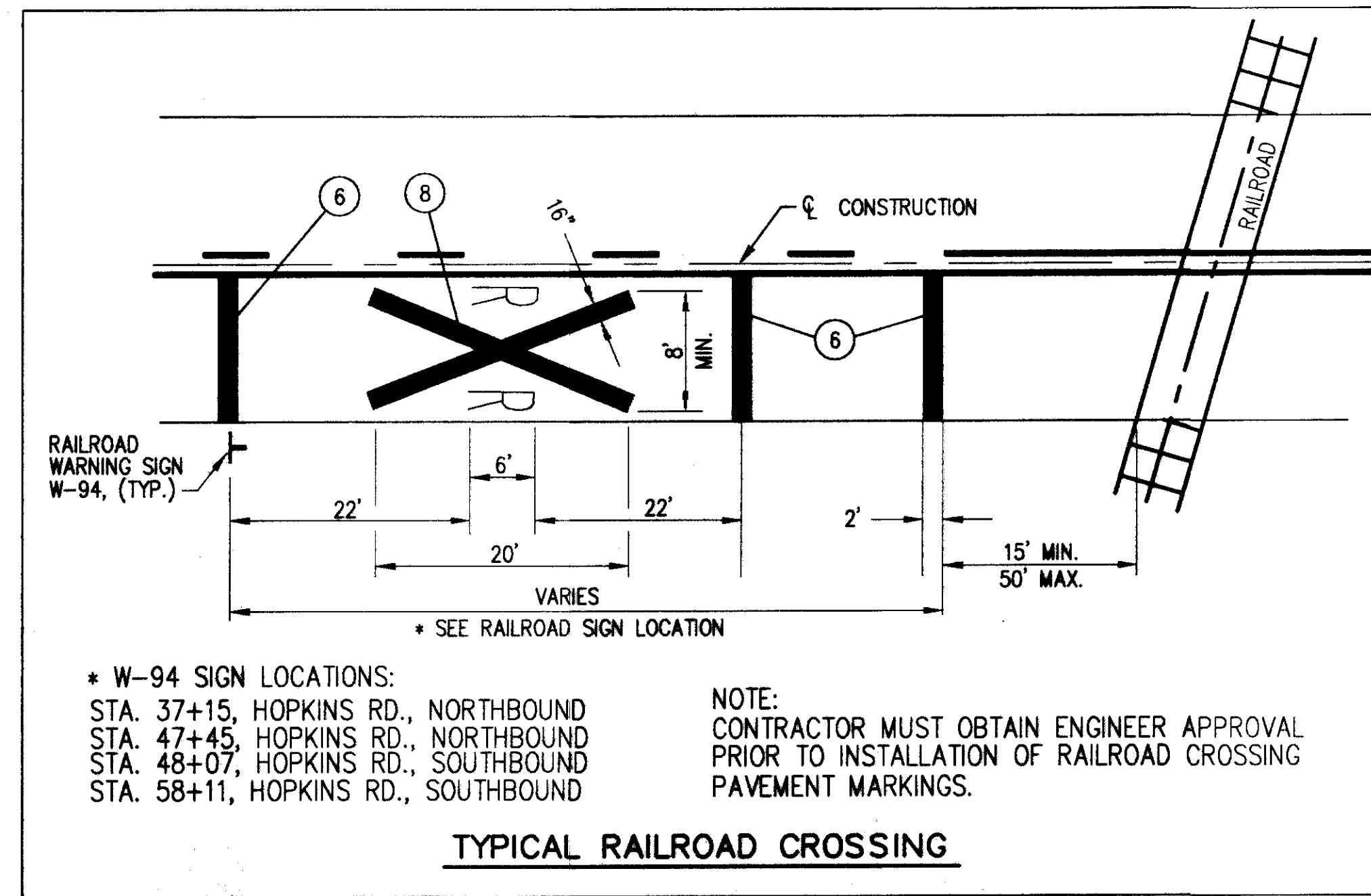
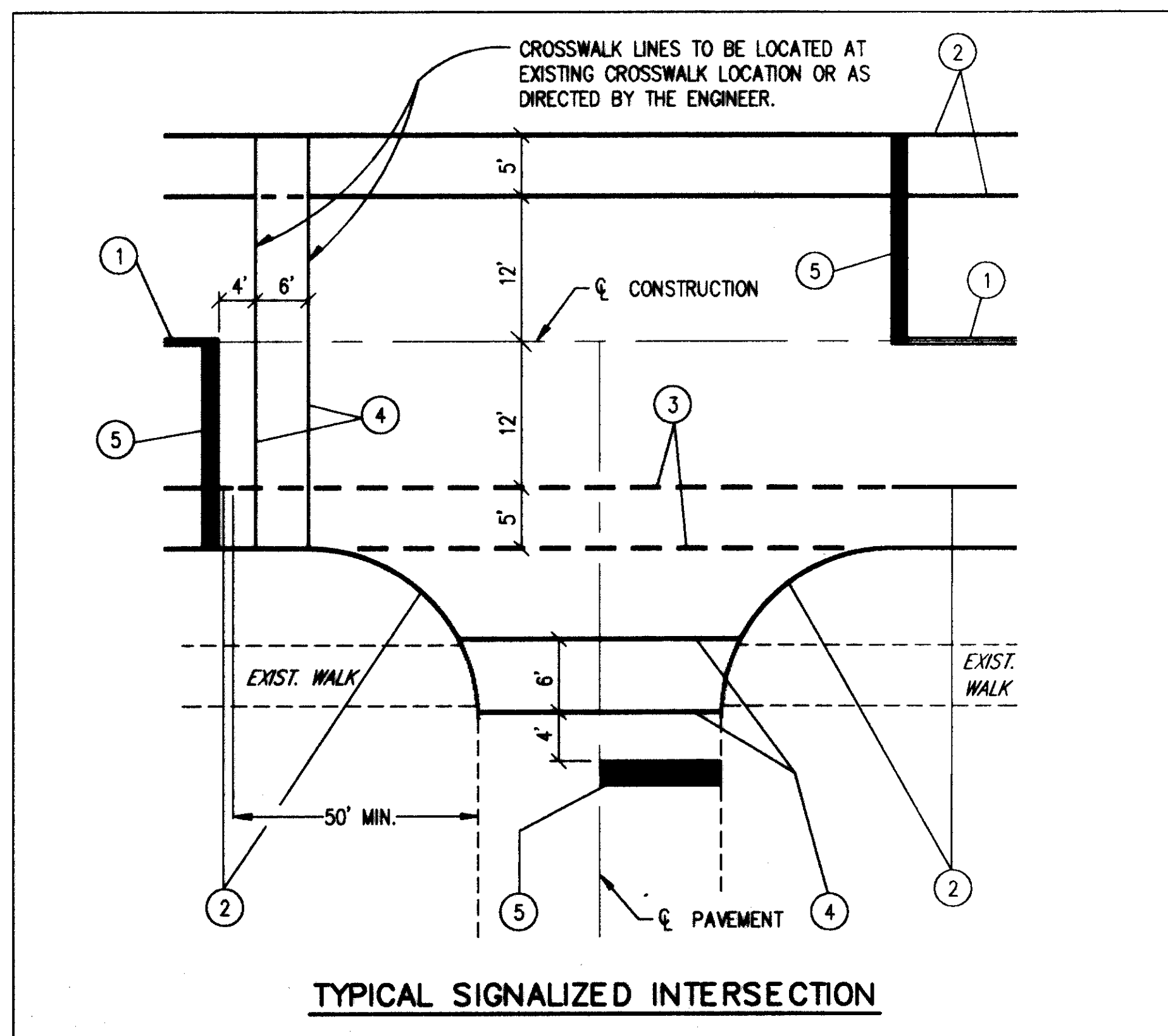
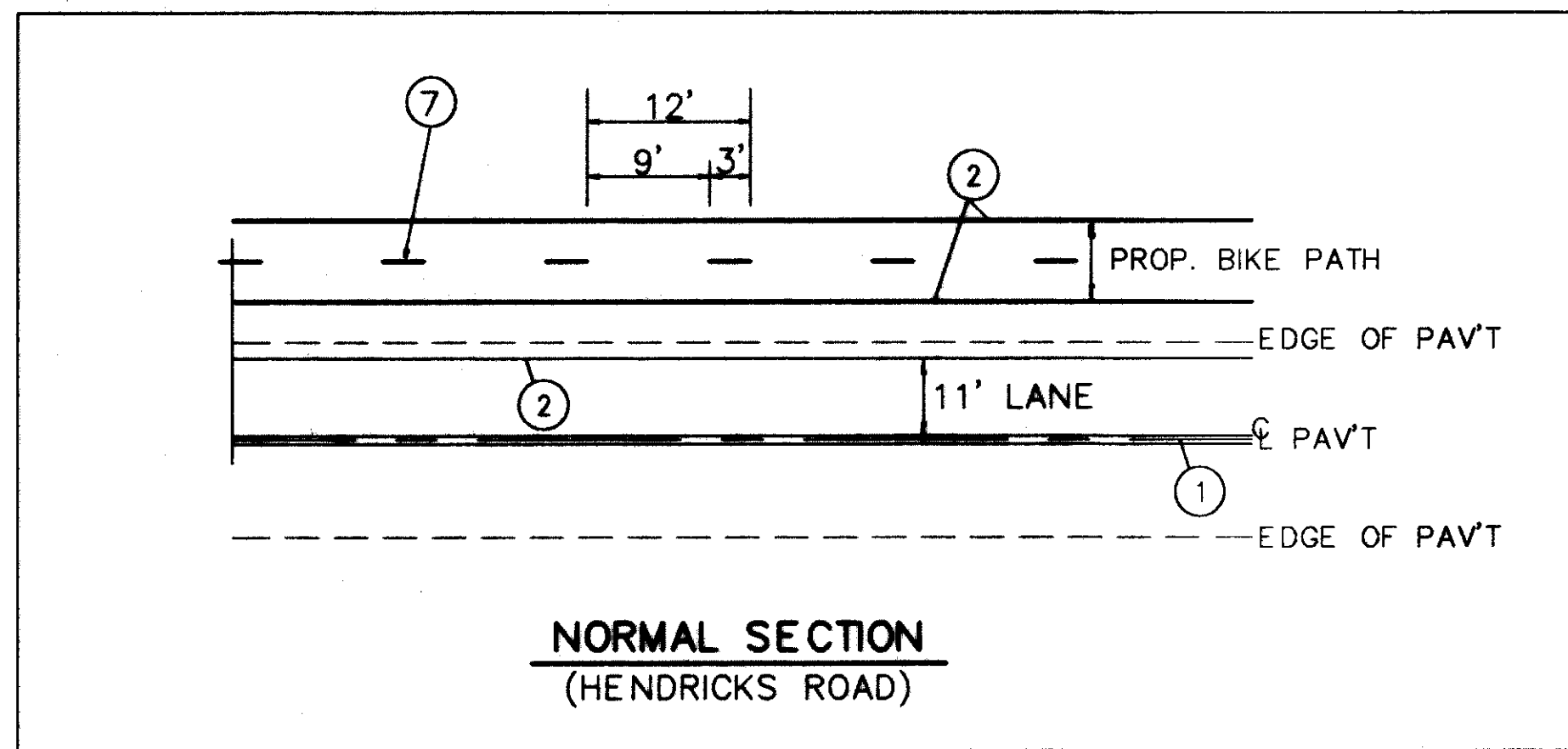
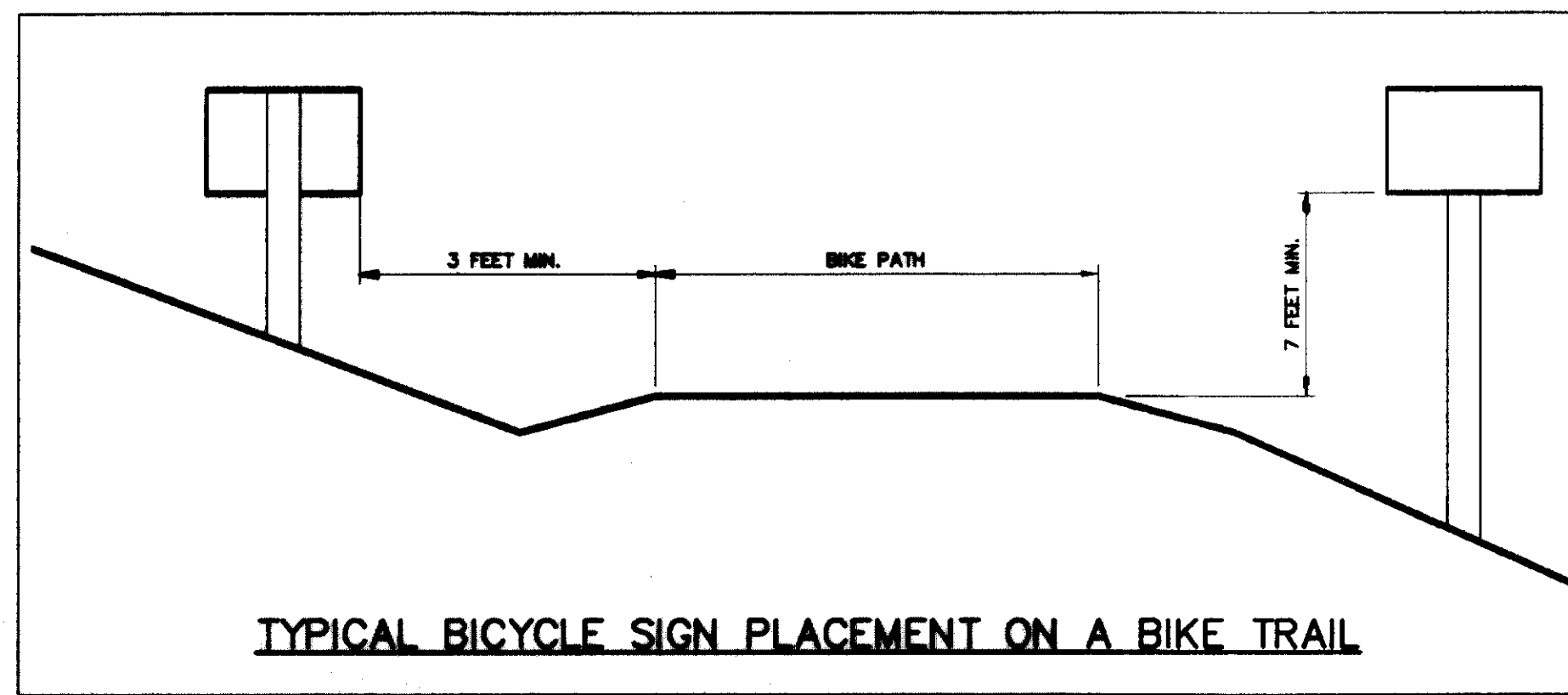


PAVEMENT MARKING & SIGNAGE DETAILS



- LEGEND**
- ① ITEM 642 - CENTER LINE, DOUBLE, SOLID (EXISTING) (PROPOSED) MUNSON ROAD; HENDRICKS ROAD (STA. 16+00 TO STA. 31+00)
 - ② ITEM 642 - EDGE LINE, WHITE
 - ③ ITEM 642 - DOTTED LINE, 4" WHITE
 - ④ ITEM 642 - CROSSWALK LINE
 - ⑤ ITEM 642 - STOP LINE (EXISTING)
 - ⑥ ITEM 642 - STOP LINE
 - ⑦ ITEM 642 - BIKE LANE CENTER LINE, DASHED
 - ⑧ ITEM 642 - RAILROAD SYMBOL MARKING

DATE: 07-26-98, CT CONSULTANTS, INC. H:\CT\PROJECTS\LANE\TRAFFIC\PAVEMENT.MXD, PLOT: 1'-0"