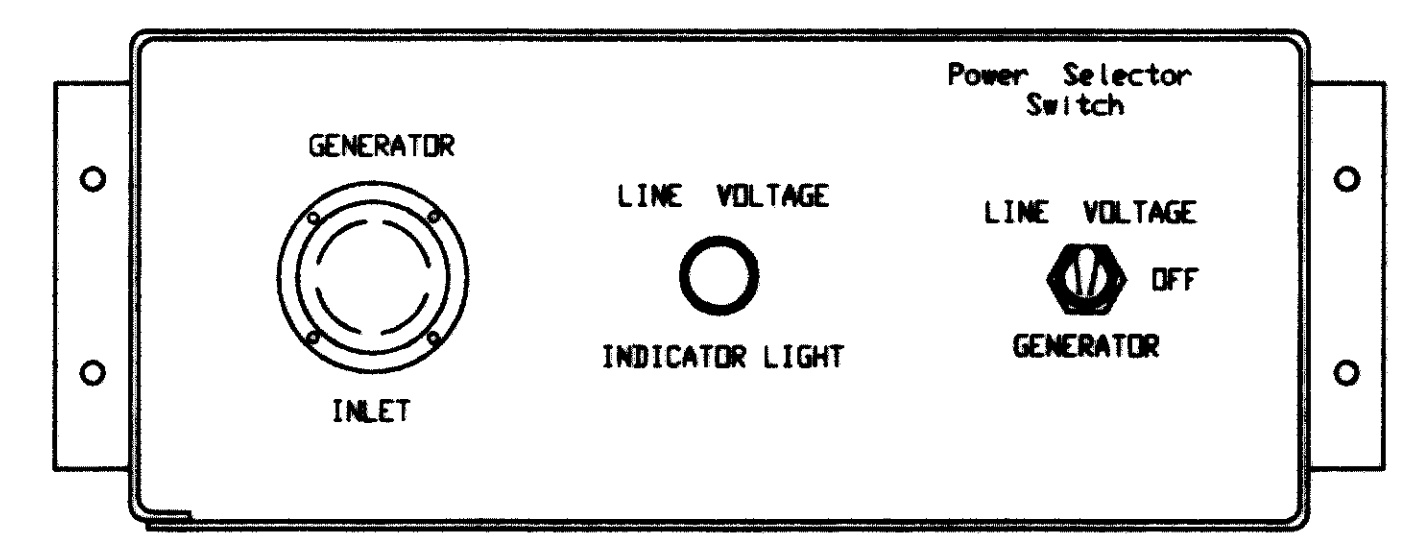
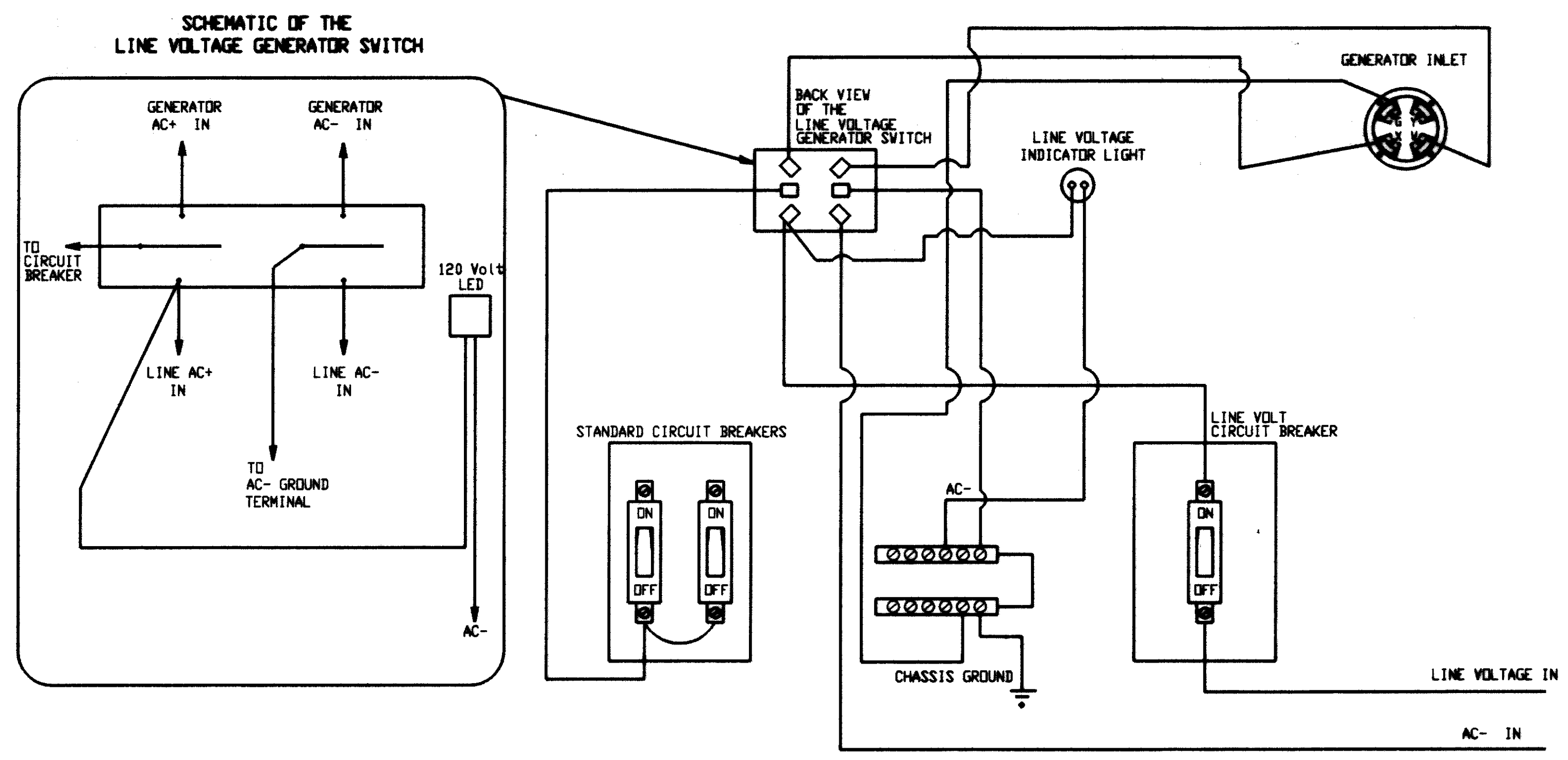


MATERIAL SPECIFICATIONS FOR GENERATOR POWER PANEL EQUIPMENT

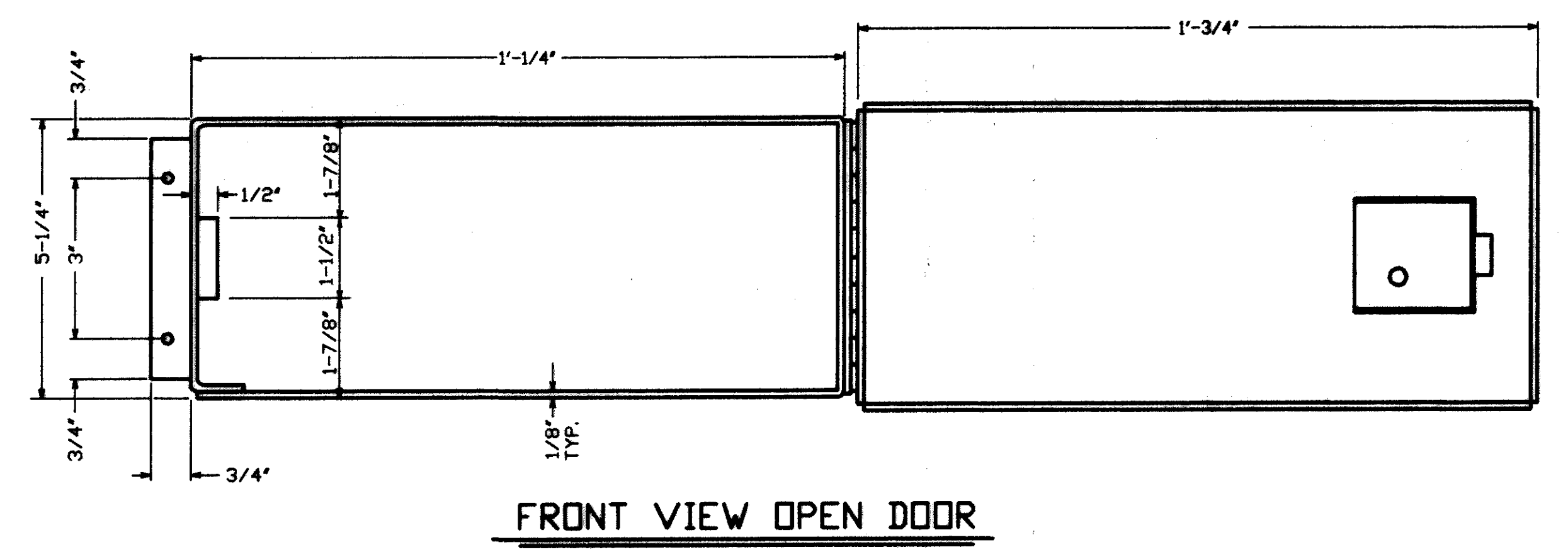
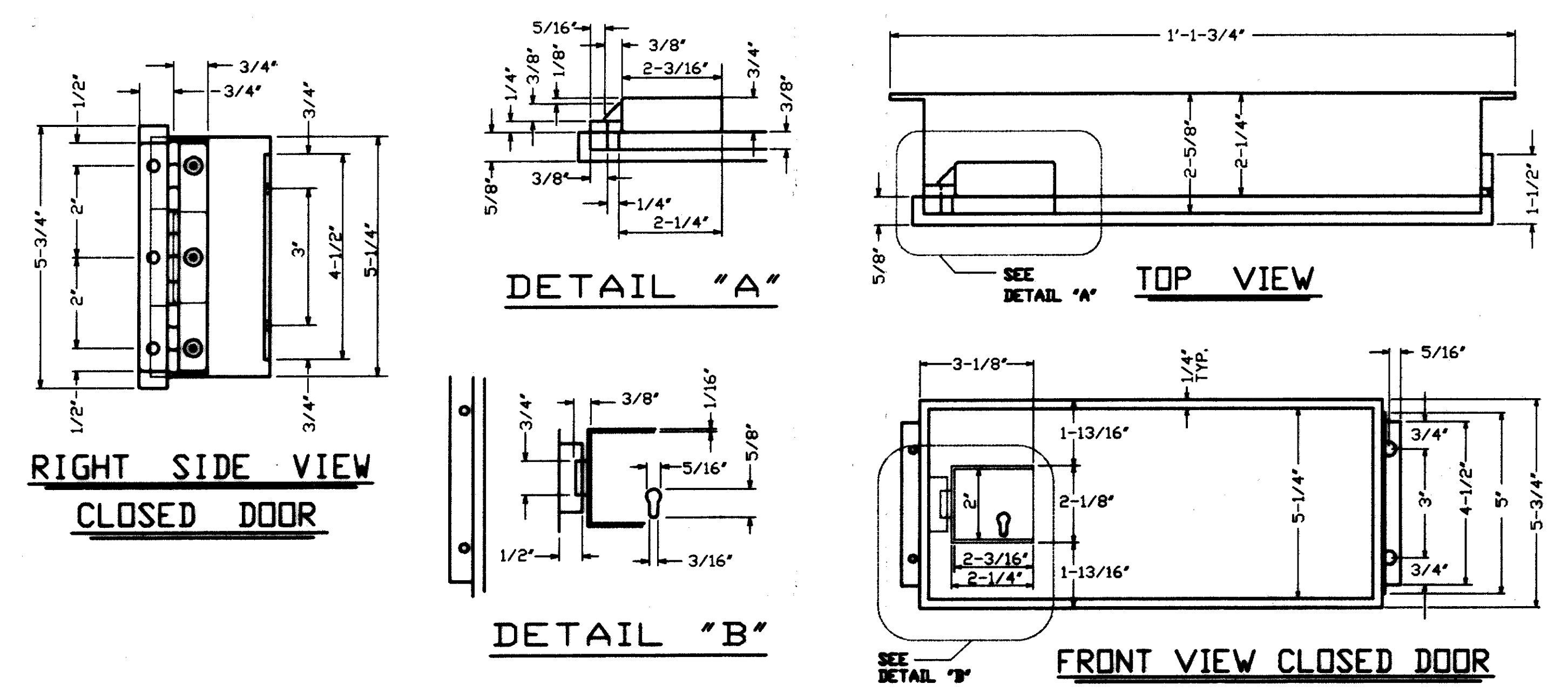
- GENERATOR POWER PANEL ENCLOSURE** --- This item can be fabricated to meet the attached specifications.
- GENERATOR INLET** --- The inlet shall be 30 amp, 125/250V, locking, four (4) wire grounding and meet the NEMA configuration number L14-30-P 30A 125/250V specification. The inlet shall be a Hubbell catalog #2715.
- LINE VOLTAGE GENERATOR SWITCH** --- The switch shall be 30 amp, 125/250V AC, two (2) pole, three (3) position (On, Off, On, Hubbell 1388.)
- LINE VOLTAGE INDICATOR LIGHT** --- The indicator light shall be 125V AC light emitting diode with a red lens.
- LINE VOLTAGE CIRCUIT BREAKER** --- The circuit breaker shall be single pole single throw and a minimum of 30 amps. The amperage shall be increased to accommodate greater loads, if necessary. The gauge of the power cable shall be of proper size per the N.E.C.



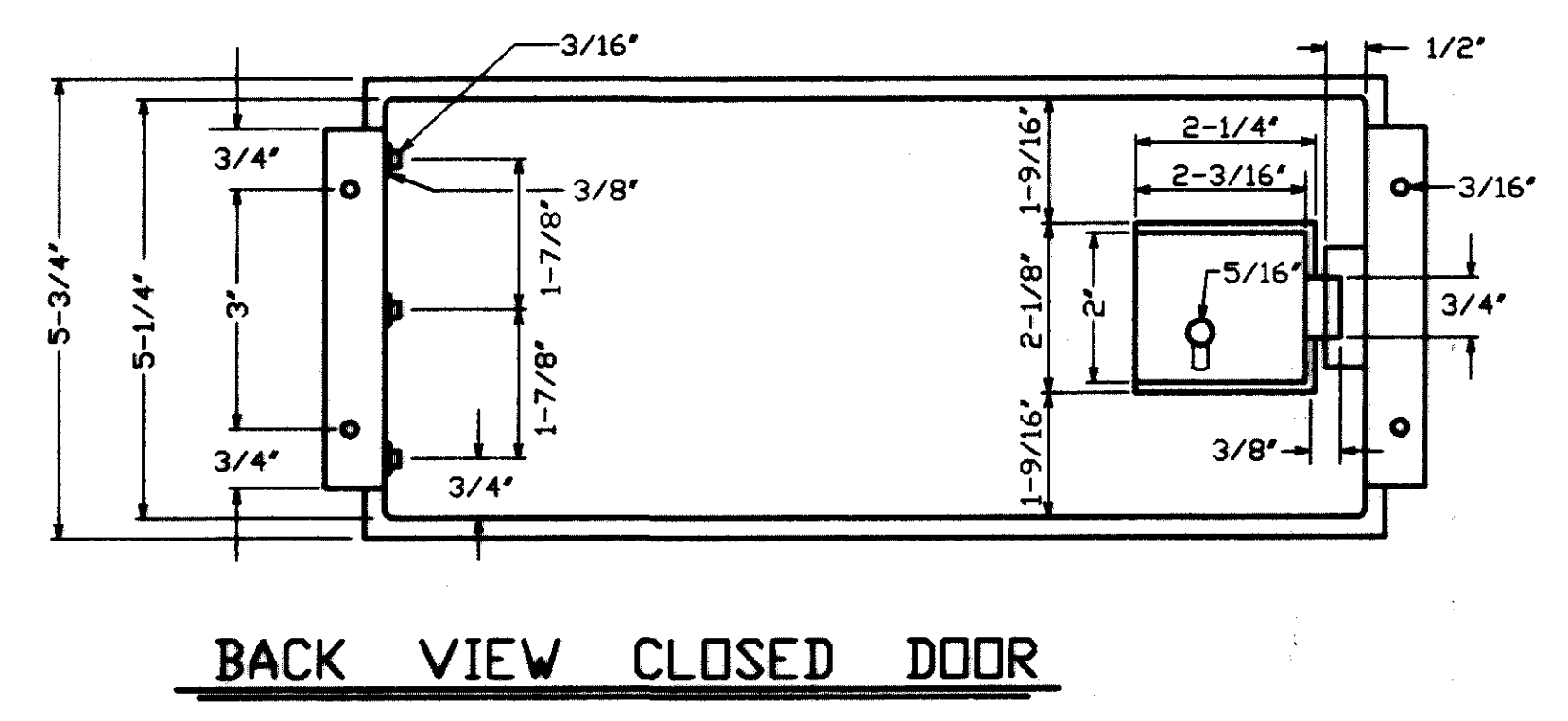
FRONT VIEW OF GENERATOR POWER PANEL



ELECTRICAL HOOKUP DETAIL FOR THE GENERATOR POWER PANEL



FRONT VIEW OPEN DOOR



BACK VIEW CLOSED DOOR

GENERATOR POWER PANEL ENCLOSURE

- NOTES:**
1. THE ENCLOSURE SHALL BE CONSTRUCTED OF 1/8" THICK ALUMINUM.
 2. THE LOCK SHALL BE THE STANDARD POLICE DOOR TYPE, KEYED WITH THE STANDARD FLASHER DOOR SKELETON KEY.
 3. THE DOOR SHALL BE SEALED WITH A FOAM RUBBER GASKET TO PREVENT MOISTURE FROM ENTERING THE ENCLOSURE.
 4. THE ENCLOSURE SHALL BE MOUNTED ONTO THE OUTSIDE OF THE CONTROLLER CABINET WITH NON-ACCESSIBLE BOLTS AND SEALED WITH A HIGH QUALITY SILICON CAULK AT ALL SURFACES TOUCHING THE CABINET.
 5. THE HINGE SHALL BE OF STAINLESS STEEL OR EQUIVALENT CORROSION-RESISTANT MATERIAL.

DATE: 02-12-99 - 08:11, CT CONSULTANTS INC. H:\CT\92535\CAD\TRAFFIC\92535GPP.DWG