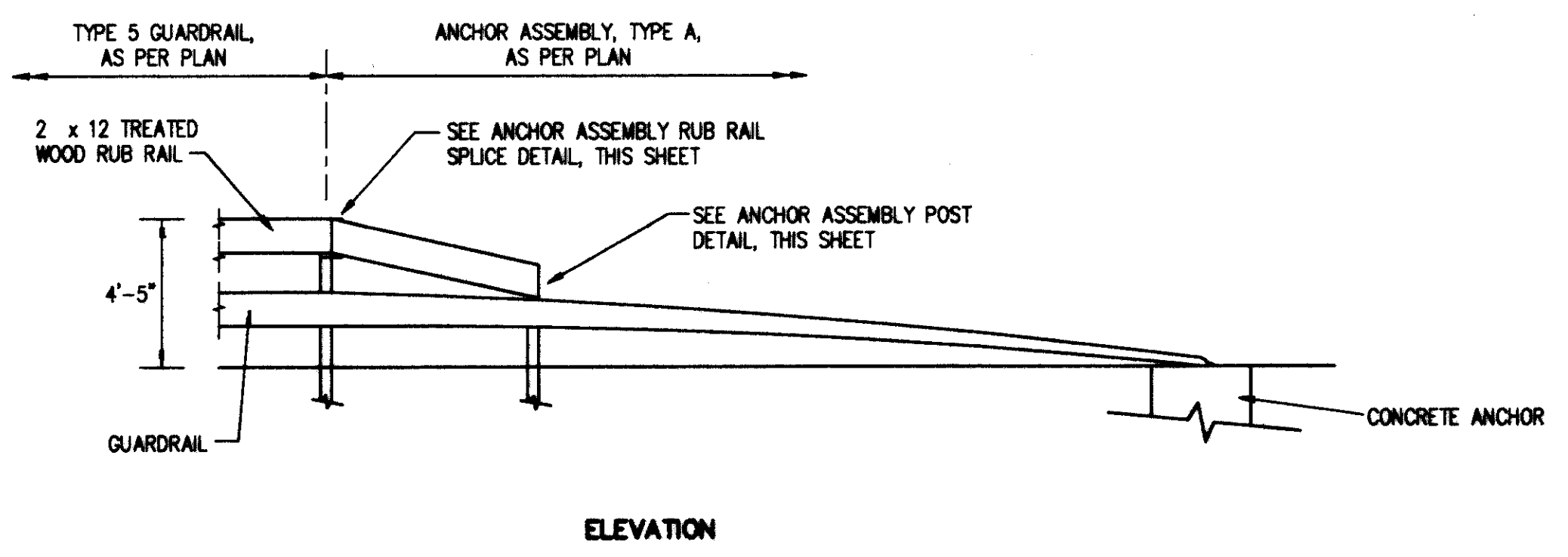
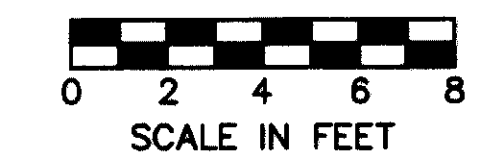
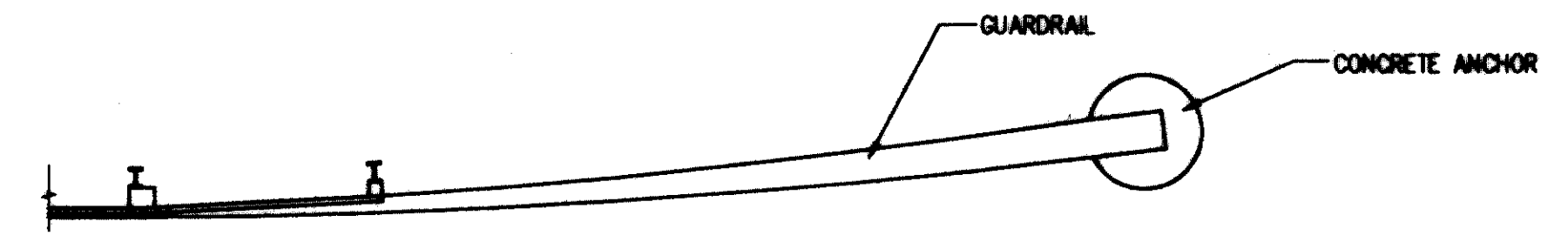


# PAVEMENT DETAILS



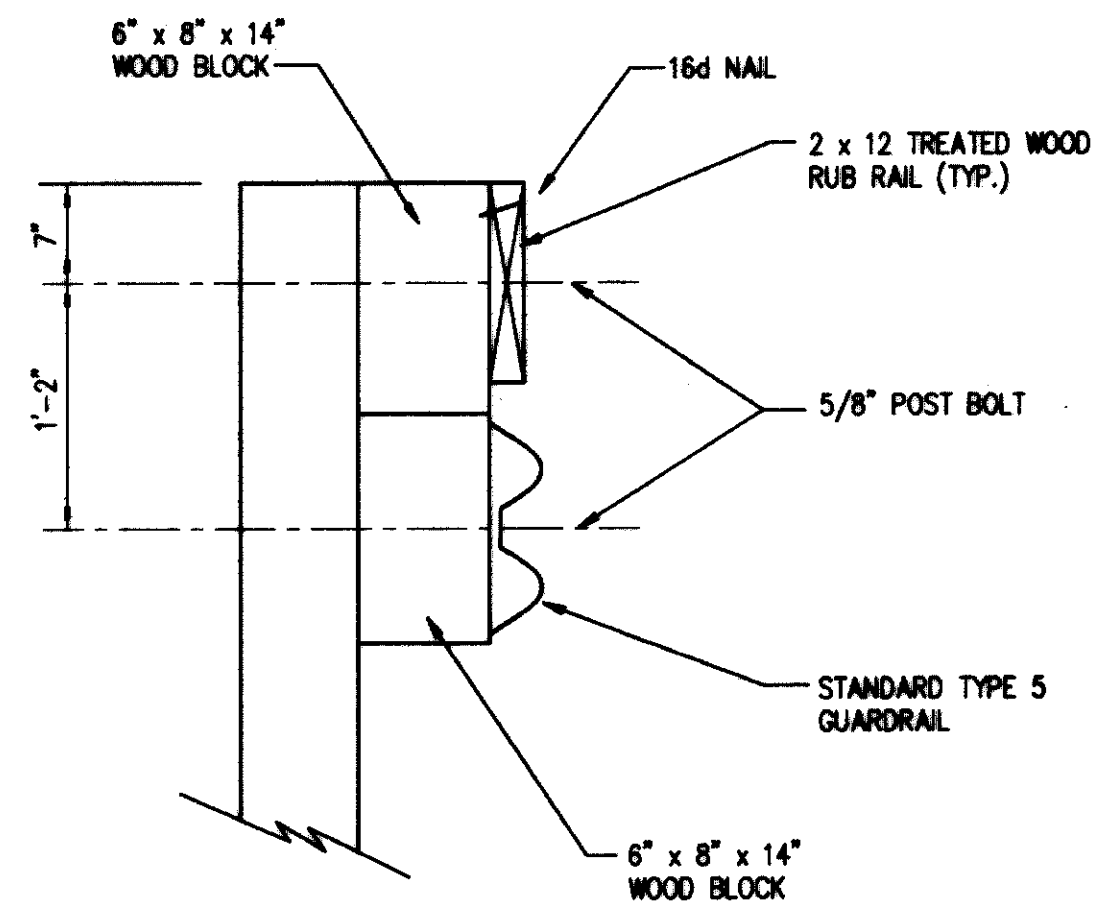
ELEVATION



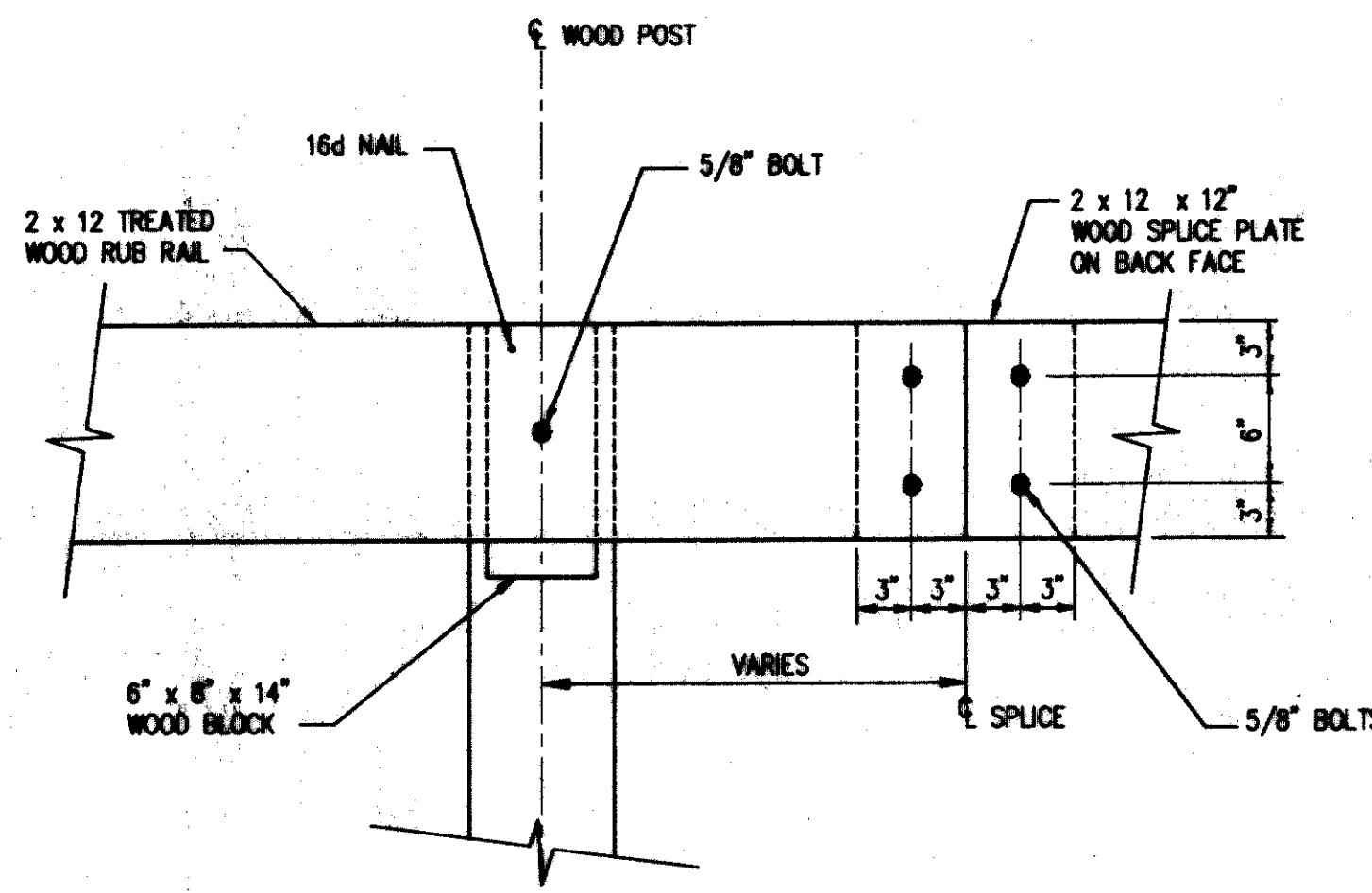
PLAN VIEW

ITEM 606 - ANCHOR ASSEMBLY, TYPE A, AS PER PLAN

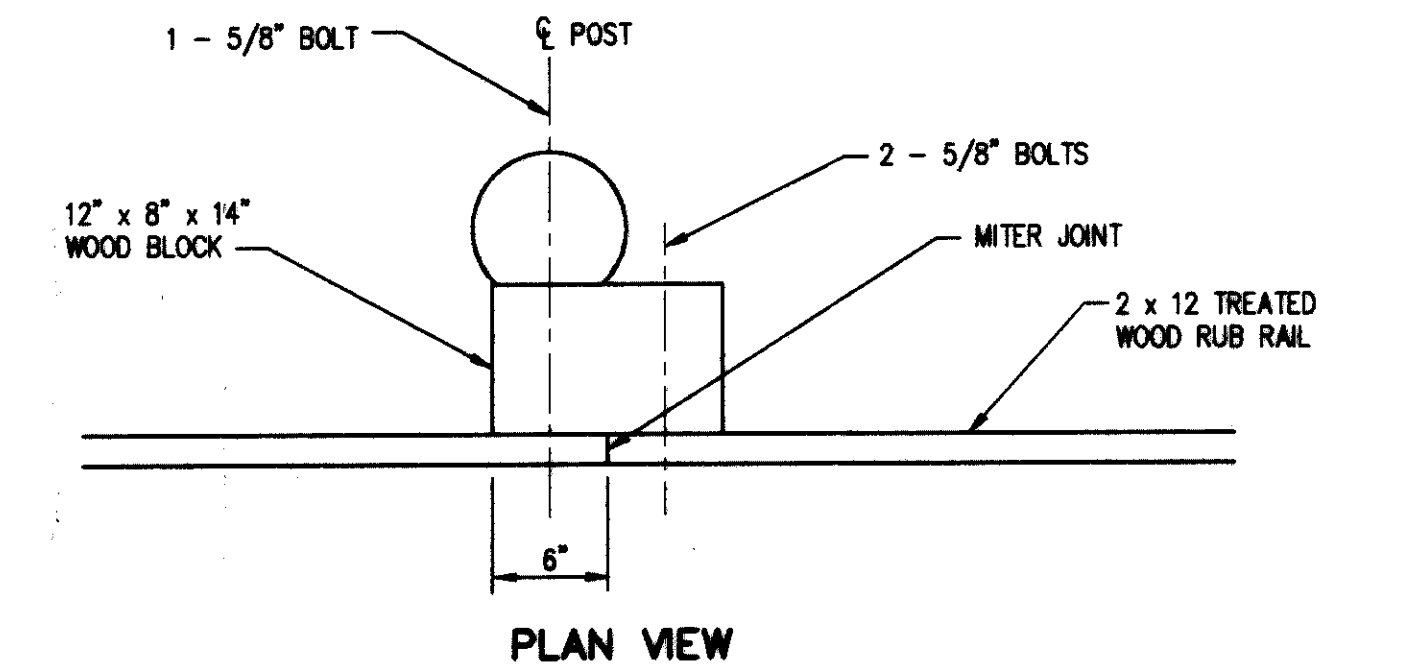
NOTE: SEE STANDARD CONSTRUCTION DRAWINGS GR-2.1, GR-3.2, GR-4.1 AND GR-4.2 FOR ADDITIONAL INFORMATION NOT SHOWN.



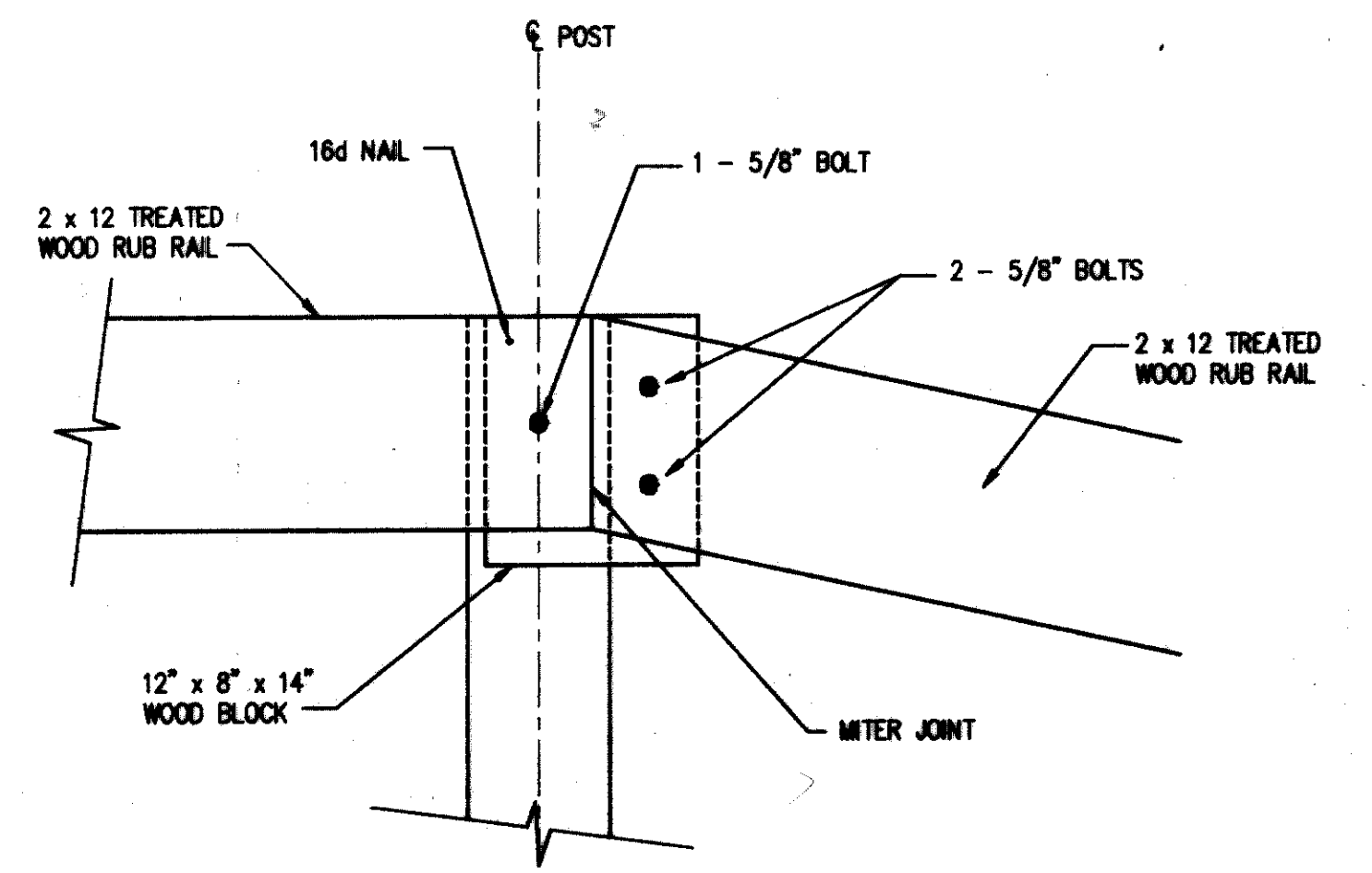
ANCHOR ASSEMBLY POST DETAIL



TYPICAL RUB RAIL SPLICE DETAIL

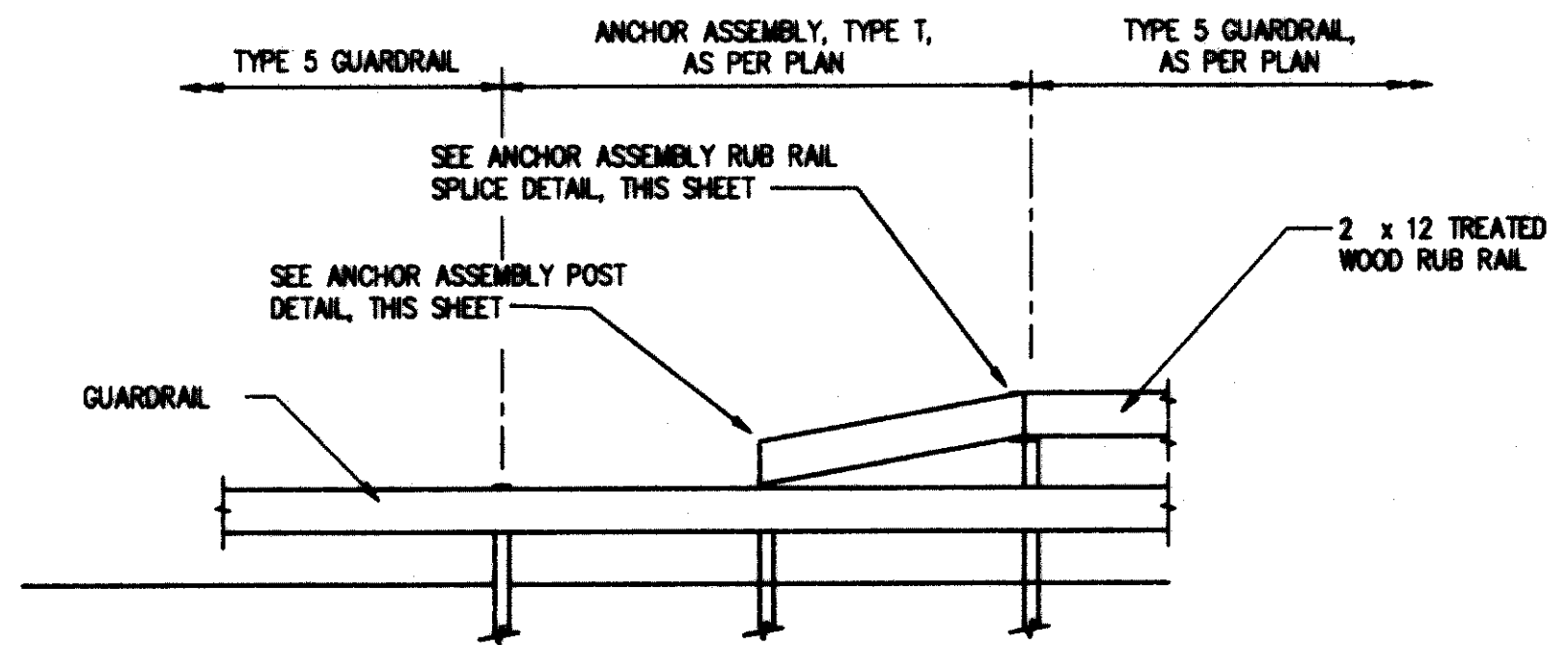


PLAN VIEW

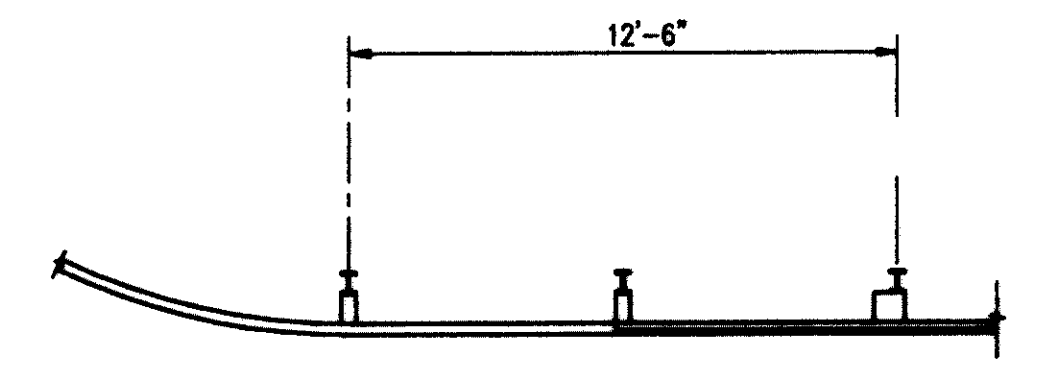


ELEVATION

ANCHOR ASSEMBLY RUB RAIL SPLICE DETAIL

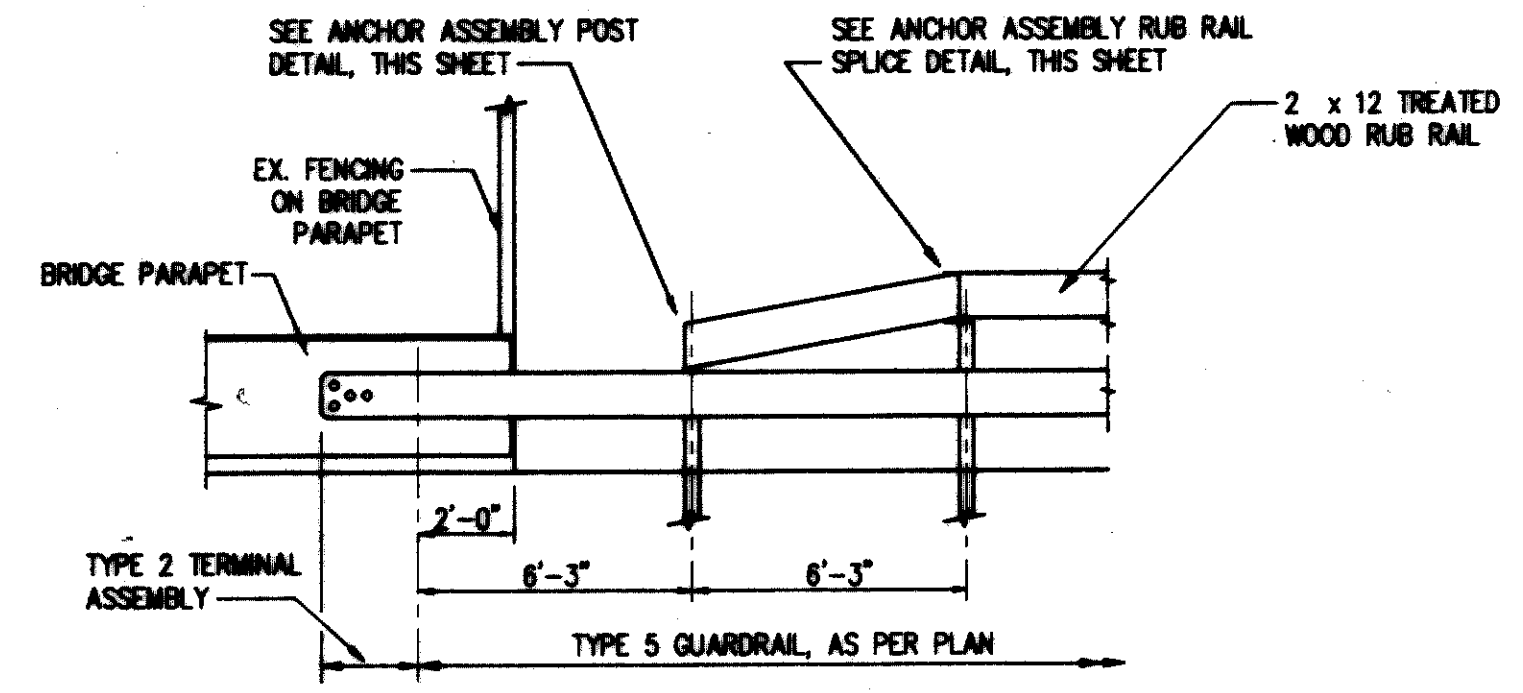


ELEVATION



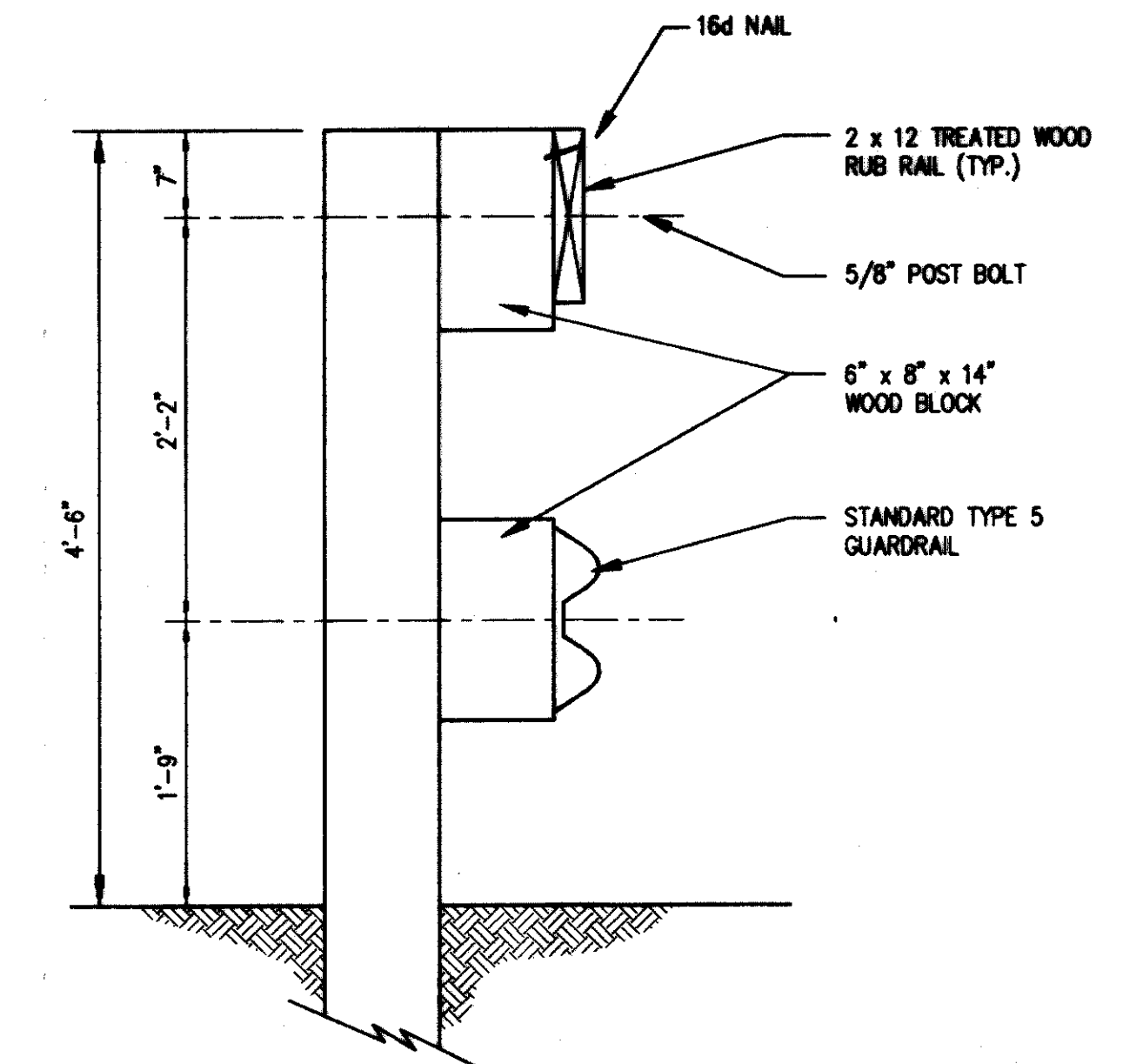
PLAN VIEW

ITEM 606 - ANCHOR ASSEMBLY, TYPE T, AS PER PLAN



ELEVATION

RUB RAIL TREATMENT AT TERMINAL ASSEMBLY, TYPE 2



ITEM 606 - GUARDRAIL TYPE 5, AS PER PLAN  
TYPICAL POST & RUB RAIL DETAIL

H:\CT\92535\CAD\MISCDET1.DWG 1"=20'