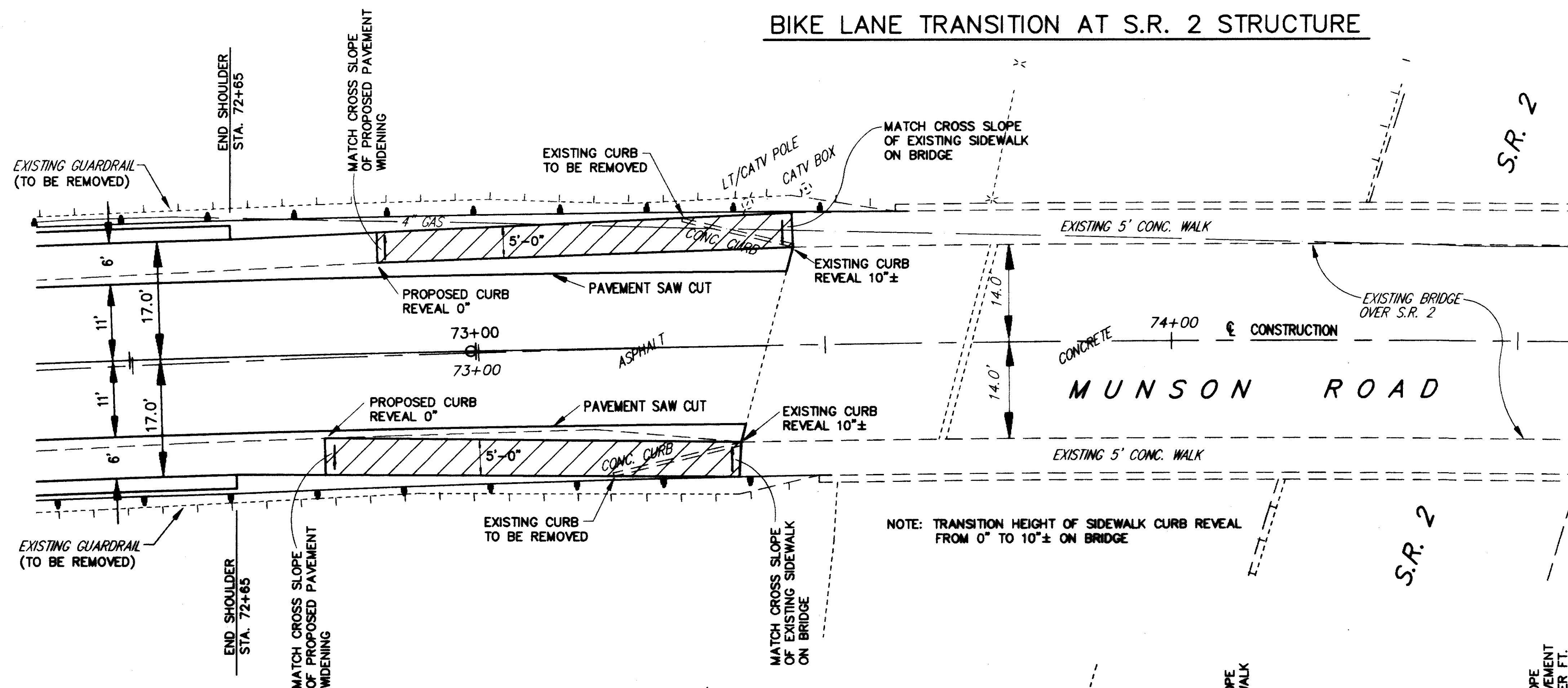
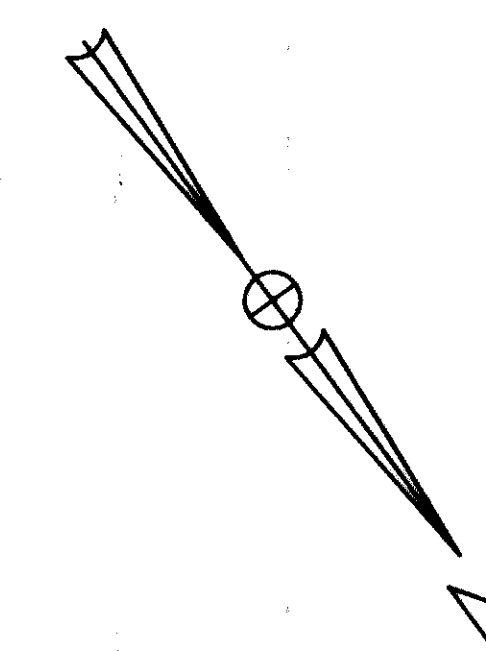
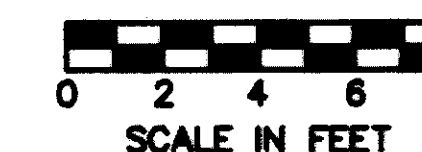
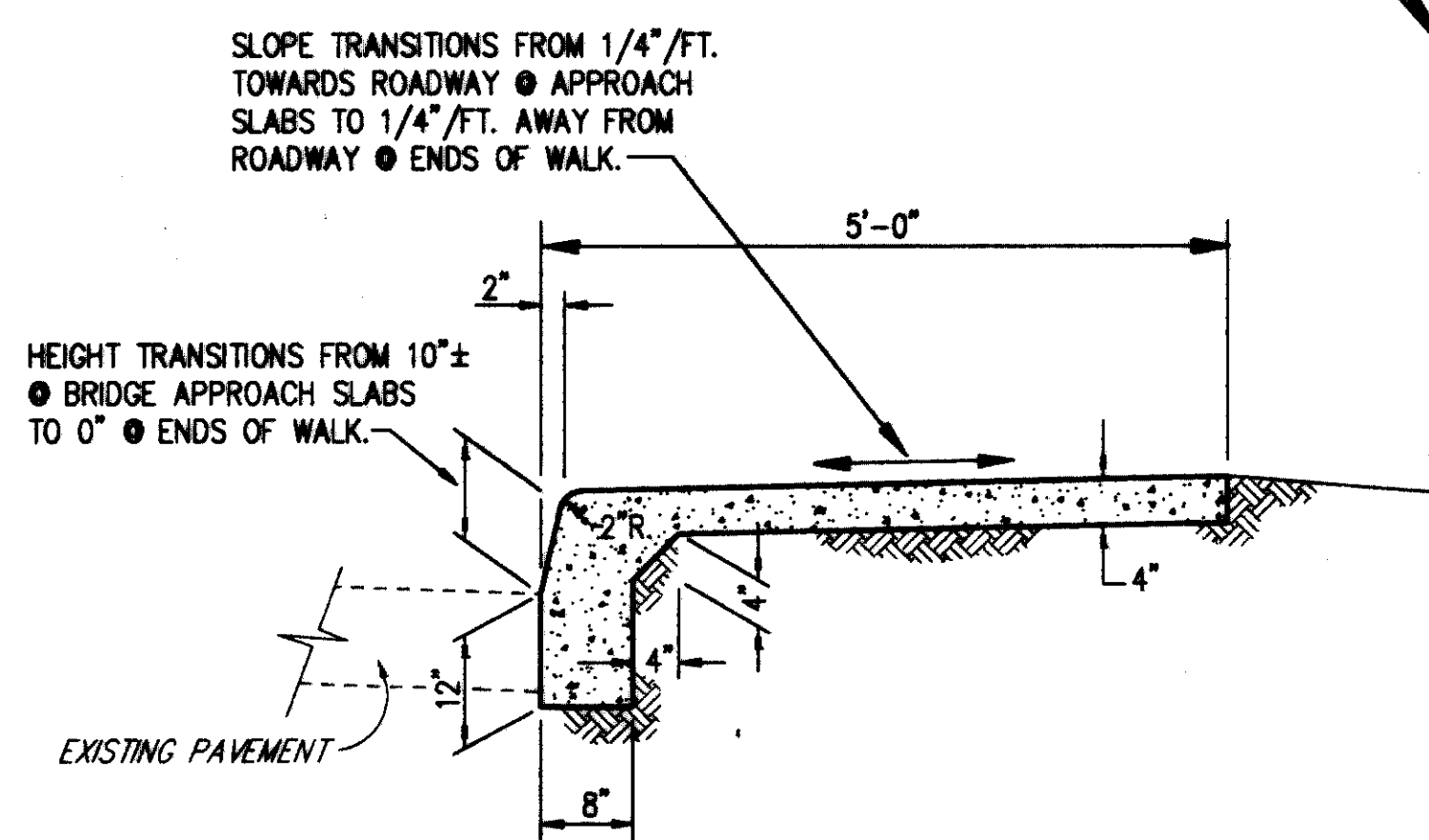


ROADWAY DETAILS

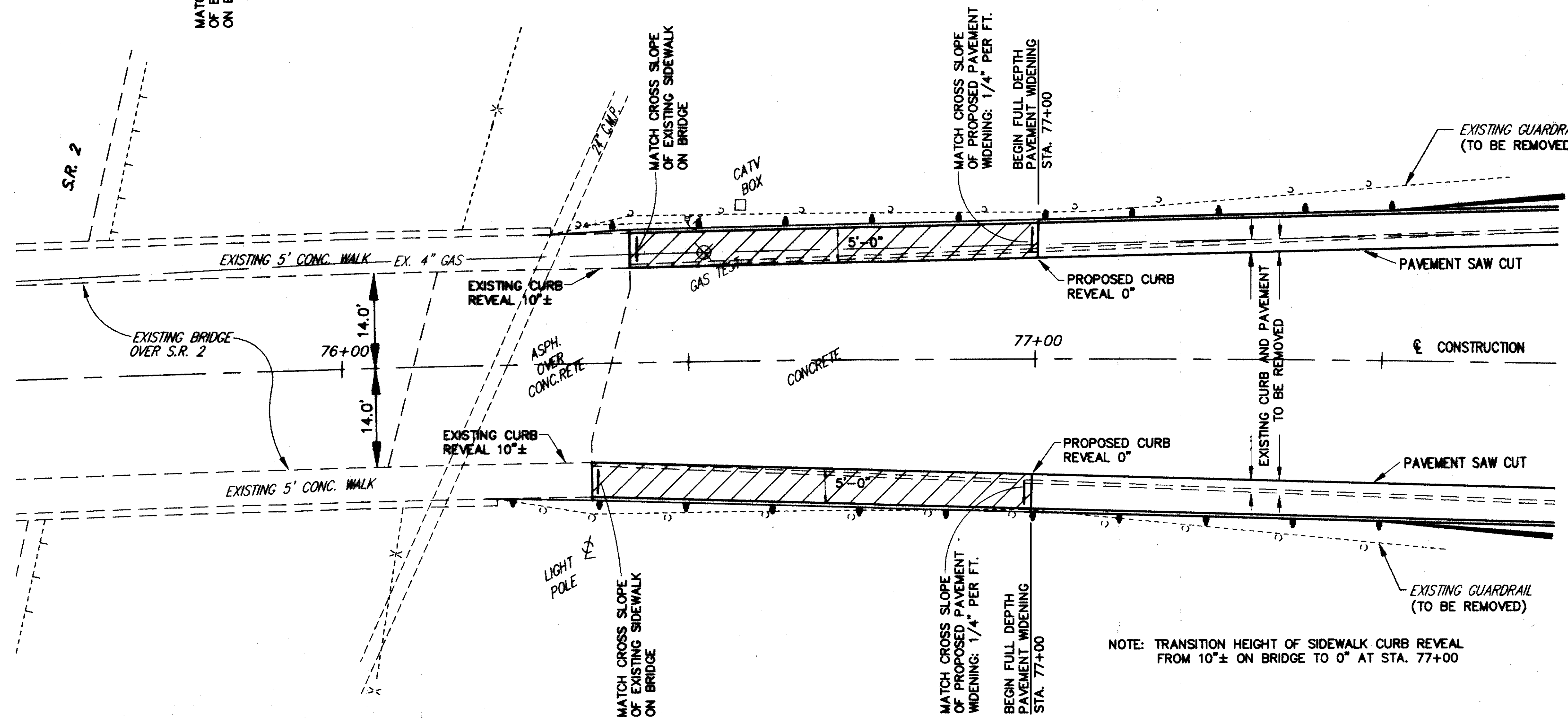
BIKE LANE TRANSITION AT S.R. 2 STRUCTURE



CONCRETE WALK, AS PER PLAN (SEE DETAIL, THIS SHEET)



ITEM 608 - CONCRETE WALK, AS PER PLAN



NOTE: TRANSITION HEIGHT OF SIDEWALK CURB REVEAL FROM 10"± ON BRIDGE TO 0" AT STA. 77+00