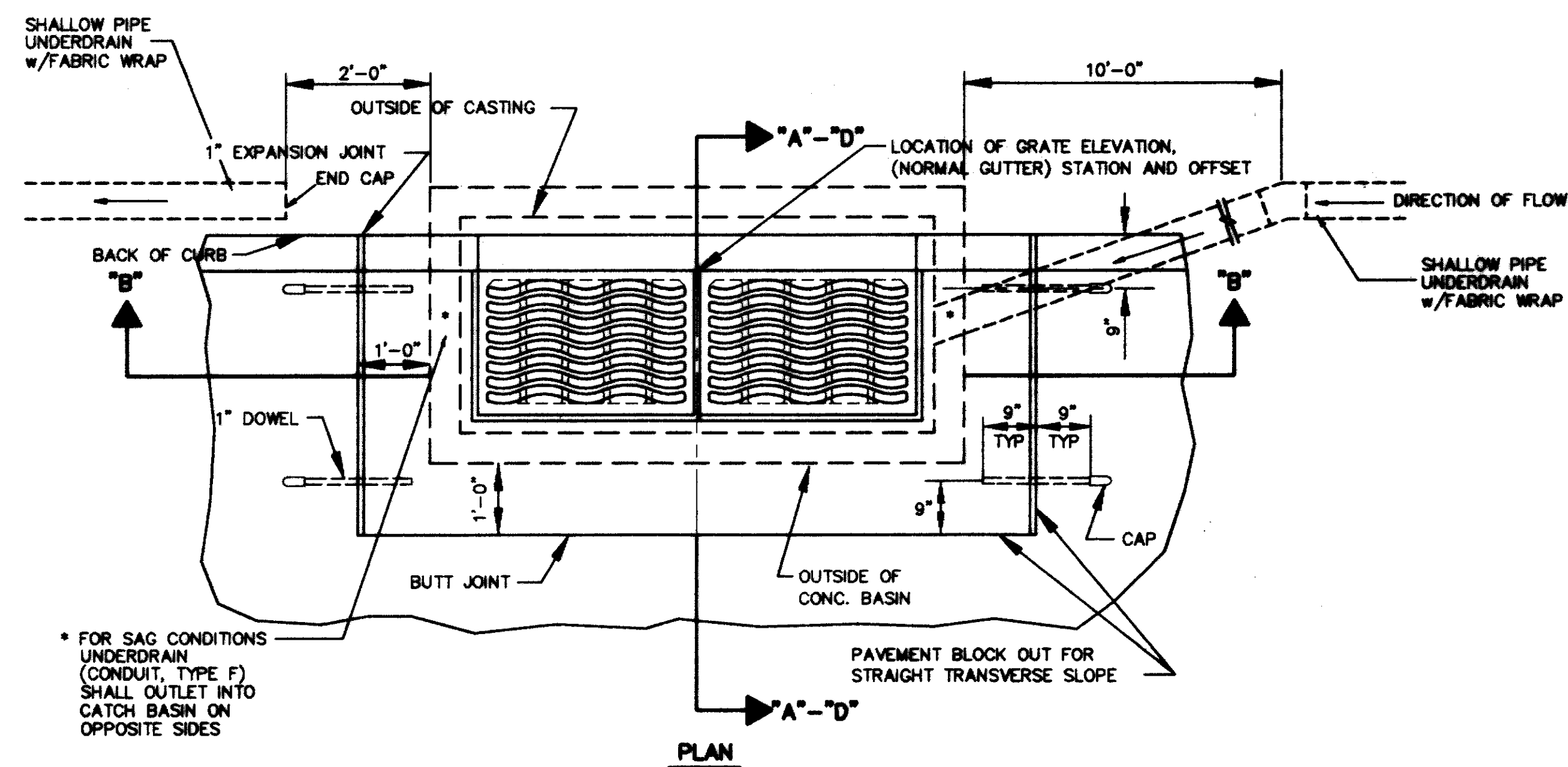
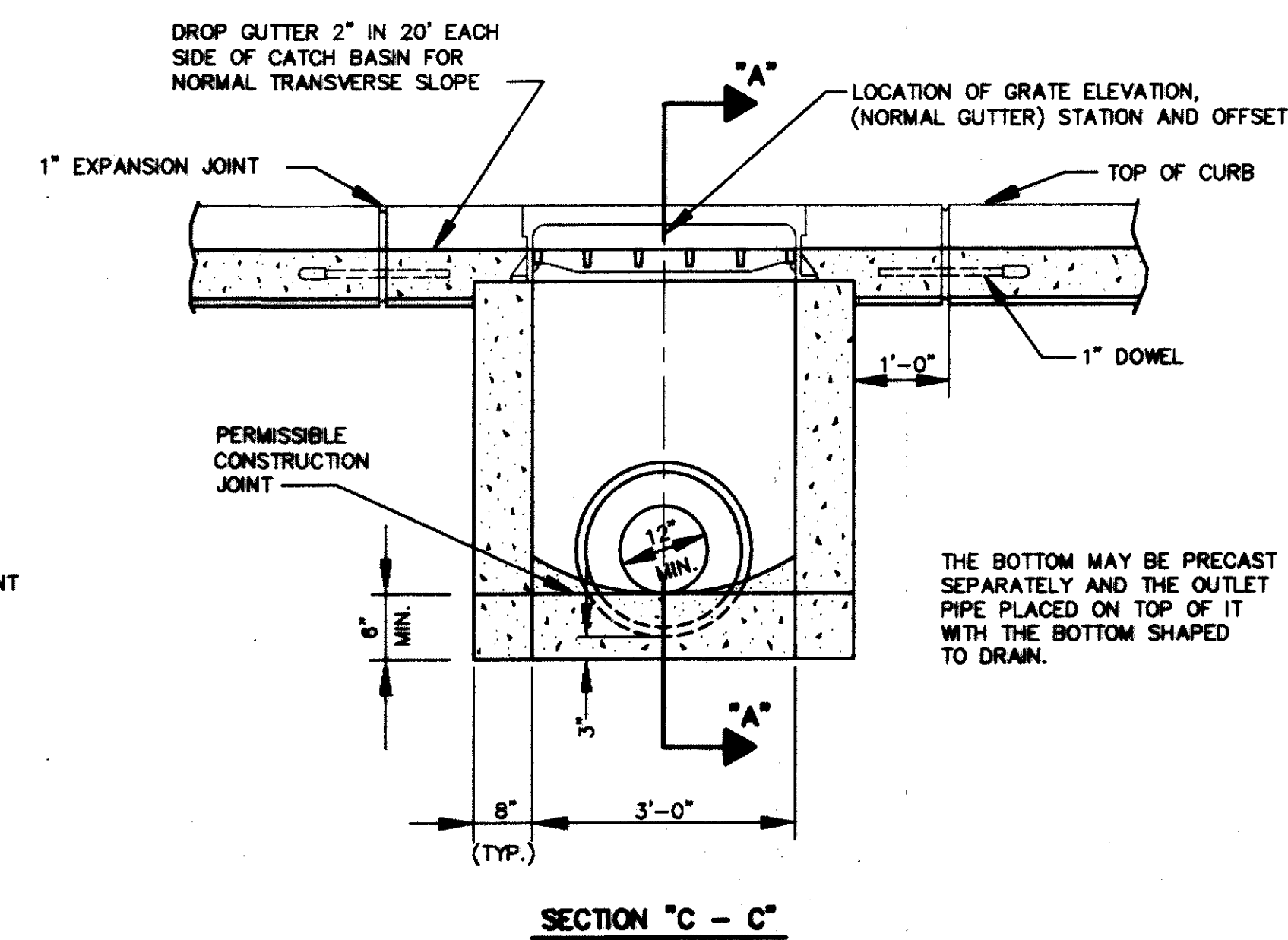
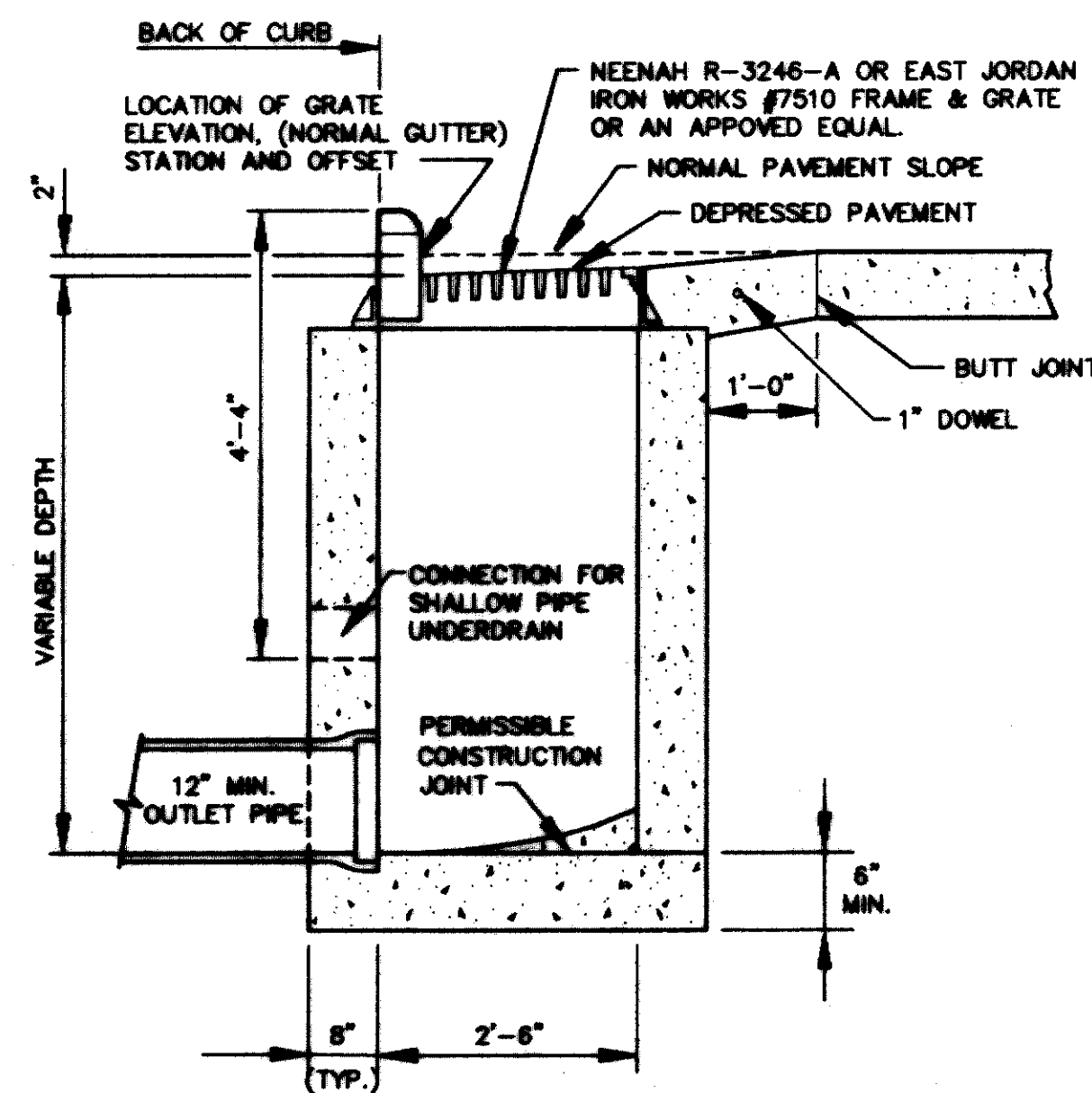
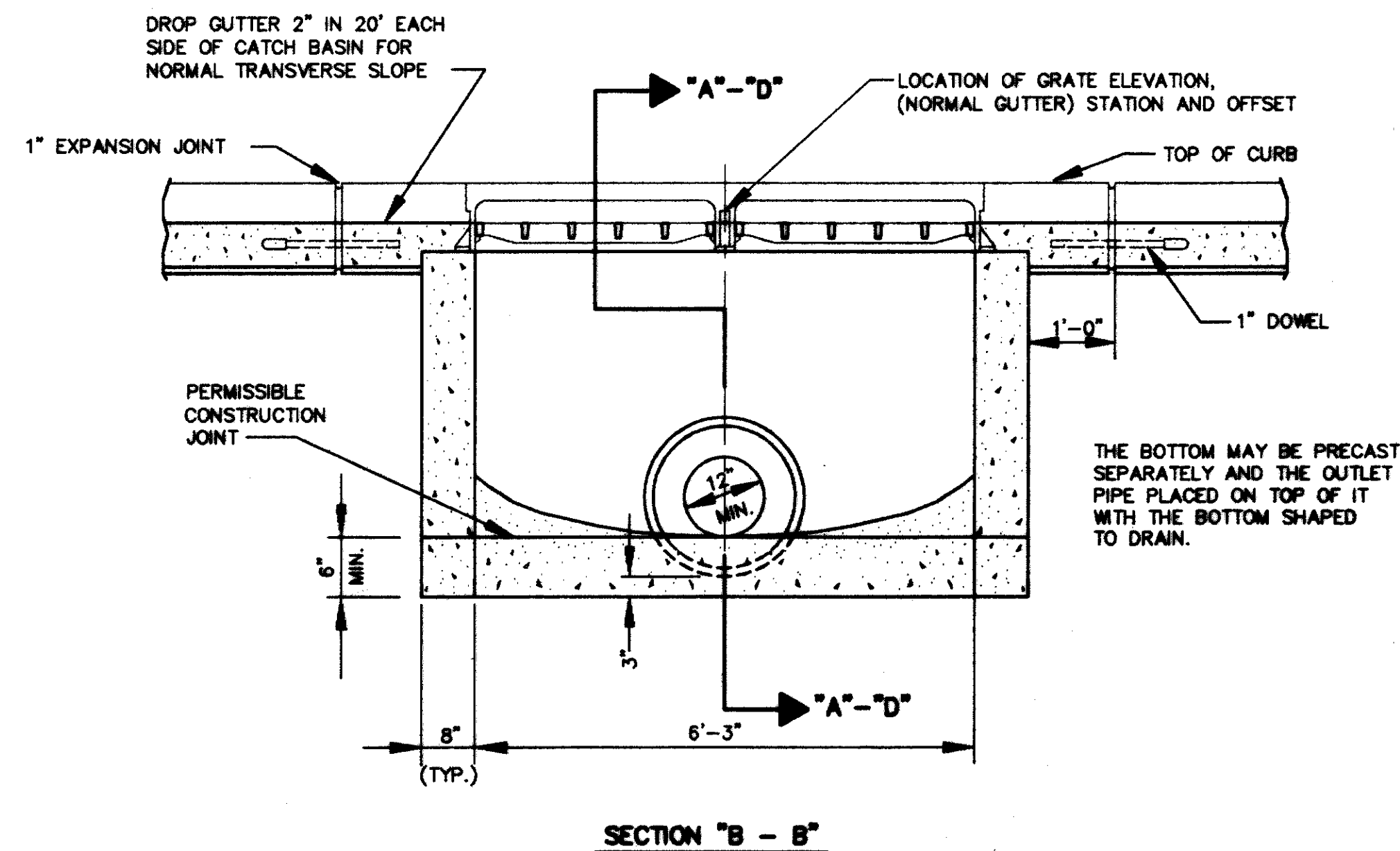
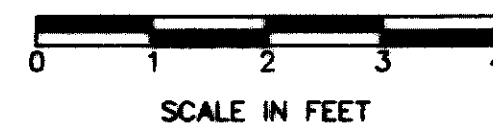
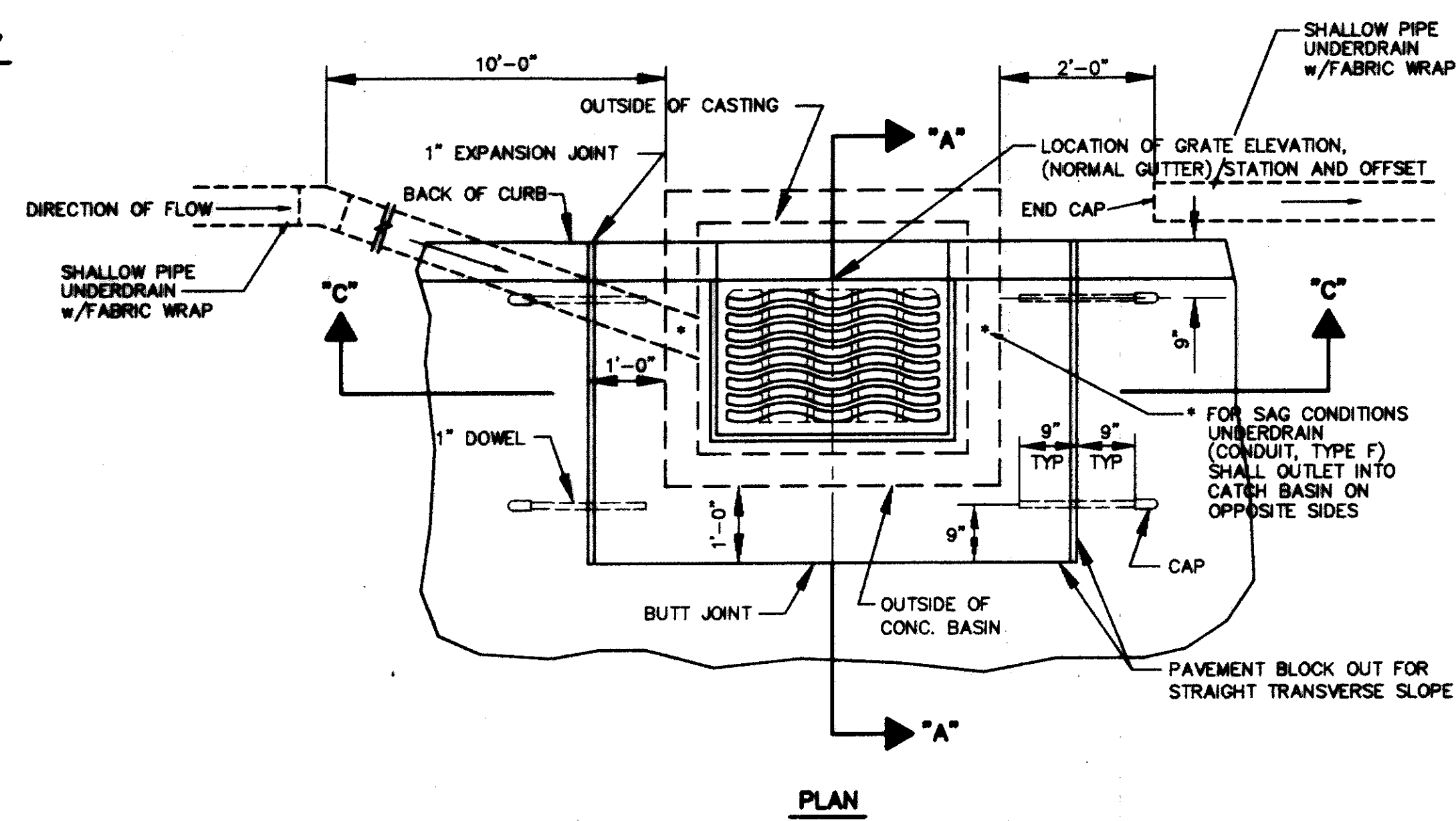


DRAINAGE DETAILS



CATCH BASIN, NO. 3, AS PER PLAN



CATCH BASIN, NO. 3A, AS PER PLAN

COPYRIGHT - DATE: 04-22-88 06:05, CT CONSULTANTS INC. H:\CT\0235\35\NET\1.DWG Scale: 3/4" = 1'