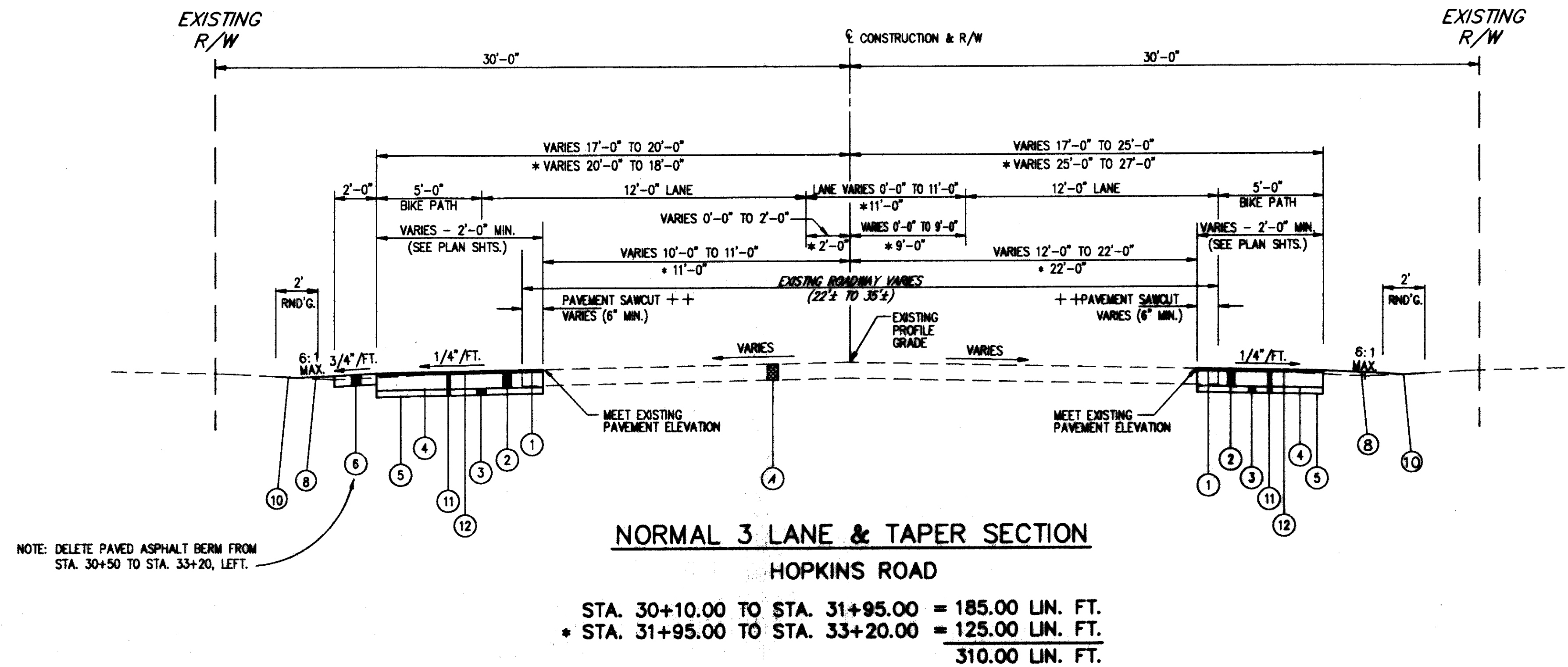
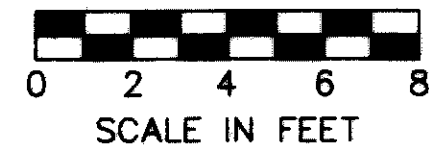
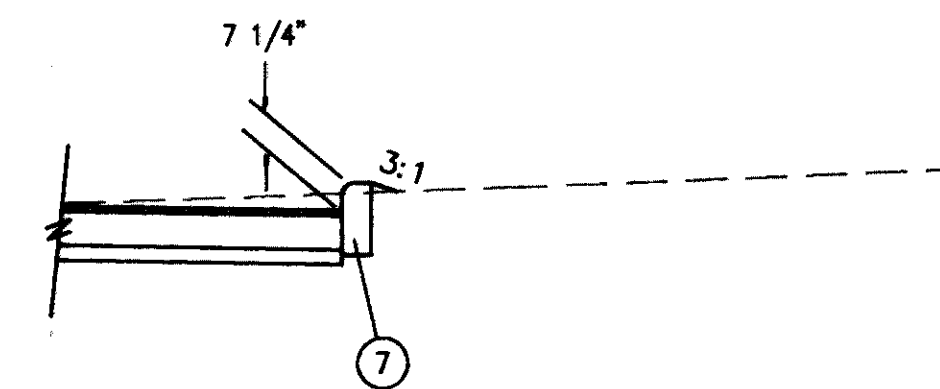


TYPICAL SECTIONS



NOTE: DELETE PAVED ASPHALT BERM FROM STA. 30+50 TO STA. 33+20, LEFT.



CONCRETE CURB DETAIL
 STA. 33+84.6, 25.2'LT. TO STA. 36+10.00, 24'RT.

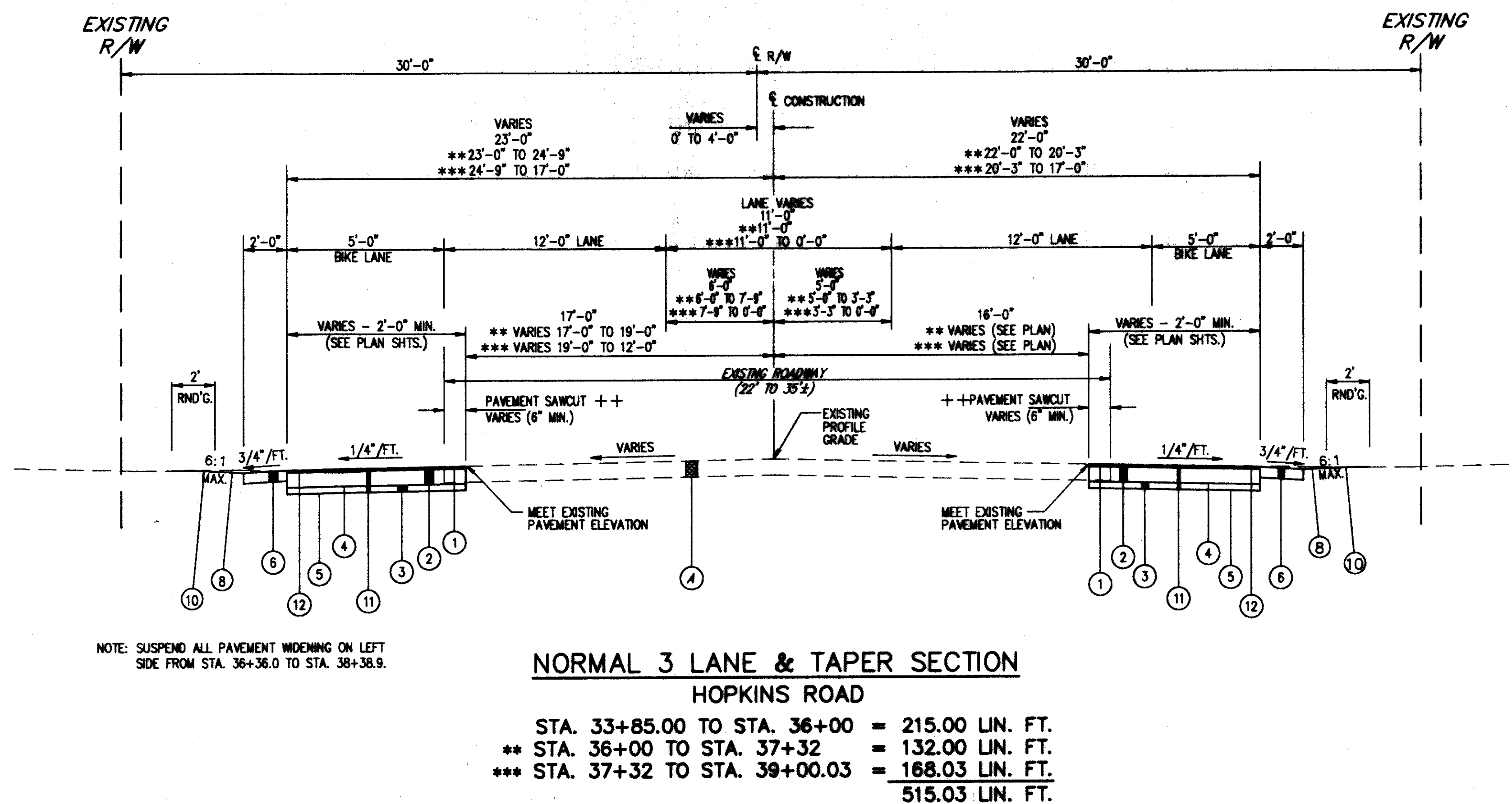
LEGEND

- ① ITEM 448 - 1/4" ASPHALT CONCRETE, SURFACE COURSE TYPE 1, PG 64-22
- ② ITEM 301 - 8 3/4" BITUMINOUS AGGREGATE BASE, PG 64-22
- ③ ITEM 304 - 6" AGGREGATE BASE, AS PER PLAN
- ④ ITEM 408 - PRIME COAT
- ⑤ ITEM 203 - SUBGRADE COMPACTION (FOR AREAS 6' OR GREATER IN WIDTH)
- ⑥ ITEM 301 - 6" BITUMINOUS AGGREGATE BASE, PG 64-22
- ⑦ ITEM 830 - CURB, TYPE 6, AS PER PLAN
- ⑧ ITEM 660 - SODDING, UNSTAKED
- ⑨ ITEM 608 - 4" CONCRETE WALK (SEE PLAN FOR LIMITS)
- ⑩ ITEM 203 - LINEAR GRADING, AS PER PLAN
- ⑪ ITEM 203 - EXCAVATION NOT INCLUDING EMBANKMENT CONSTRUCTION
- ⑫ ITEM 407 - TACK COAT

EXISTING LEGEND

- (A) EXISTING BITUMINOUS PAVEMENT (THICKNESS VARIES)
- (B) EXISTING CONCRETE WALK (WALK NOT PRESENT AT ALL LOCATIONS)

++ = FULL DEPTH PAVEMENT SAW CUTTING INCLUDED UNDER ITEM 203 - EXCAVATION



NOTE: SUSPEND ALL PAVEMENT WIDENING ON LEFT SIDE FROM STA. 36+36.0 TO STA. 38+38.9.

NOTE: TYPICAL SECTIONS INDICATE GENERAL SLOPE CONDITIONS. SEE CROSS-SECTIONS FOR ACTUAL SLOPE REQUIREMENTS.