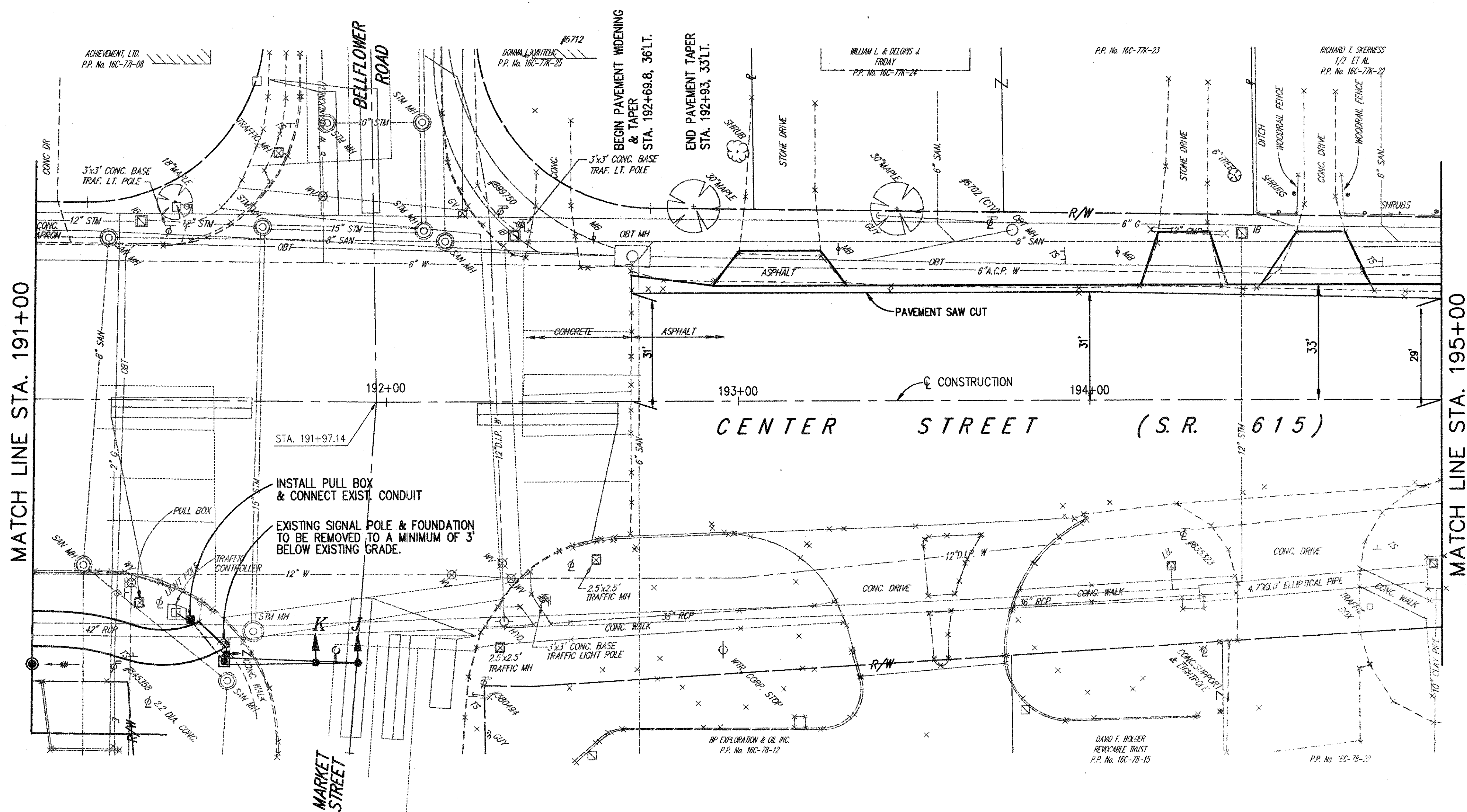
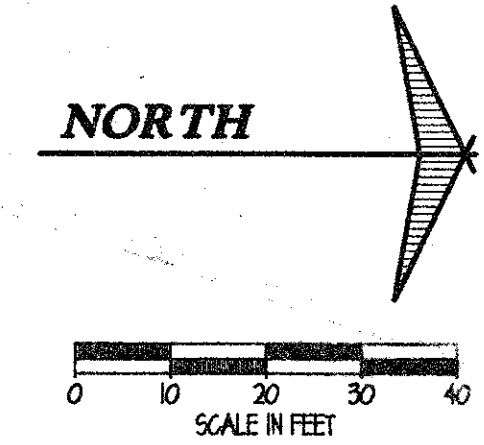
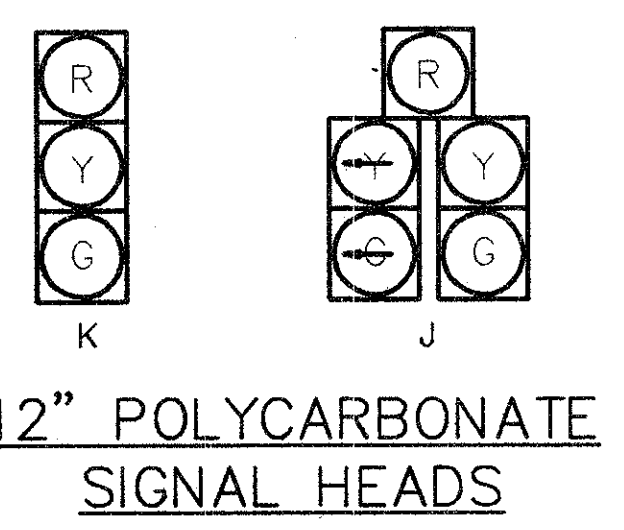


BENCH MARK:
TOP SE CORNER OF FRONT
STEPS HOUSE #6702
STA. 193+41± LT.
ELEV. 634.30



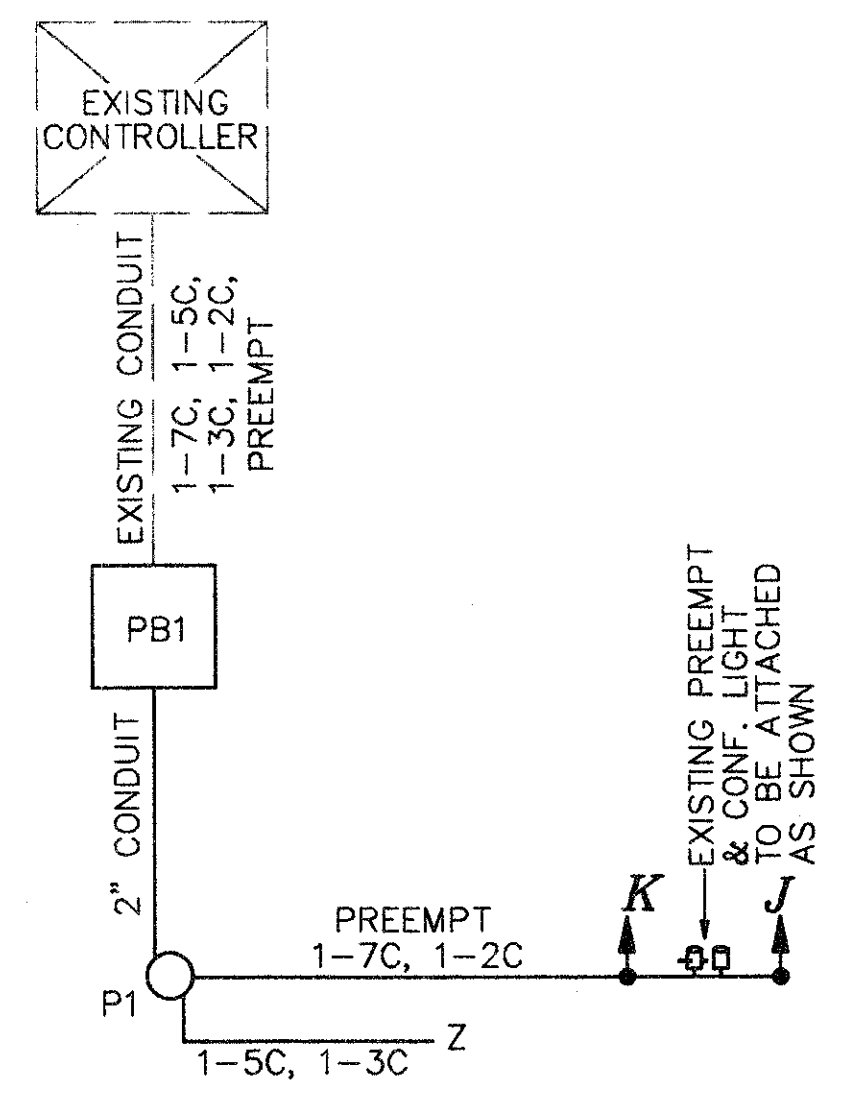
MATCH LINE STA. 191+00

MATCH LINE STA. 195+00



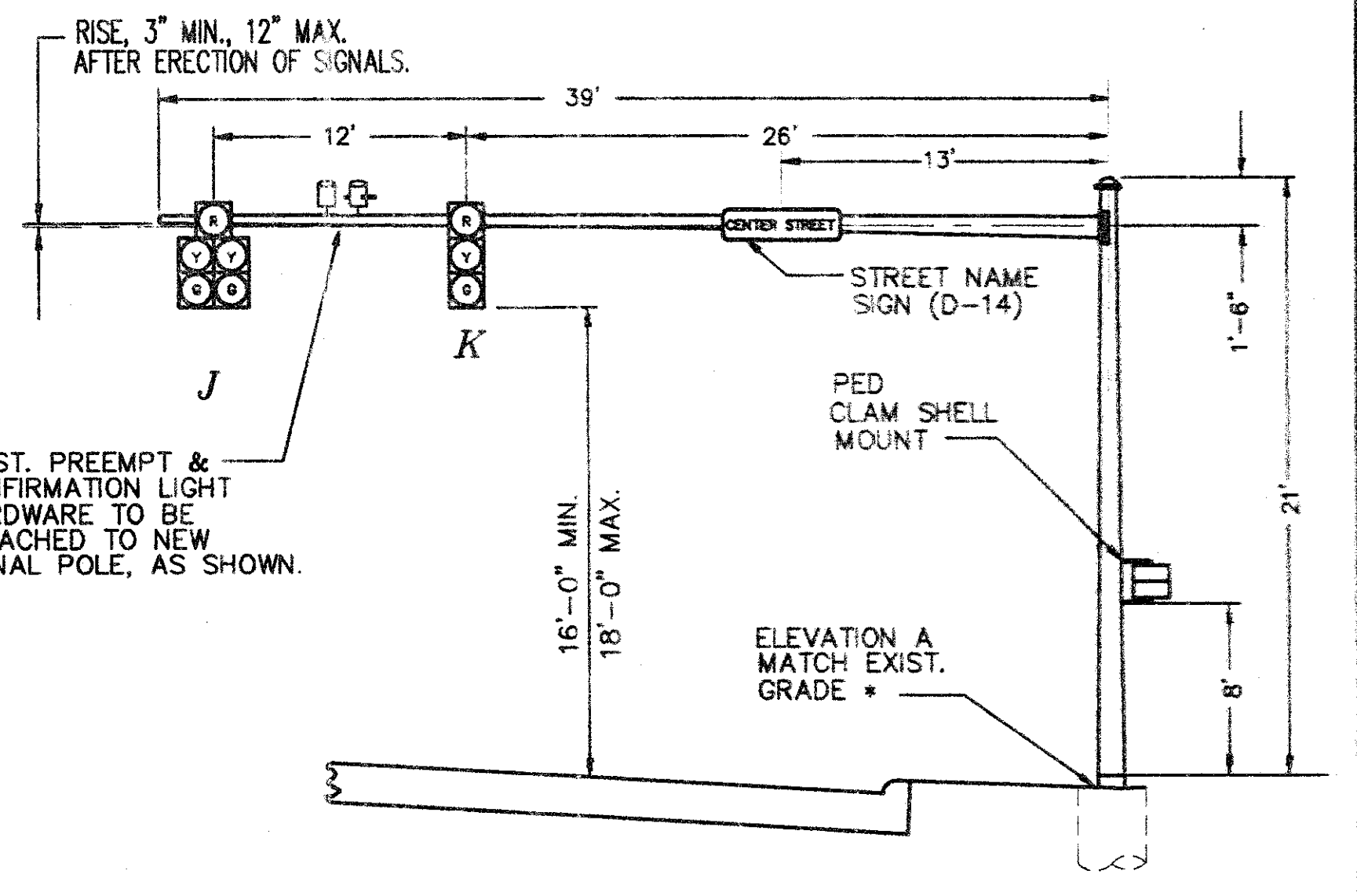
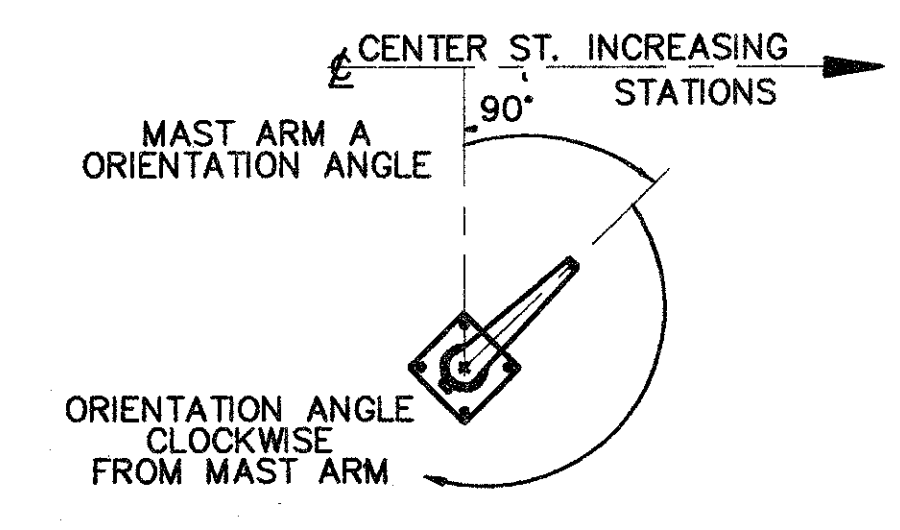
EXIST. CONTROLLER: STA. 191+41, 60' RT
PBI: STA. 191+45, 62' RT (17' X 30')

P1: STA. 191+55, 74' RT
SIGNAL SUPPORT, TYPE TC-81.20,
DESIGN NO. 11, 39' ARM
W/PED. SIGNAL HEAD AND PUSHBUTTONS



WIRING DIAGRAM
NO SCALE

P1	POLE No.
11	DESIGN No.
21'	POLE HT.
199+55	STATION
74' RT	OFFSET
39'	L (FT)
38'	L1 (FT)
26'	L2 (FT)
*	ELEVATION - A
90°	MAST ARM A ORIENTATION ANGLE (DEGS)
270°	PEDESTRIAN SIGNAL (1" BLIND COUPLING, 8" FROM BOTTOM OF POLE)
270°	Z PEDESTRIAN PUSHBUTTON
-	3'-6" FROM BOTTOM OF POLE
90°	HANDHOLE



P1 SIGNAL SUPPORT DETAIL

STA. 199+55, 74' RT
TC-81.20 DESIGN No.11

SUBMISSIONS / REVISIONS

CENTER STREET (STATE ROUTE 615)
ROADWAY IMPROVEMENTS
CENTER STREET &
MARKET STREET
SIGNAL MODIFICATION

CT Consultants, Inc.
Engineers • Architects • Planners
Wilmington • Mentor • Columbus • North Canton • Youngstown

DATE:	AUGUST 03, 1996
DRAWN BY:	T.E.P.
CHECKED BY:	A.E.P.
APPROVED BY:	I.M.H.
SCALE:	HOR. 1" = 20' VERT. 1" = 5'
CONTRACT NO.:	98387
SHEET NO.:	OF
92	103

COPYRIGHT - DATE: 08-02-96, CT CONSULTANTS INC. H:\1996\SR615\TRAFFIC\SR615TRD2.DWG PLOT11-20