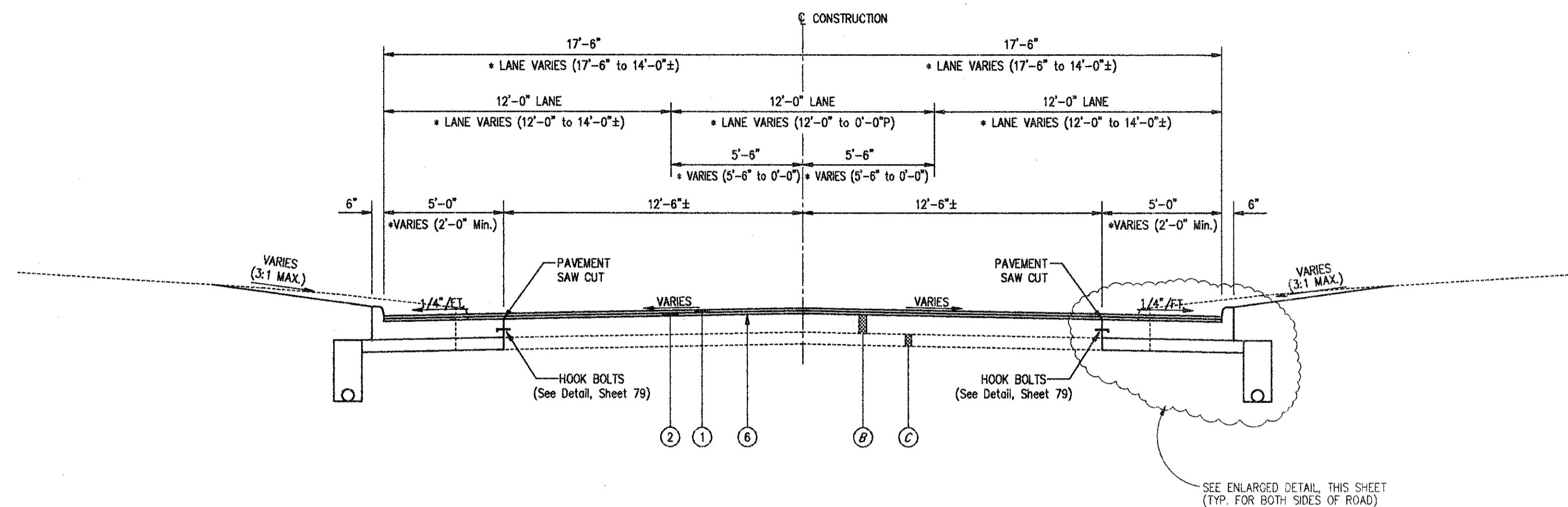
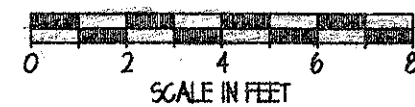


NOTE: TYPICAL SECTIONS ARE INTENDED TO SHOW GENERAL ROADWAY AND PAVEMENT FEATURES ONLY. FOR FURTHER DETAILS SEE PLAN AND PROFILES, PAVEMENT DETAILS AND CROSS-SECTIONS.

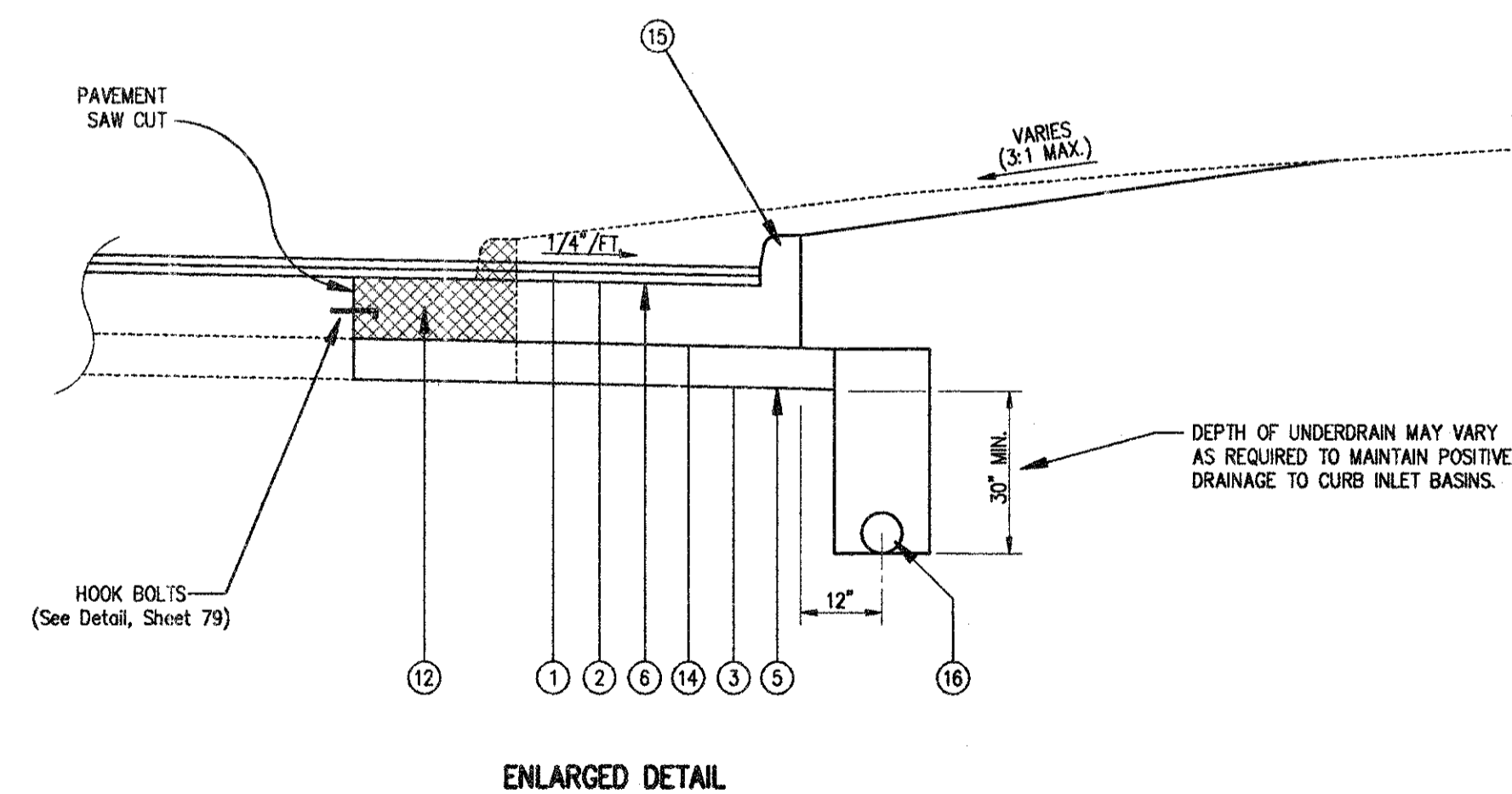


**RELOCATED MUNSON ROAD
TYPICAL SECTION**

STA. 10+75.94 TO STA. 11+73.78 = 97.84 L.F.
 * STA. 11+73.78 TO STA. 12+66.76 = 92.98 L.F.
 190.82 L.F.

LEGEND

- ① ITEM 404 - 1-1/4" ASPHALT CONCRETE
 - ② ITEM 402 - 1-3/4" ASPHALT CONCRETE
 - ③ ITEM 301 - 6" BITUMINOUS AGGREGATE BASE
 - ④ ITEM 304 - 6" AGGREGATE BASE
 - ⑤ ITEM 203 - SUBGRADE COMPACTION
 - ⑥ ITEM 407 - TACK COAT (@ 0.10 Gals./S.Y.)
 - ⑦ ITEM 203 - EXCAVATION, NOT INCLUDING EMBANKMENT CONSTRUCTION
 - ⑧ ITEM 203 - EMBANKMENT
 - ⑨ ITEM SPEC - RESTORATION (SEEDING & MULCHING)
 - ⑩ ITEM 608 - 4" CONCRETE WALK
 - ⑪ ITEM 609 - CONCRETE CURB, TYPE 6
 - ⑫ ITEM 202 - PAVEMENT REMOVED
 - ⑬ ITEM SPEC - BIKEPATH INSTALLATION, TYPE A
 - ⑭ ITEM 305 - 9" CONCRETE BASE (M.S. PER 499.032)
 - ⑮ ITEM 609 - CONCRETE CURB, TYPE 2-B
 - ⑯ ITEM 605 - 6" UNDERDRAIN
-
- A EXISTING ASPHALT PAVEMENT (6"± AVG. THICKNESS)
 - B EXISTING 9" ITEM 451 - REINFORCED CONCRETE PAVEMENT
 - C EXISTING 6" SUBBASE
 - D EXISTING ASPHALT BIKEPATH



ENLARGED DETAIL

**CENTER STREET (STATE ROUTE 615)
ROADWAY IMPROVEMENTS
TYPICAL SECTIONS**

CT Consultants, Inc.
 Engineers • Architects • Planners
 Willoughby • Mentor • Columbus • North Canton • Youngstown

DATE: MAY, 1999

DRAWN BY: J.J.C.

CHECKED BY: C.C.H.

APPROVED BY:

SCALE:
 HOR: 1/4" = 1'-0"
 VERT: 1/4" = 1'-0"

CONTRACT NO.

98387

SHEET NO. OF

11 **103**