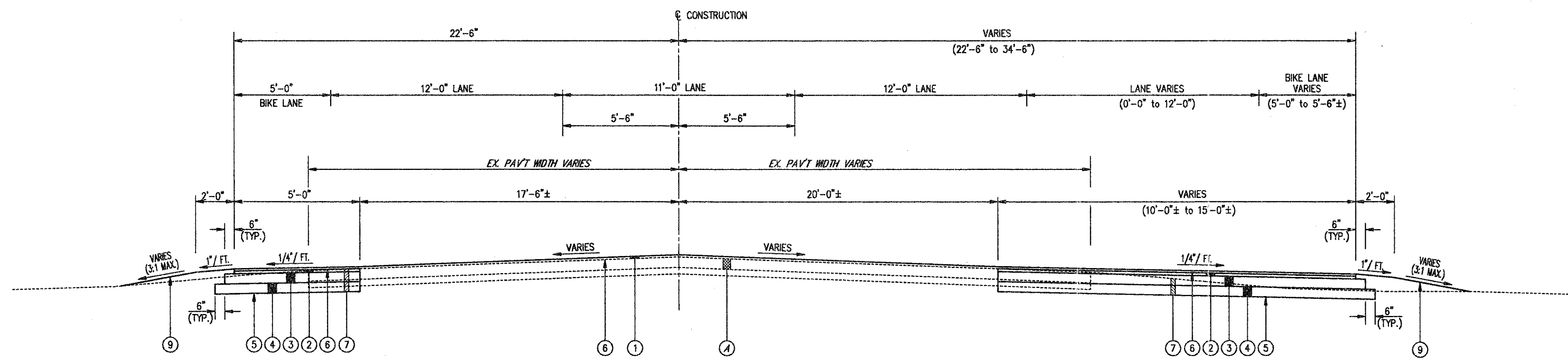
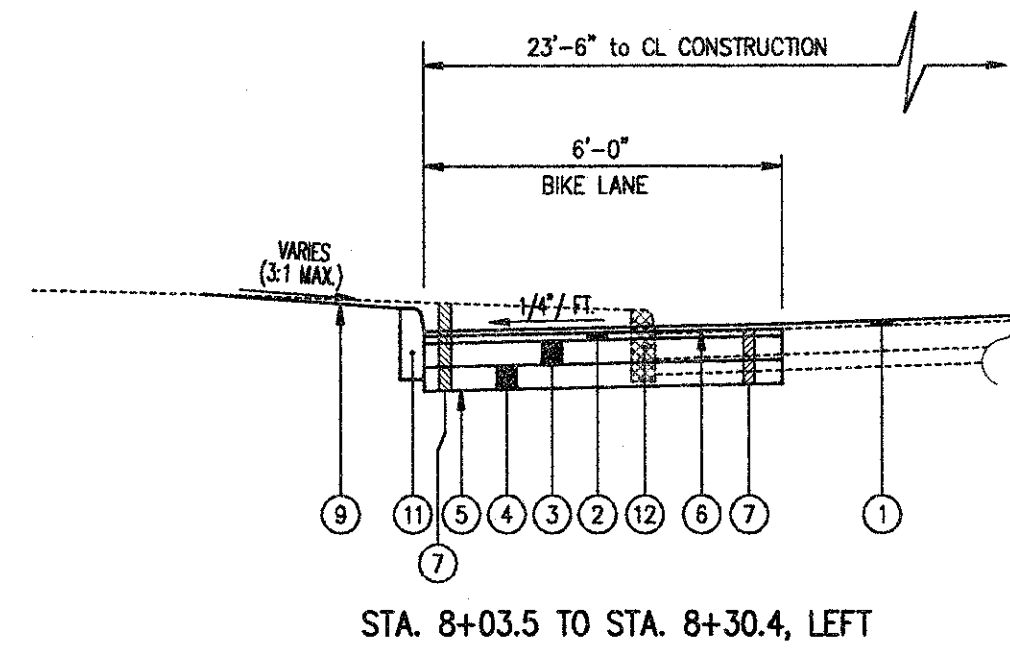
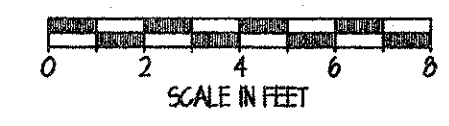
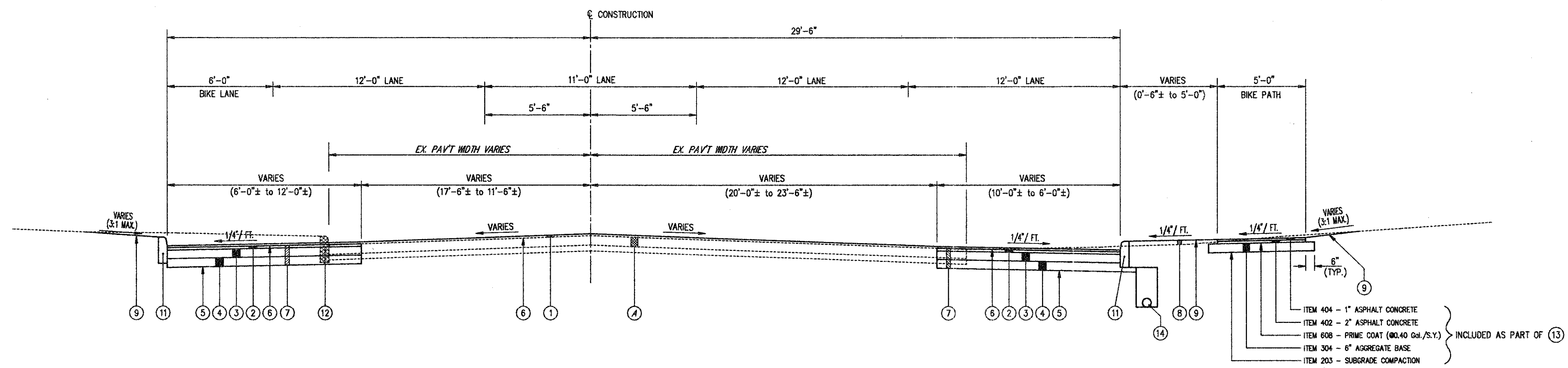
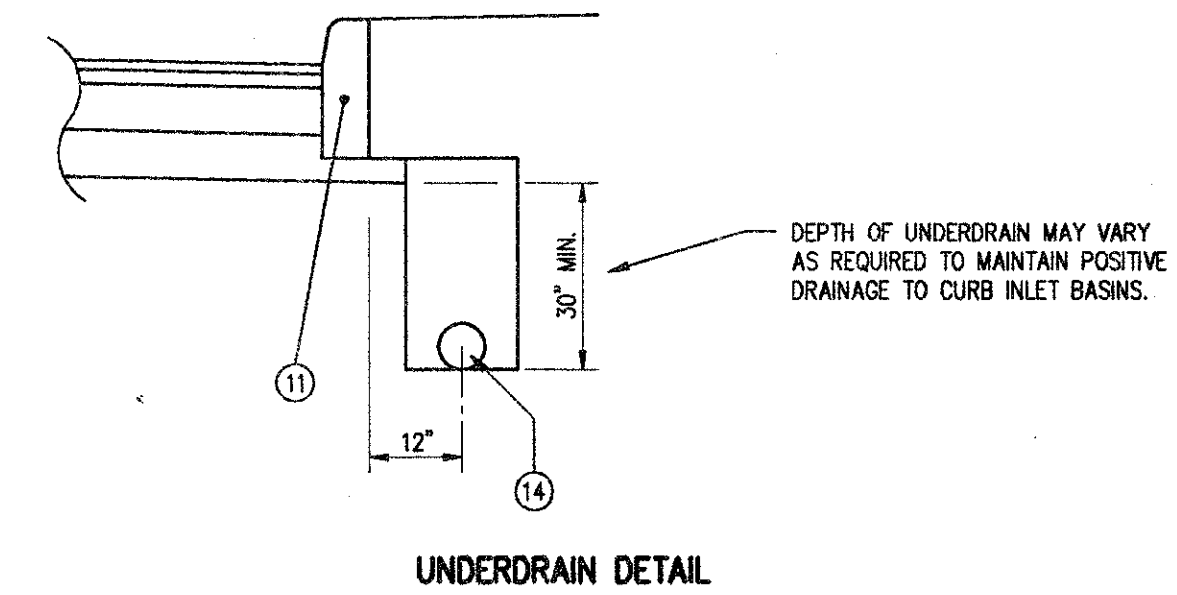


NOTE: TYPICAL SECTIONS ARE INTENDED TO SHOW GENERAL ROADWAY AND PAVEMENT FEATURES ONLY. FOR FURTHER DETAILS SEE PLAN AND PROFILES, PAVEMENT DETAILS AND CROSS-SECTIONS.



**MUNSON ROAD TYPICAL SECTION**  
STA. 7+50.0 TO STA. 8+30.4 = 80.4 L.F.

- LEGEND**
- ① ITEM 404 - 1-1/4" ASPHALT CONCRETE
  - ② ITEM 402 - 1-3/4" ASPHALT CONCRETE
  - ③ ITEM 301 - 6" BITUMINOUS AGGREGATE BASE
  - ④ ITEM 304 - 6" AGGREGATE BASE
  - ⑤ ITEM 203 - SUBGRADE COMPACTION
  - ⑥ ITEM 407 - TACK COAT (0.10 Gal./S.Y.)
  - ⑦ ITEM 203 - EXCAVATION, NOT INCLUDING EMBANKMENT CONSTRUCTION
  - ⑧ ITEM 203 - EMBANKMENT
  - ⑨ ITEM SPEC - RESTORATION (SEEDING & MULCHING)
  - ⑩ ITEM 608 - 4" CONCRETE WALK
  - ⑪ ITEM 609 - CONCRETE CURB, TYPE 6
  - ⑫ ITEM 202 - CURB REMOVED
  - ⑬ ITEM SPEC - BIKEPATH INSTALLATION, TYPE A
  - ⑭ ITEM 605 - 6" UNDERDRAIN (See Detail, This Sheet)
  - Ⓐ EXISTING ASPHALT PAVEMENT (6"± AVG. THICKNESS)



**MUNSON ROAD TYPICAL SECTION**  
STA. 8+30.4 TO STA. 9+15.5 = 85.1 L.F.

- ① ITEM 404 - 1" ASPHALT CONCRETE
  - ② ITEM 402 - 2" ASPHALT CONCRETE
  - ③ ITEM 608 - PRIME COAT (0.40 Gal./S.Y.)
  - ④ ITEM 304 - 6" AGGREGATE BASE
  - ⑤ ITEM 203 - SUBGRADE COMPACTION
- INCLUDED AS PART OF ⑬

**CENTER STREET (STATE ROUTE 615)**  
**ROADWAY IMPROVEMENTS**  
**TYPICAL SECTIONS**

**CT Consultants, Inc.**  
 Engineers • Architects • Planners  
 Willoughby • Mentor • Columbus • North Canton • Youngstown

DATE:	MARCH 1998
DRAWN BY:	J.J.C.
CHECKED BY:	C.C.H.
APPROVED BY:	
SCALE:	HOR. 1/4" = 1'-0"
	VERT. 1/4" = 1'-0"
CONTRACT NO.	98387
SHEET NO.	10
OF	103

COPYRIGHT - DATE: 07-25-98 08:50. CT CONSULTANTS INC. H:\1998\98387\SSA\98387SDWG.PLOT:1-48