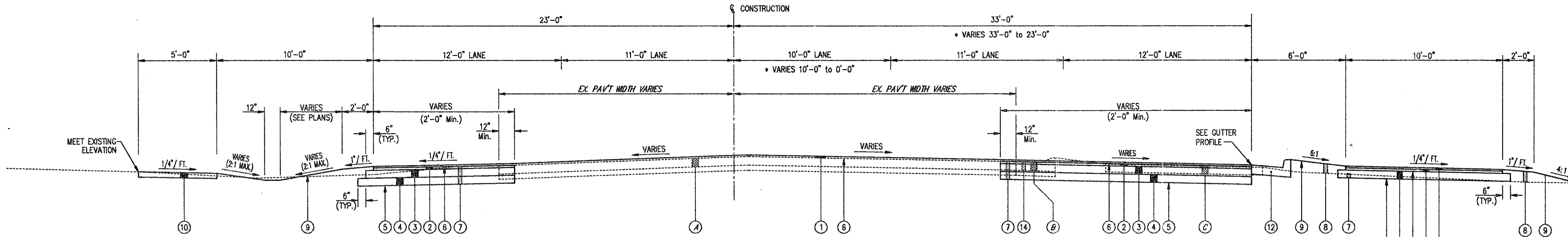
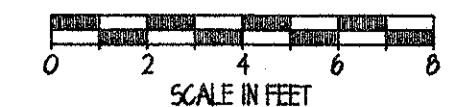


NOTE: TYPICAL SECTIONS ARE INTENDED TO SHOW GENERAL ROADWAY AND PAVEMENT FEATURES ONLY. FOR FURTHER DETAILS SEE PLAN AND PROFILES, PAVEMENT DETAILS AND CROSS-SECTIONS.

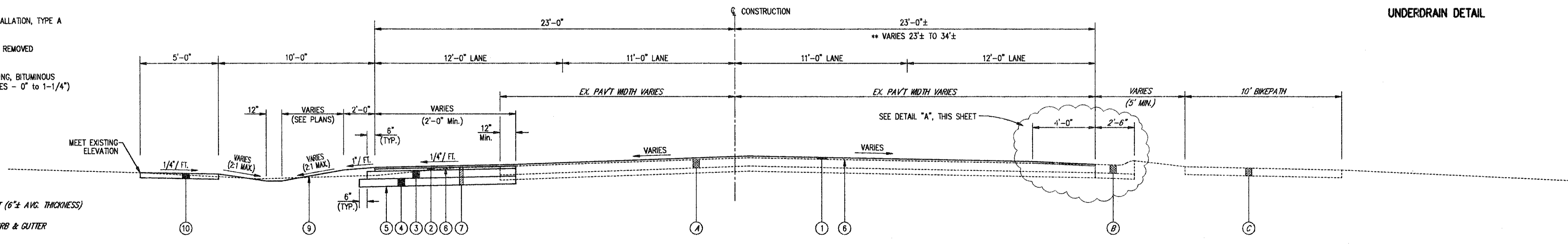
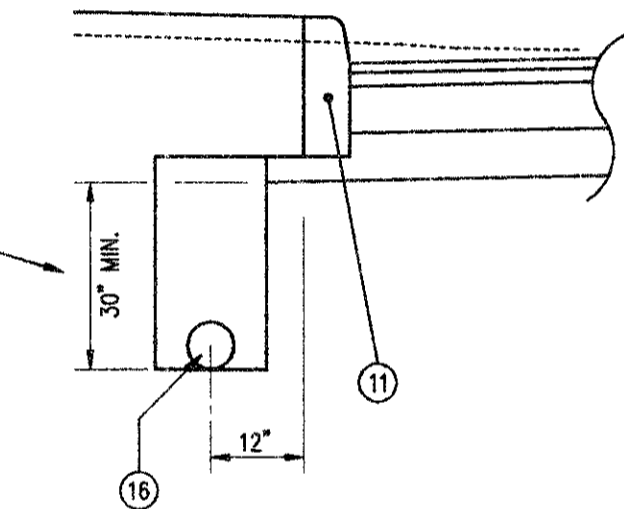


CENTER STREET TYPICAL SECTION
 STA. 210+00.0 TO STA. 213+50.0 = 350.0 L.F.
 * STA. 213+50.0 TO STA. 215+60.0 = 210.0 L.F.
 560.0 L.F.

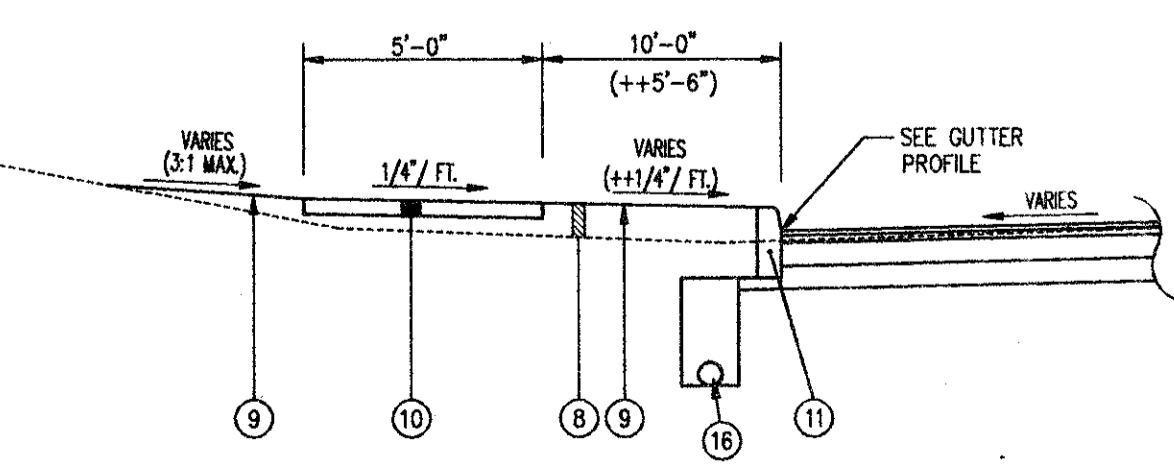
- ITEM 404 - 1" ASPHALT CONCRETE
 - ITEM 402 - 2" ASPHALT CONCRETE
 - ITEM 608 - PRIME COAT (80.40 Gal./S.Y.)
 - ITEM 304 - 6" AGGREGATE BASE
 - ITEM 203 - SUBGRADE COMPACTION
- INCLUDED AS PART OF 13

- LEGEND**
- 1 ITEM 404 - 1-1/4" ASPHALT CONCRETE
 - 2 ITEM 402 - 1-3/4" ASPHALT CONCRETE
 - 3 ITEM 301 - 6" BITUMINOUS AGGREGATE BASE
 - 4 ITEM 304 - 6" AGGREGATE BASE
 - 5 ITEM 203 - SUBGRADE COMPACTION
 - 6 ITEM 407 - TACK COAT (0.10 Gal./S.Y.)
 - 7 ITEM 203 - EXCAVATION, NOT INCLUDING EMBANKMENT CONSTRUCTION
 - 8 ITEM 203 - EMBANKMENT
 - 9 ITEM SPEC - RESTORATION (SEEDING & MULCHING)
 - 10 ITEM 608 - 4" CONCRETE WALK
 - 11 ITEM 609 - CONCRETE CURB, TYPE 6
 - 12 ITEM 609 - COMBINATION CURB & GUTTER, TYPE 2
 - 13 ITEM SPEC. - BIKEPATH INSTALLATION, TYPE A
 - 14 ITEM 202 - CURB & GUTTER REMOVED
 - 15 ITEM 254 - PAVEMENT PLANING, BITUMINOUS (THICKNESS VARIES - 0" TO 1-1/4")
 - 16 ITEM 605 - 6" UNDERDRAIN (See Detail, This Sheet)
- A EXISTING ASPHALT PAVEMENT (6"± AVG. THICKNESS)
 - B EXISTING CONCRETE ROLL CURB & GUTTER
 - C EXISTING ASPHALT BIKEPATH

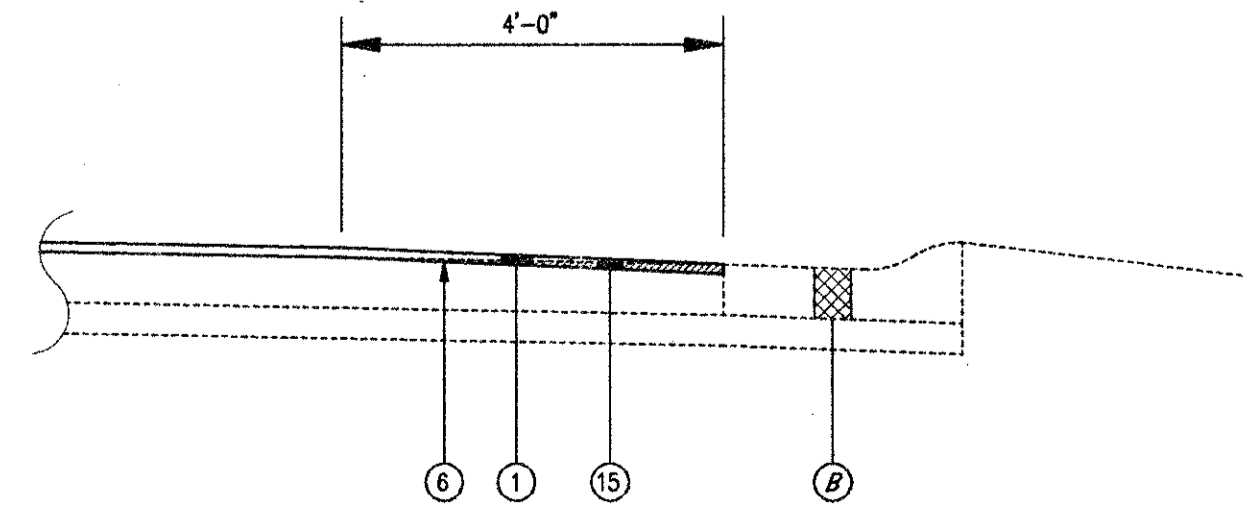
DEPTH OF UNDERDRAIN MAY VARY AS REQUIRED TO MAINTAIN POSITIVE DRAINAGE TO CURB INLET BASINS.



CENTER STREET TYPICAL SECTION
 STA. 215+60.0 TO STA. 224+50.0 = 890.0 L.F.
 ** STA. 224+50.0 TO STA. 227+65.0 = 315.0 L.F.
 1205.0 L.F.



STA. 222+86± TO STA. 223+50±, LEFT
 ++ STA. 223+50± TO STA. 227+65.0, LEFT



DETAIL "A"

SUBMISSIONS / REVISIONS

CENTER STREET (STATE ROUTE 615)
 ROADWAY IMPROVEMENTS
 TYPICAL SECTIONS

CT Consultants, Inc.
 Engineers • Architects • Planners
 Willoughby • Mentor • Columbus • North Canton • Youngstown

DATE: MARCH, 1999
 DRAWN BY: J.J.C.
 CHECKED BY: C.C.H.
 APPROVED BY:
 SCALE:
 HOR. 1/4" = 1'-0"
 VERT. 1/4" = 1'-0"
 CONTRACT NO.
98387
 SHEET NO. OF
7 103

COPYRIGHT - DATE 03-05-99 03:55:01 CT CONSULTANTS, INC. IN: \V\98387\98387\98387.DWG, PLOT: 1-48