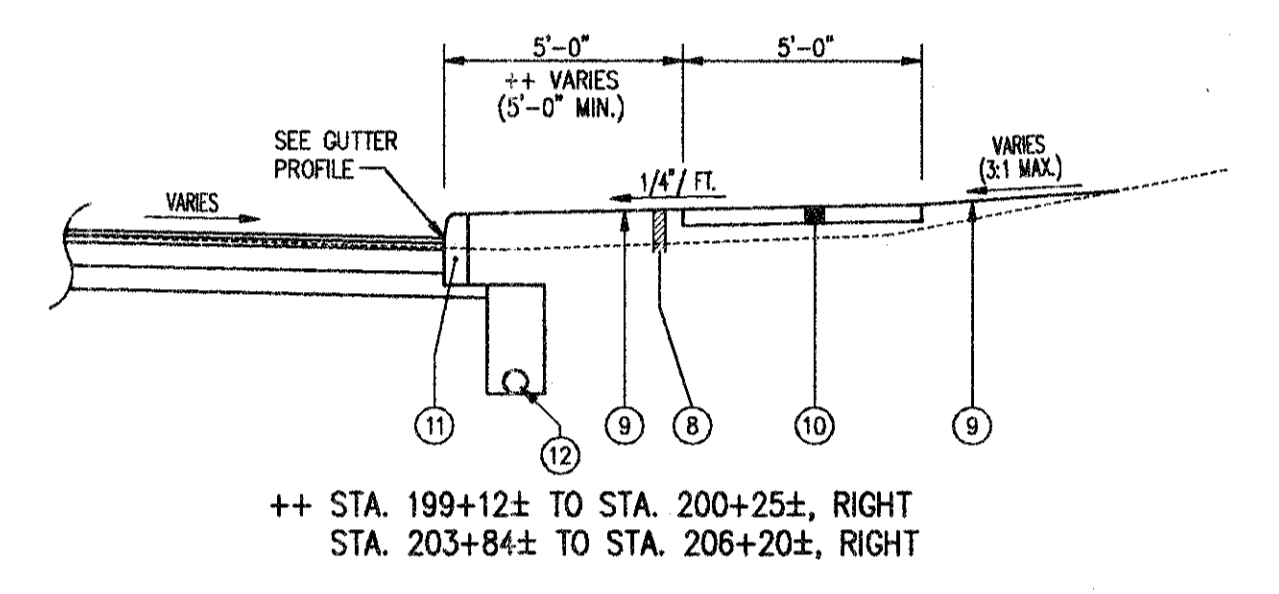
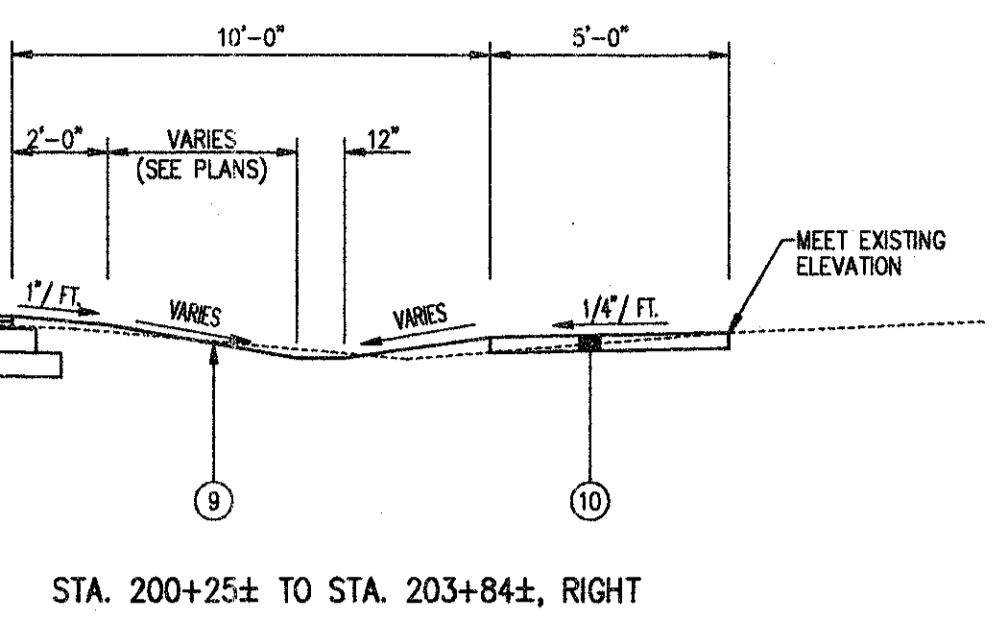
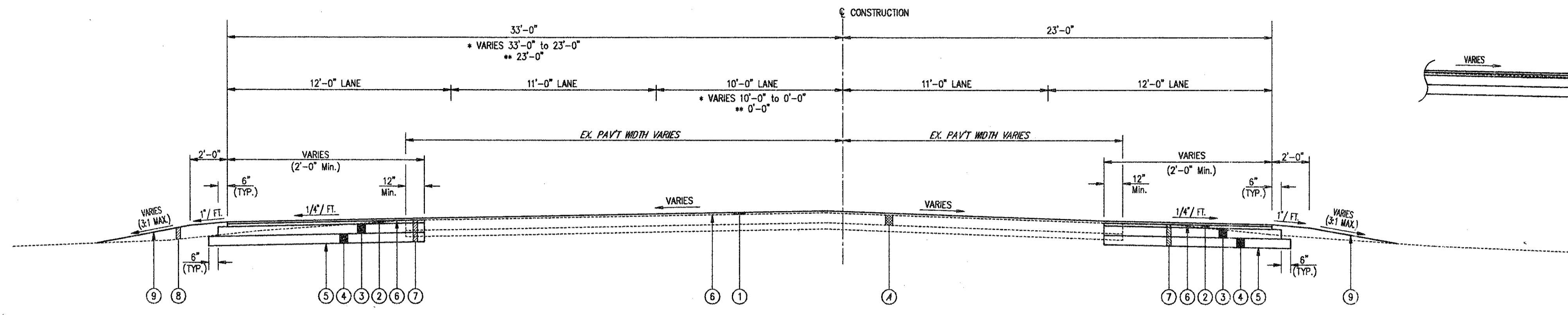
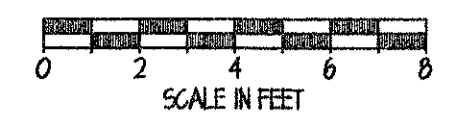
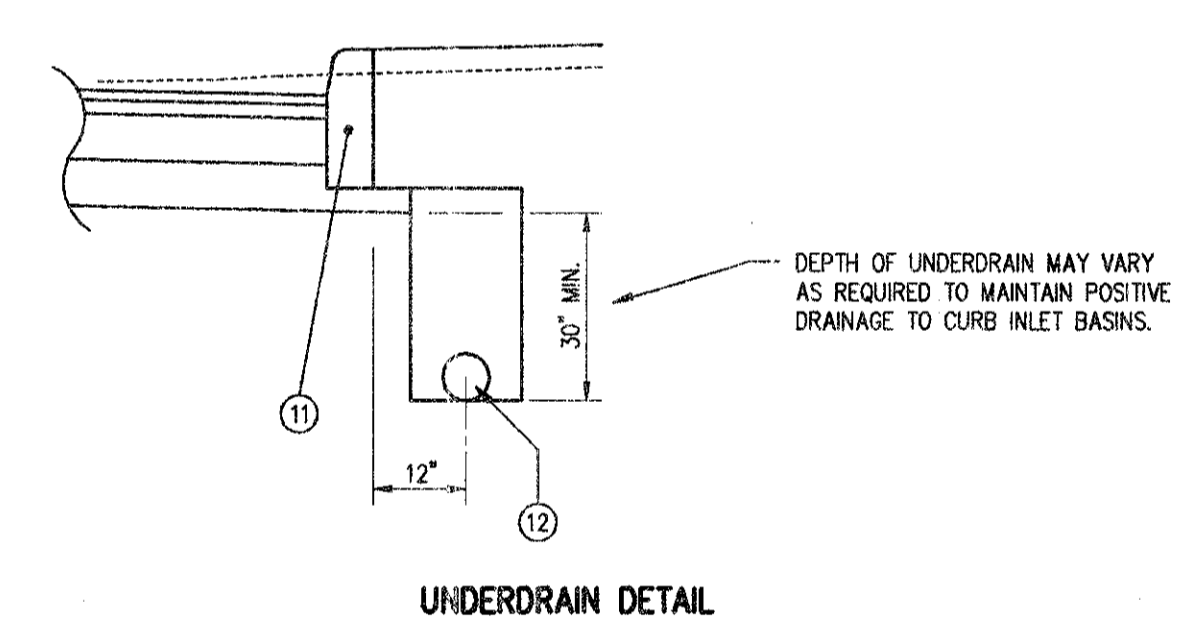


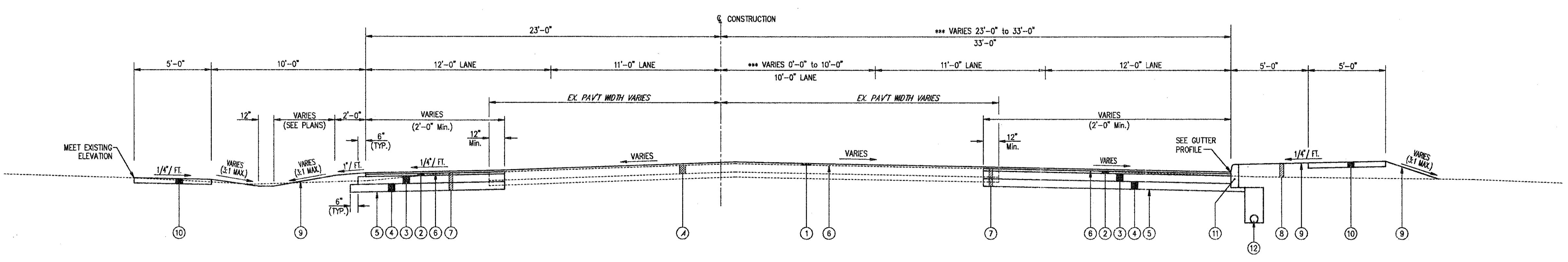
NOTE: TYPICAL SECTIONS ARE INTENDED TO SHOW GENERAL ROADWAY AND PAVEMENT FEATURES ONLY. FOR FURTHER DETAILS SEE PLAN AND PROFILES, PAVEMENT DETAILS AND CROSS-SECTIONS.



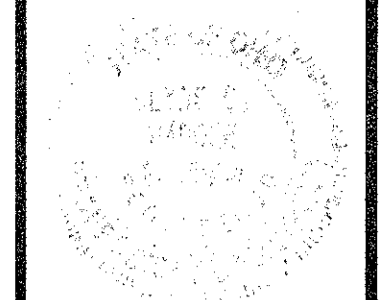
**CENTER STREET TYPICAL SECTION**  
 STA. 192+69.8 TO STA. 201+50.0 = 880.2 L.F.  
 \* STA. 201+50.0 TO STA. 203+55.0 = 205.0 L.F.  
 \*\* STA. 203+55.0 TO STA. 206+20.0 = 265.0 L.F.  
 1350.2 L.F.



- LEGEND**
- ① ITEM 404 - 1-1/4" ASPHALT CONCRETE
  - ② ITEM 402 - 1-3/4" ASPHALT CONCRETE
  - ③ ITEM 301 - 6" BITUMINOUS AGGREGATE BASE
  - ④ ITEM 304 - 6" AGGREGATE BASE
  - ⑤ ITEM 203 - SUBGRADE COMPACTION
  - ⑥ ITEM 407 - TACK COAT (0.10 Gals./S.Y.)
  - ⑦ ITEM 203 - EXCAVATION, NOT INCLUDING EMBANKMENT CONSTRUCTION
  - ⑧ ITEM 203 - EMBANKMENT
  - ⑨ ITEM SPEC - RESTORATION (SEEDING & MULCHING)
  - ⑩ ITEM 608 - 4" CONCRETE WALK
  - ⑪ ITEM 609 - CONCRETE CURB, TYPE 6
  - ⑫ ITEM 605 - 6" UNDERDRAIN (See Detail, This Sheet)
  - Ⓐ EXISTING ASPHALT PAVEMENT (6"± AVG. THICKNESS)



**CENTER STREET TYPICAL SECTION**  
 \*\*\* STA. 206+20.0 TO STA. 208+25.0 = 205.0 L.F.  
 STA. 208+25.0 TO STA. 210+00.0 = 175.0 L.F.  
 380.0 L.F.



NO.	DATE	DESCRIPTION

**CENTER STREET (STATE ROUTE 615)  
 ROADWAY IMPROVEMENTS  
 TYPICAL SECTIONS**

**CT Consultants, Inc.**  
 Engineers • Architects • Planners  
 Willoughby • Mentor • Columbus • North Canton • Youngstown

DATE:	MARCH, 1999
DRAWN BY:	J.J.C.
CHECKED BY:	C.C.H.
APPROVED BY:	
SCALE:	
HOR.:	1/4" = 1'-0"
VERT.:	1/4" = 1'-0"
CONTRACT NO.:	
	<b>98387</b>
SHEET NO.:	OF
<b>6</b>	<b>103</b>

COPYRIGHT - DATE: 03-05-99 07:56 CT CONSULTANTS INC. H:\PROJECTS\STATE ROUTE 615\DRAWING PLOT11-48