

CENTER LINE PLAT

STATE ROUTE 615 SECTION 3.26 LAKE COUNTY, OHIO

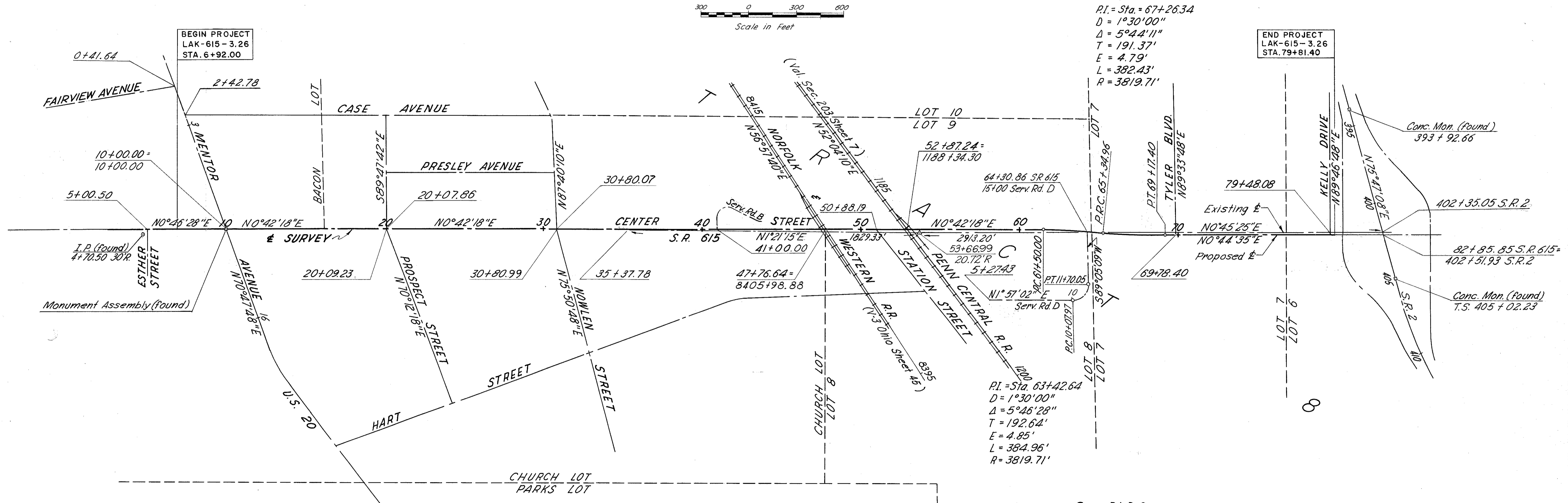
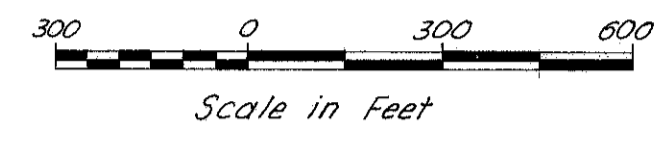
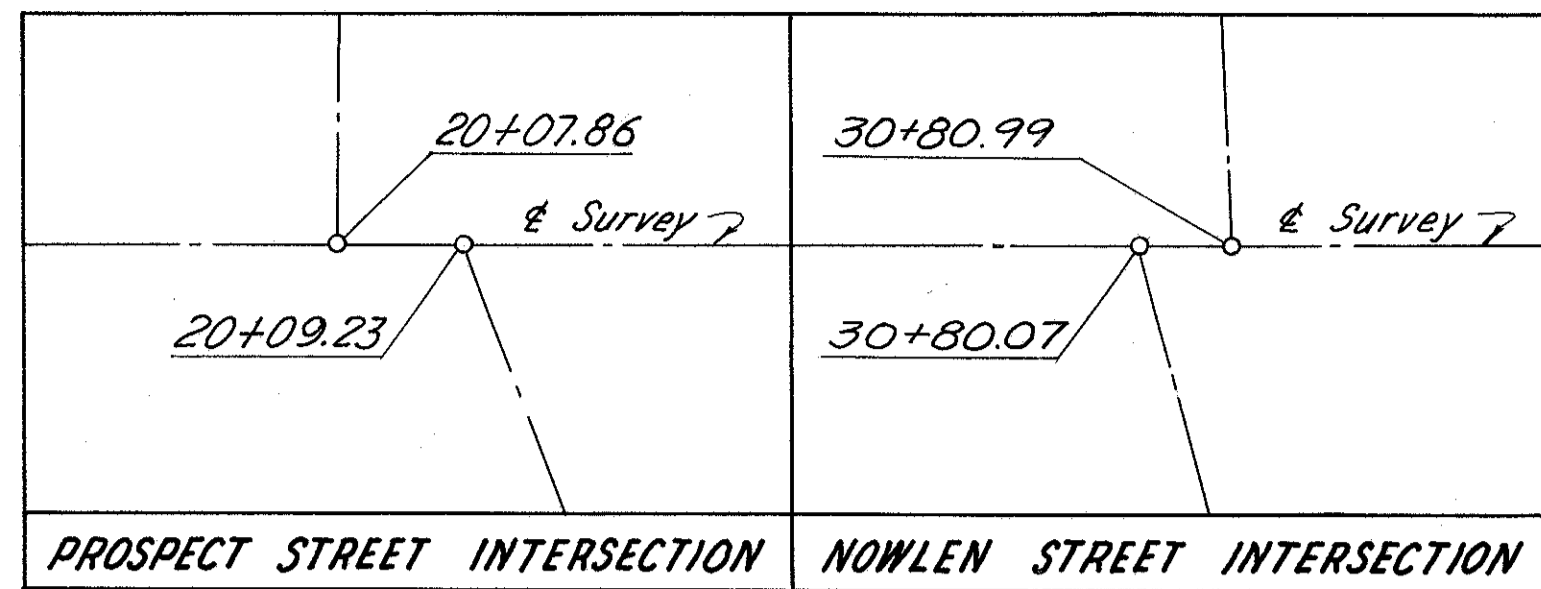
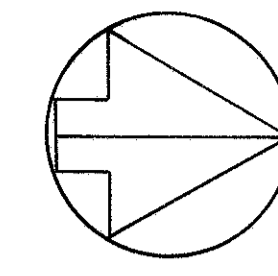
CITY OF MENTOR
RANGE 9 WEST, TOWNSHIP 10 NORTH
CONNECTICUT WESTERN RESERVE

FED. RD. DIVISION	STATE	PROJECT
2	OHIO	US-1530 (I)

LAKE COUNTY
LAK-615-3.26

154
181

1
28

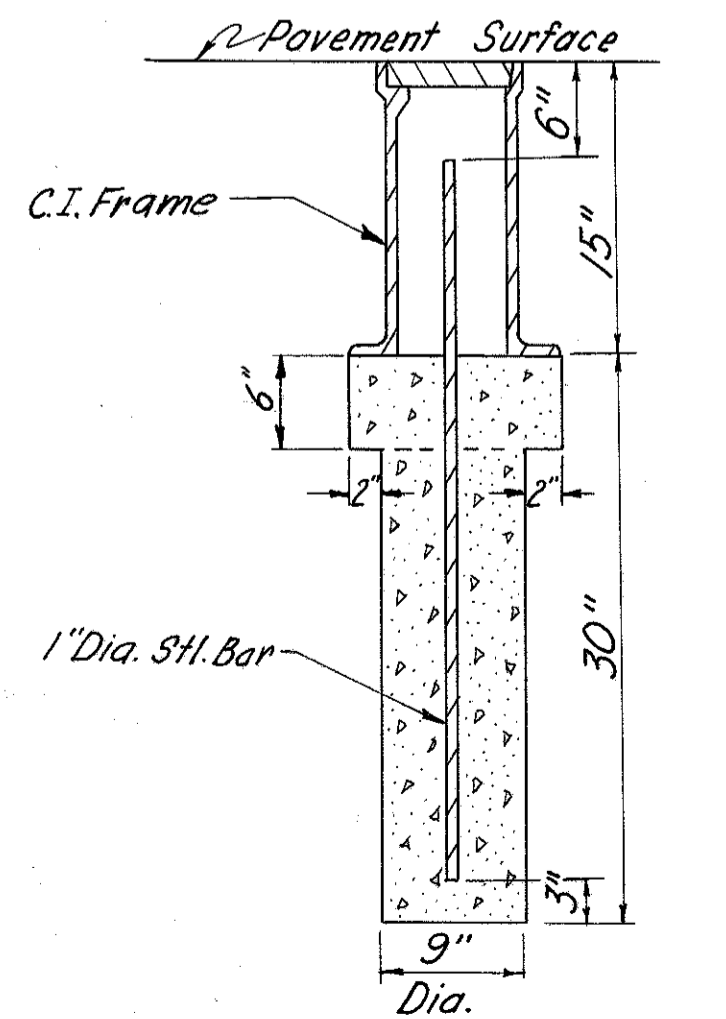


PI. = Sta. = 67+26.34
D = 1°30'00"
Δ = 5°44'11"
T = 191.37'
E = 4.79'
L = 382.43'
R = 3819.71'

PI. = Sta. 63+42.64
D = 1°30'00"
Δ = 5°46'28"
T = 192.64'
E = 4.85'
L = 384.96'
R = 3819.71'

Serv. Rd. D Curve
PI. = Sta. 11+13.10
D = 57°17'45"
Δ = 92°51'53" Lt.
T = 105.13'
E = 45.09'
L = 162.08'
R = 100.00'

Date _____ Division Deputy Director _____



Monuments will be set during construction of the highway.

LOCATION OF MONUMENT ASSEMBLIES	
Sta. 10+00.00	at intersection of Mentor Avenue
Sta. 20+09.23	at intersection of Prospect Street
Sta. 30+80.99	at intersection of Nowlen Street
Sta. 35+37.78	on line at angle point in existing line
Sta. 41+00.00	at intersection of Service Road B
Sta. 54+00.00	on line
Sta. 61+50.00	at P.C.
Sta. 64+30.86	at intersection of Service Road D
Sta. 65+34.96	at P.R.C.
Sta. 69+17.40	at P.T.
Sta. 69+78.40	at intersection of Tyler Boulevard
Sta. 79+48.08	at intersection of Kelly Drive
Sta. 5+27.43	on line (Service Road D)
Sta. 10+07.97	at P.C. (Service Road D)
Sta. 11+70.05	at P.T. (Service Road D)

I HEREBY CERTIFY THAT THIS PLAT IS A TRUE DELINEATION OF A SURVEY MADE FOR THE OHIO DEPARTMENT OF HIGHWAYS IN 1967 BY BURGESS & NIPLE, LIMITED.
Ben K. Base DATE July 23, 1968

Received	19
Recorded	12-30 1968
Book	VOL "P" Page 69
County Recorder	

MONUMENT ASSEMBLY

CENTERLINE PLAT