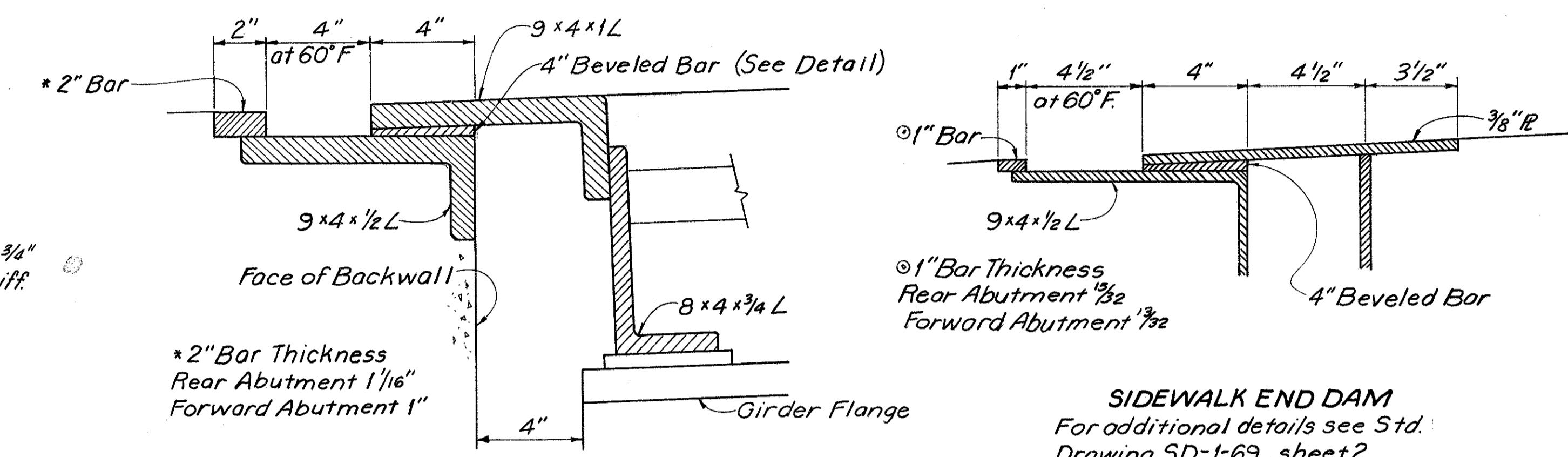
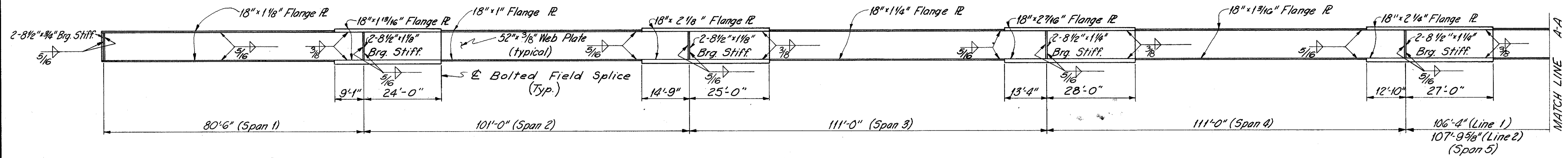


MICROFILMED  
FEB 12 1985

FED. ROAD DIV. NO.	STATE	FED. AID PROJ. NO.	TYPE FUNDS
2	OHIO		

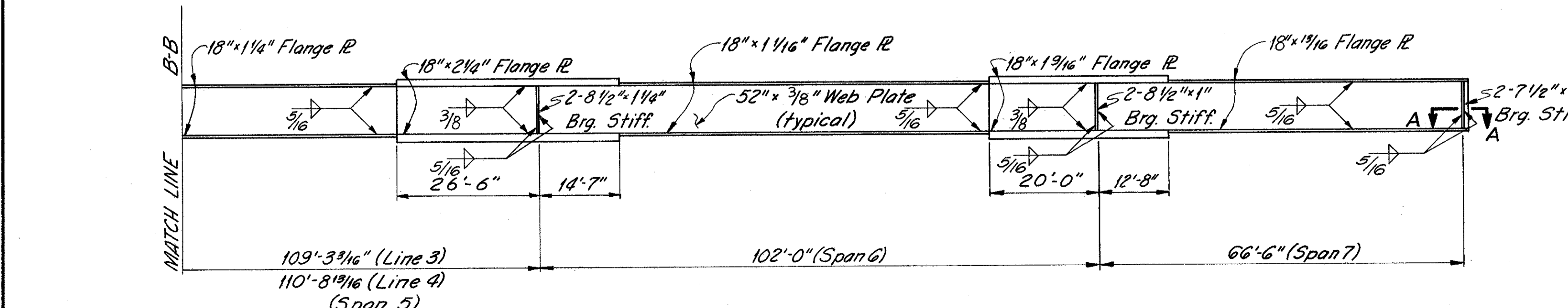
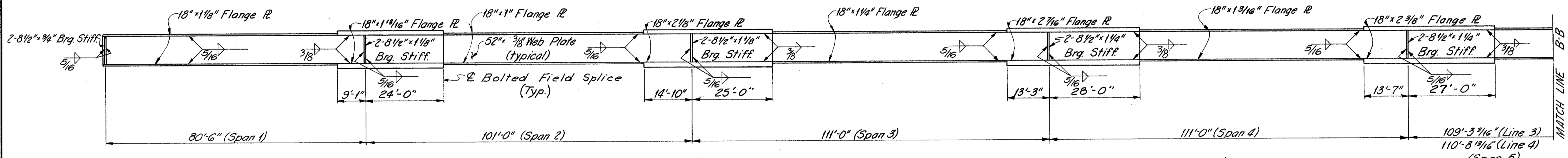
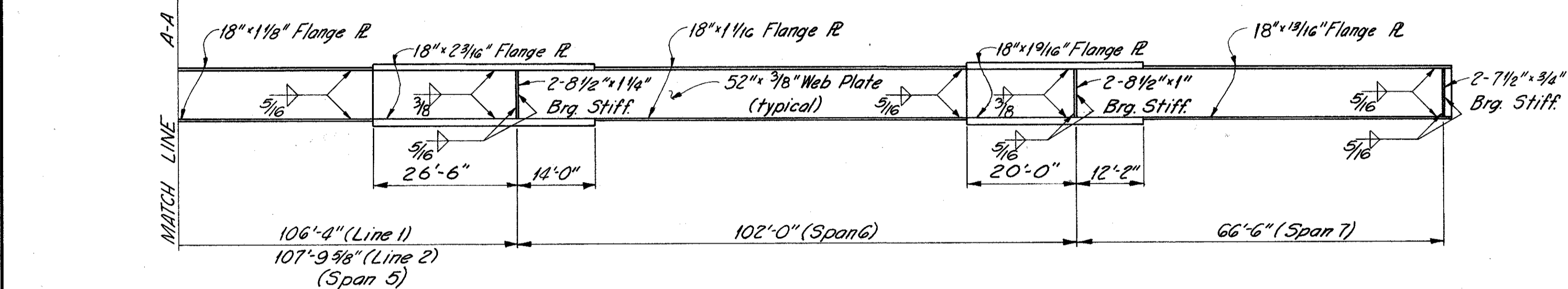
145  
181

LAKE COUNTY  
LAK-615-3.26

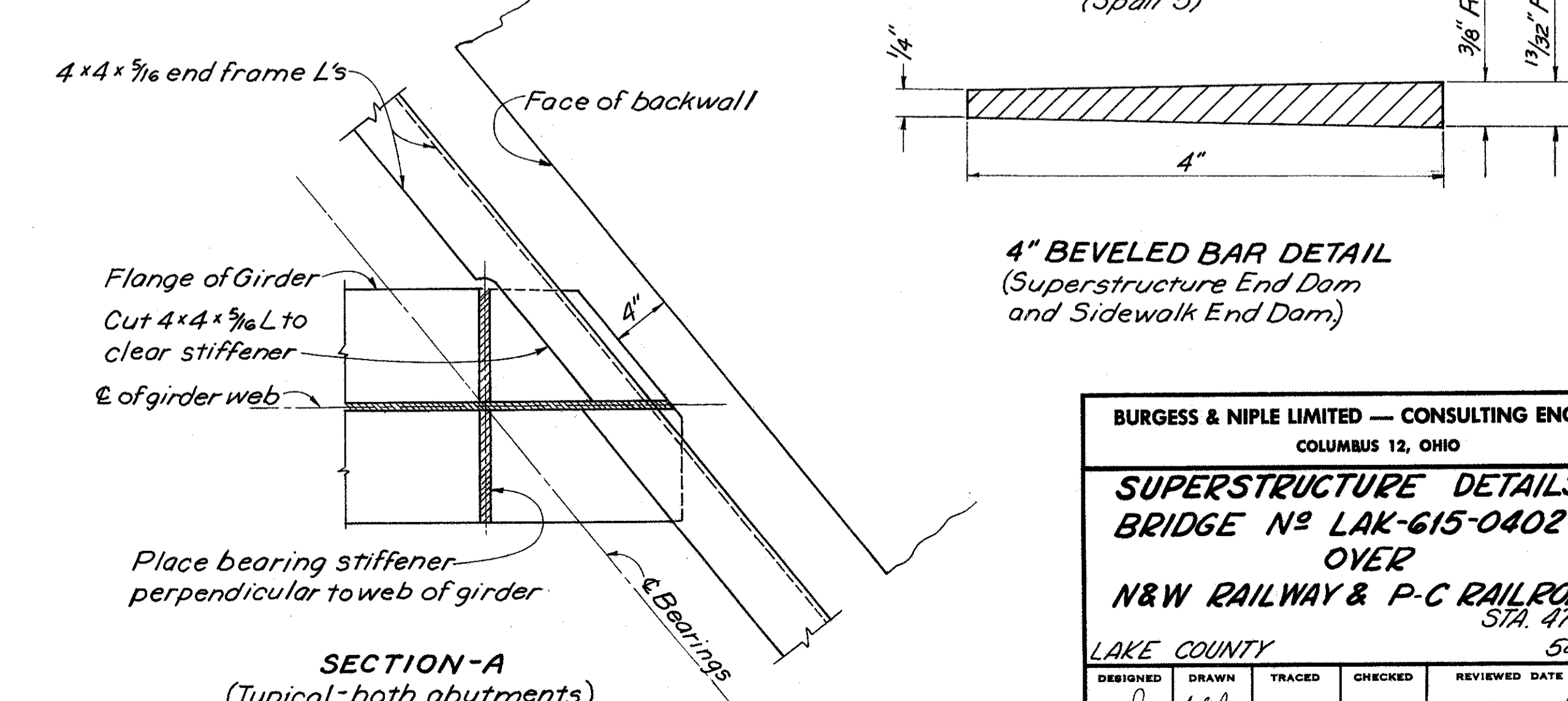


GIRDER ELEVATION LINE 1&2

**SUPERSTRUCTURE END DAM**  
For additional details see Standard Drawing SD-1-69.  
4 1/2" Parapet joint opening @ 60°F.



GIRDER ELEVATION LINE 3&4



BURGESS & NIPLE LIMITED — CONSULTING ENGINEERS  
COLUMBUS 12, OHIO 16/24

**SUPERSTRUCTURE DETAILS**  
BRIDGE N° LAK-615-0402  
OVER  
N&W RAILWAY & P-C RAILROAD  
S7A. 47+28.12  
LAKE COUNTY 54+16.22

DESIGNED	DRAWN	TRACED	CHECKED	REVIEWED DATE	REVISED
W.R.	J.S.J.		K.E.S.	W.R. 4/14/69	