

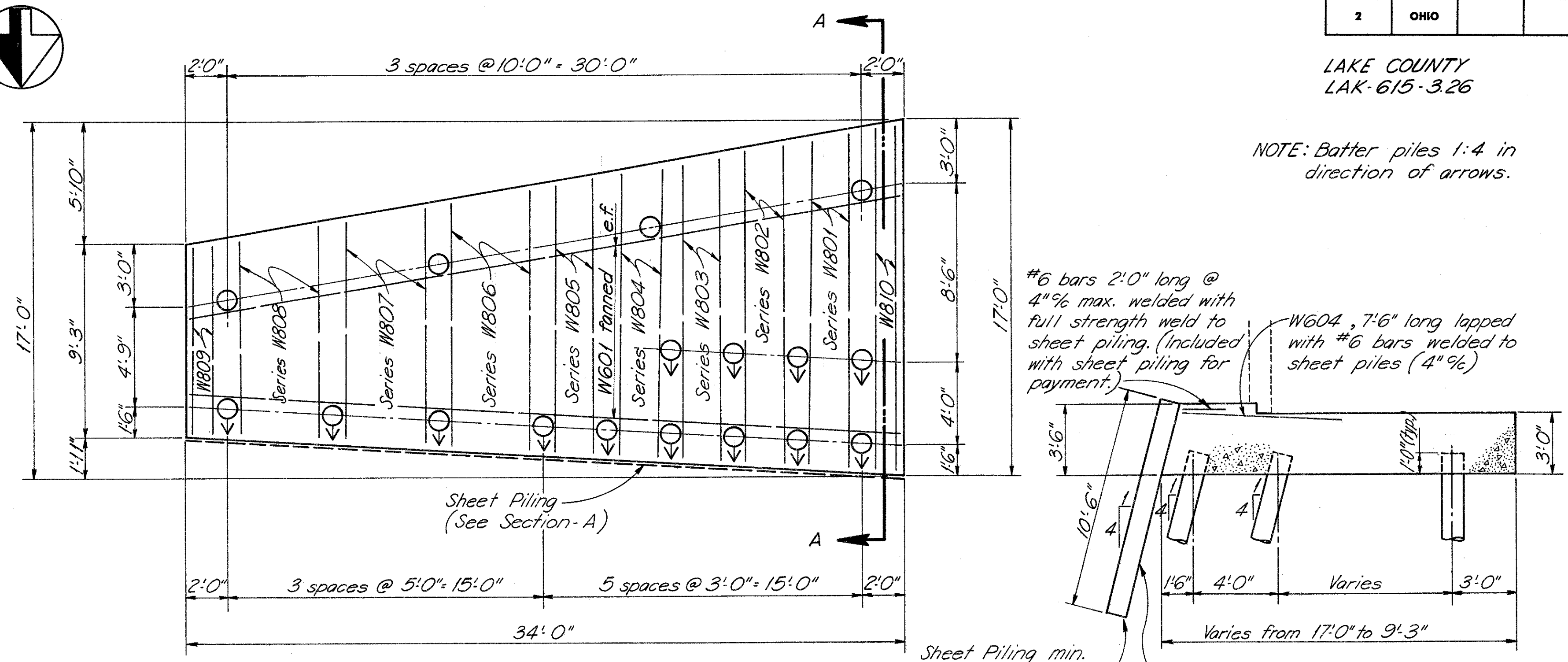
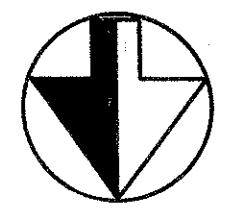
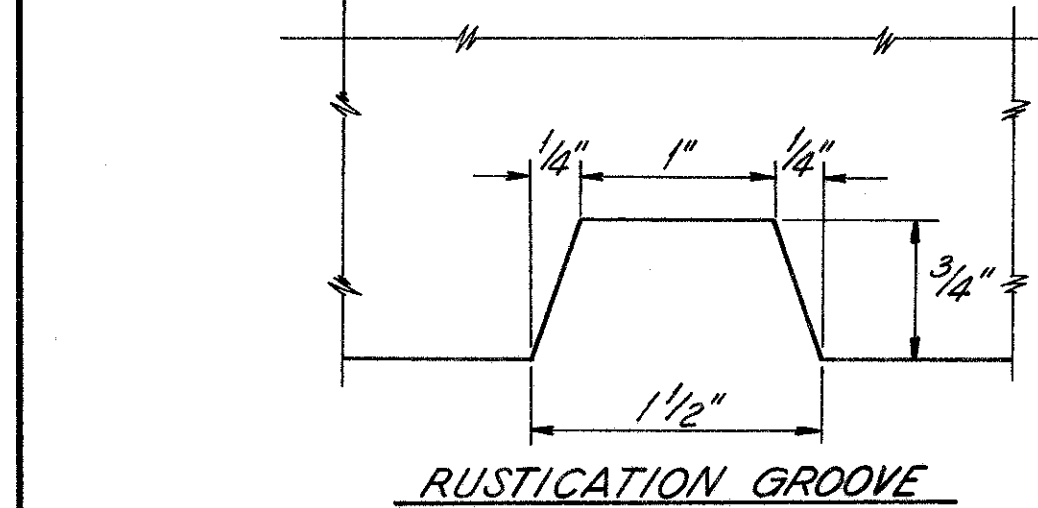
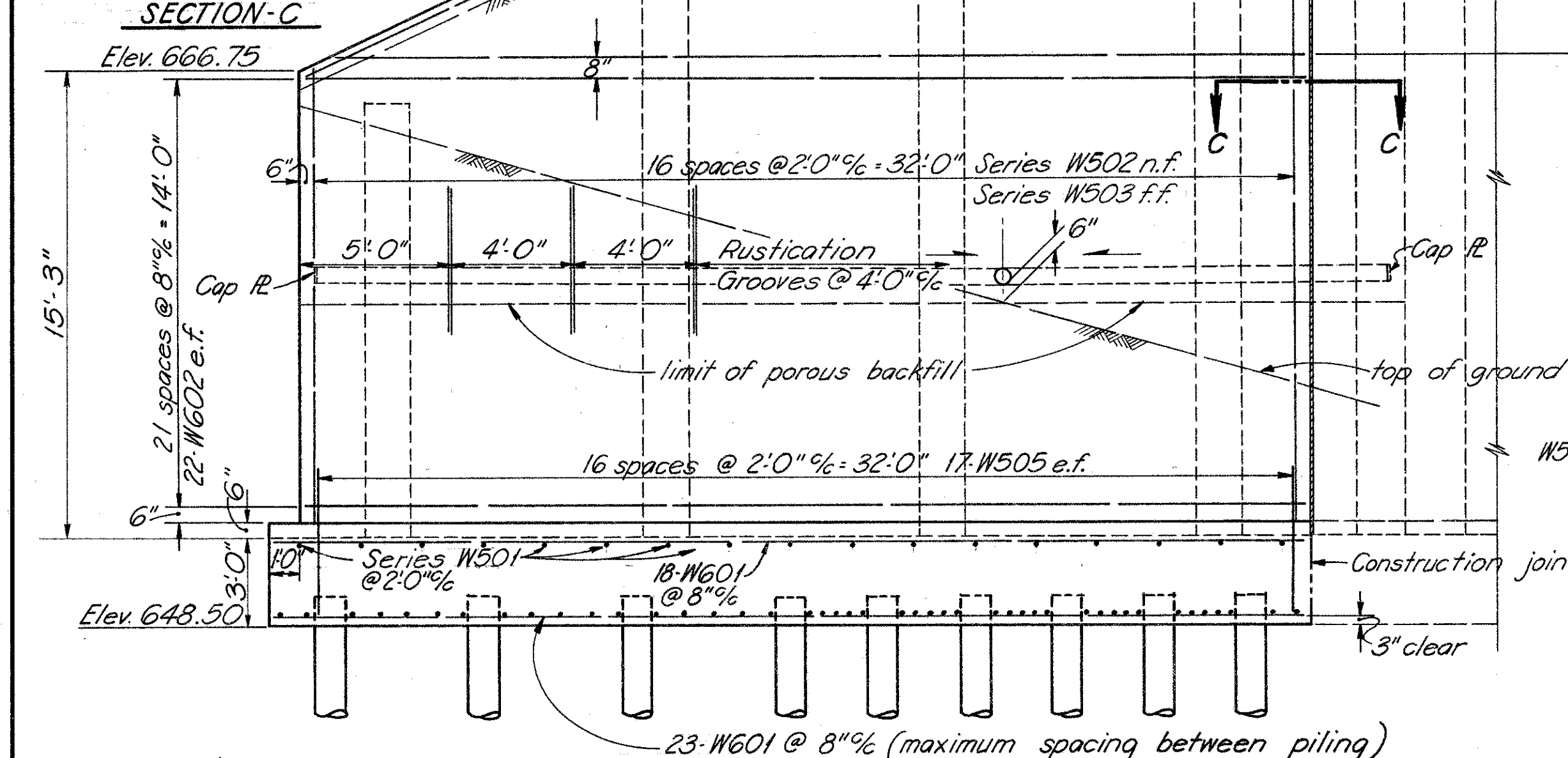
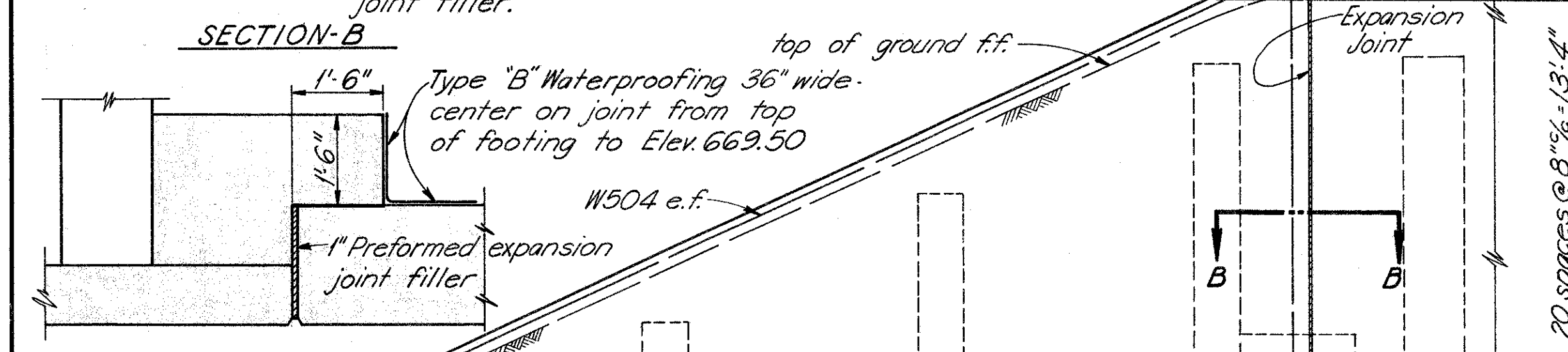
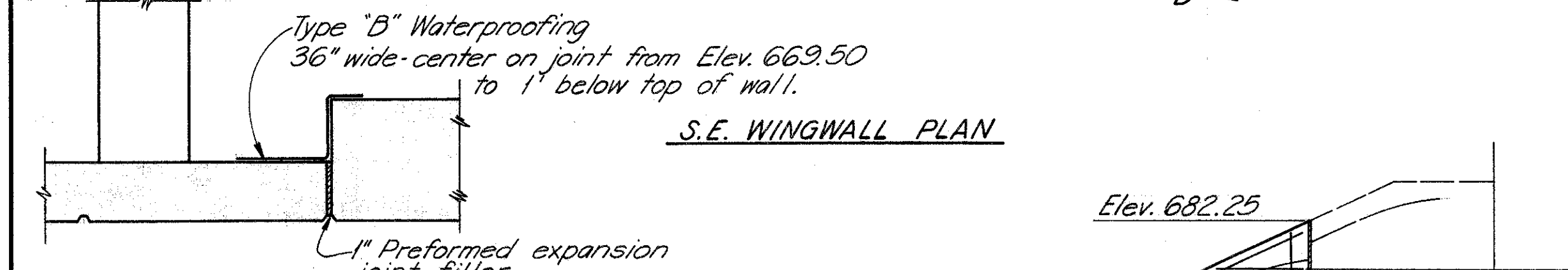
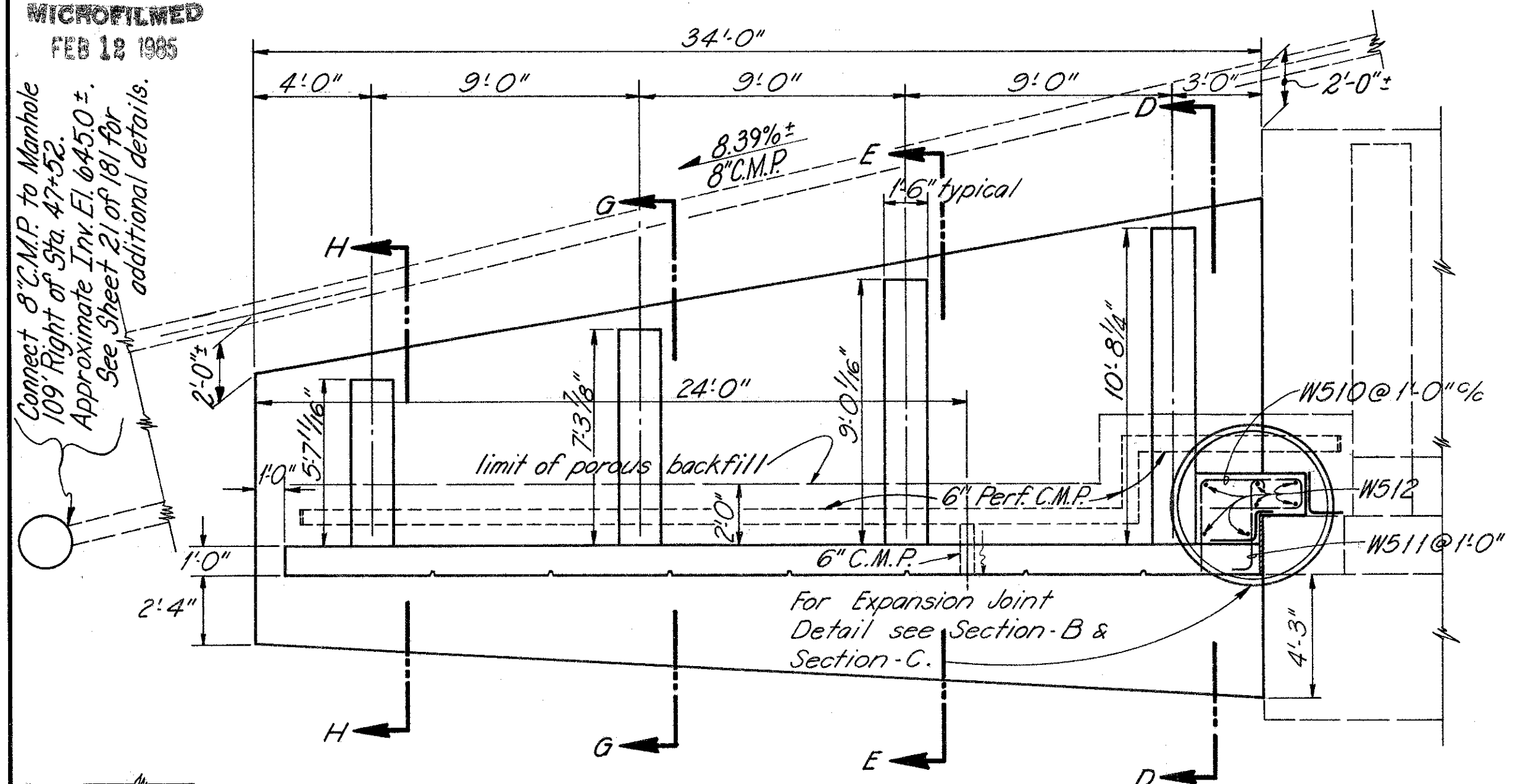
MICROFILMED
FEB 12 1985

FED. ROAD DIV. NO.	STATE	FED. AID PROJ. NO.	TYPE FUNDS
2	OHIO		

140
181

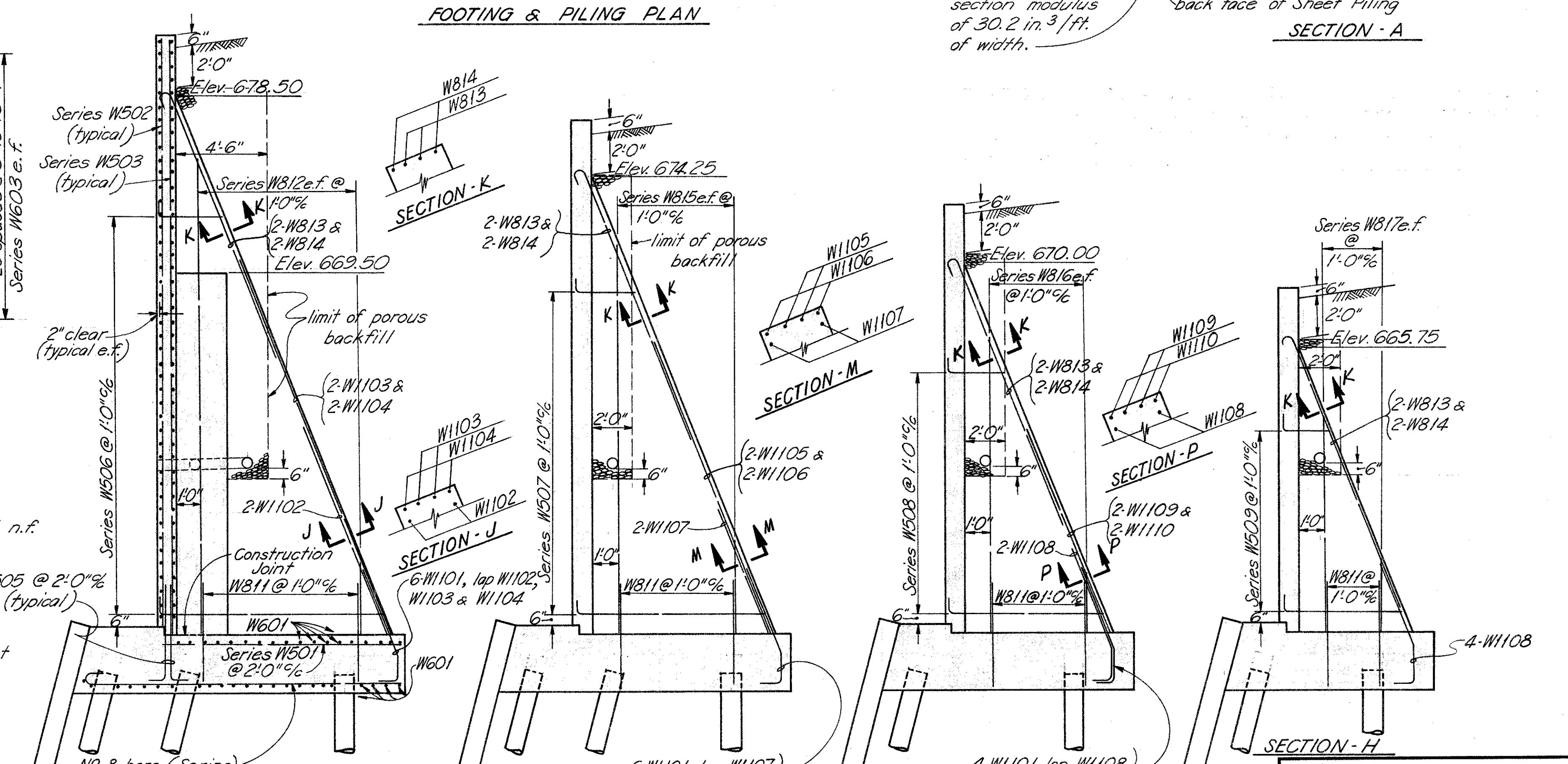
LAKE COUNTY
LAK-615-326

NOTE: Batter piles 1:4 in direction of arrows.



#6 bars 2'-0" long @ 4" max. welded with full strength weld to sheet piling. (Included with sheet piling for payment.)
W604, 7'-6" long lapped with #6 bars welded to sheet piles (4")

Sheet Piling min. section modulus of 30.2 in.³/ft. of width.



No 8 bars (Series) See "Footing & Piling Plan" for location and bar marks.

BURGESS & NIPLE LIMITED — CONSULTING ENGINEERS
COLUMBUS 12, OHIO 11/24

S.E. WINGWALL DETAILS
BRIDGE NO. LAK-615-0402
OVER
N&W RAILWAY & P-C RAILROAD

LAKE COUNTY Sta. 47+28.12
54+16.22

DESIGNED	DRAWN	TRACED	CHECKED	REVIEWED DATE	REVISED
WBR	SW		KED	WBR 4/14/69	

LEGEND
n.f. near face
f.f. far face
e.f. each face