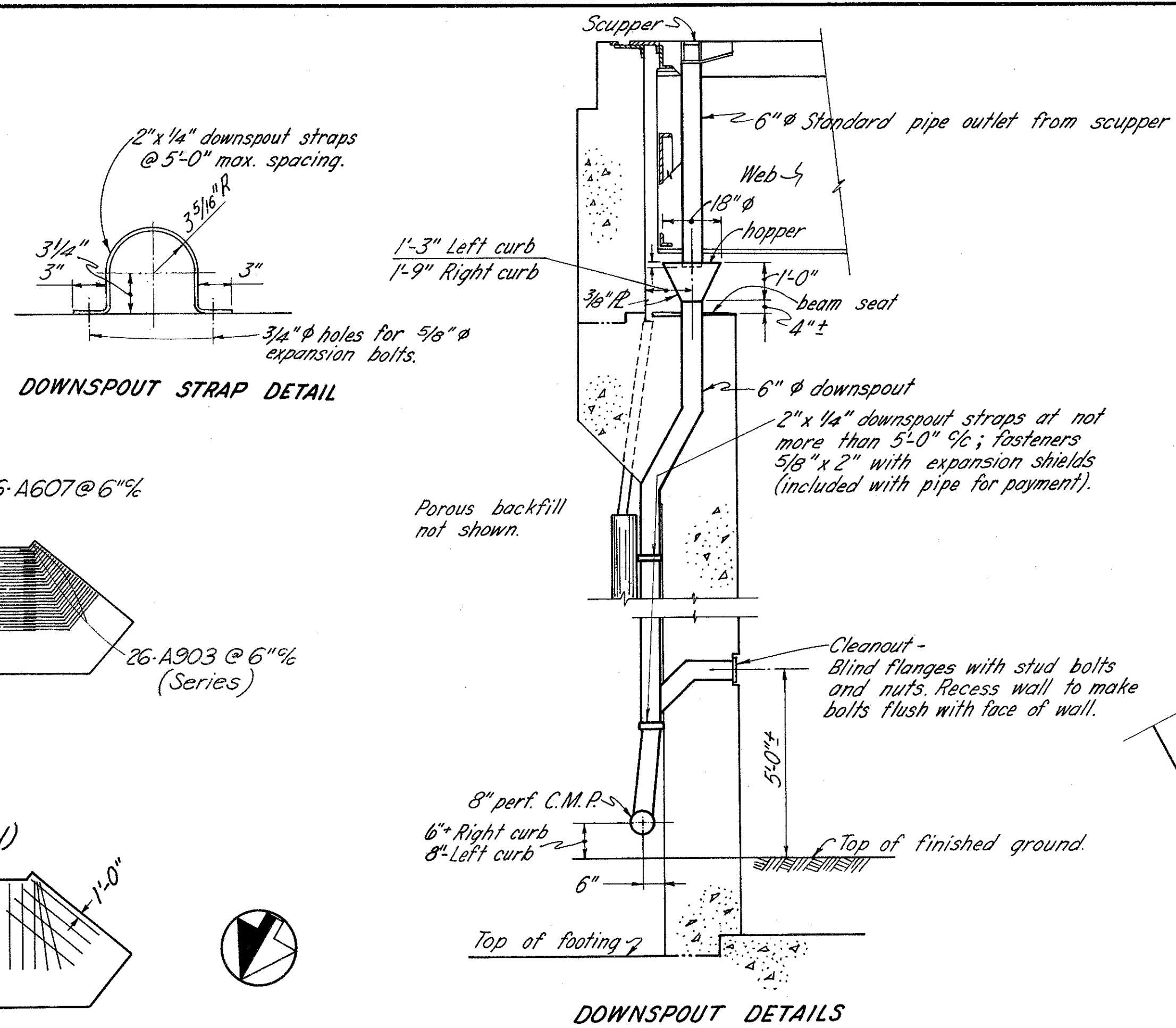


MICROFILMED
FEB 12 1985

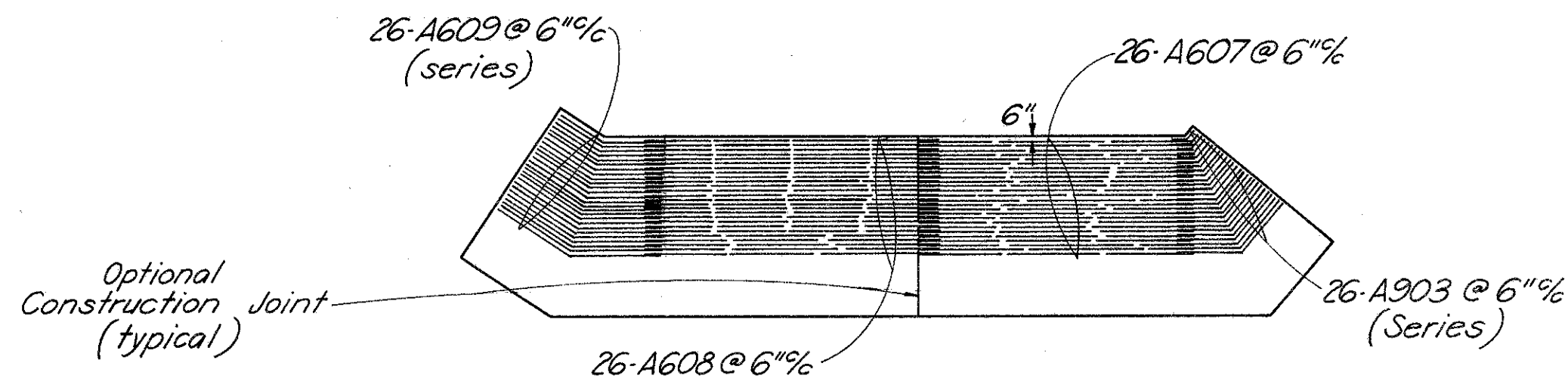
FED. ROAD DIV. NO.	STATE	FED. AID PROJ. NO.	TYPE FUNDS
2	OHIO		

139
181

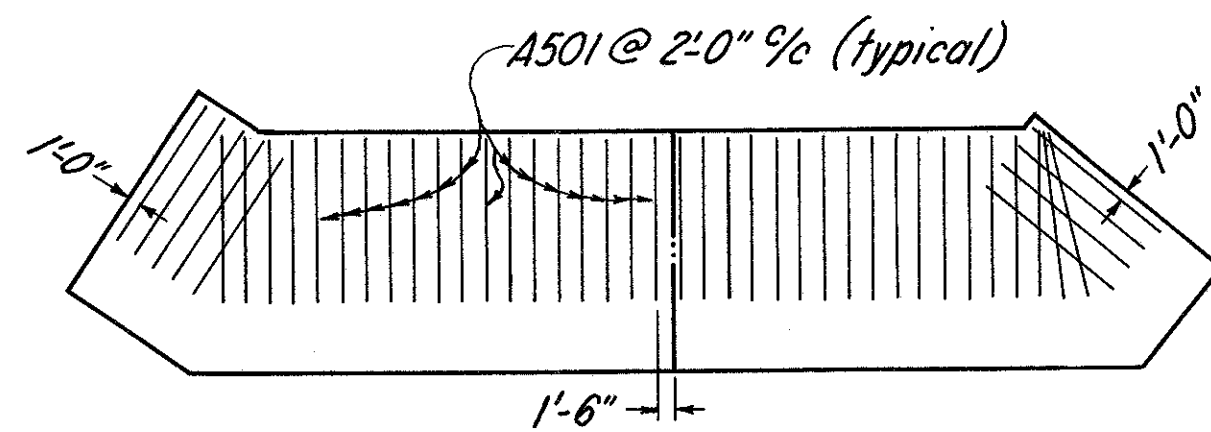
LAKE COUNTY
LAK-615-3.26



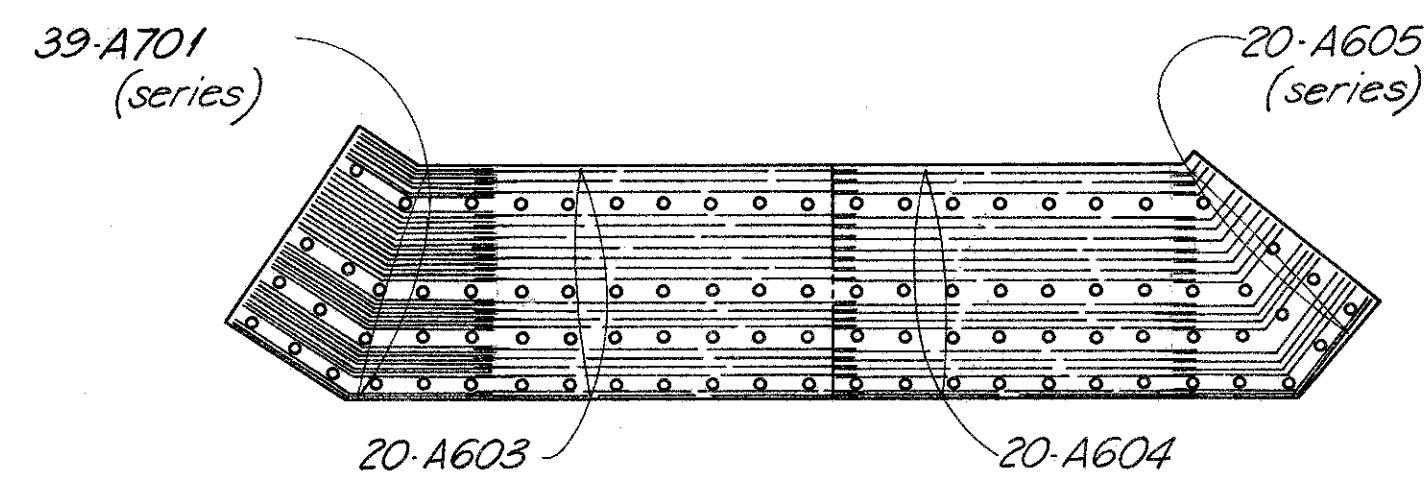
DOWNSPOUT DETAILS



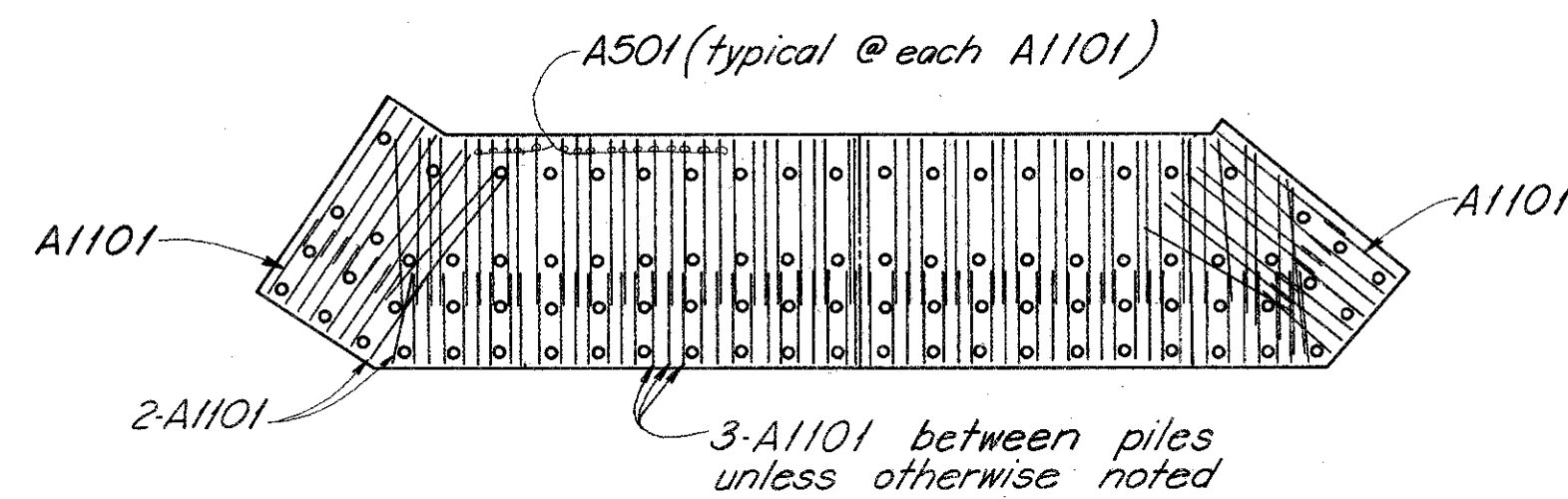
TOP OF FOOTING



TOP OF FOOTING

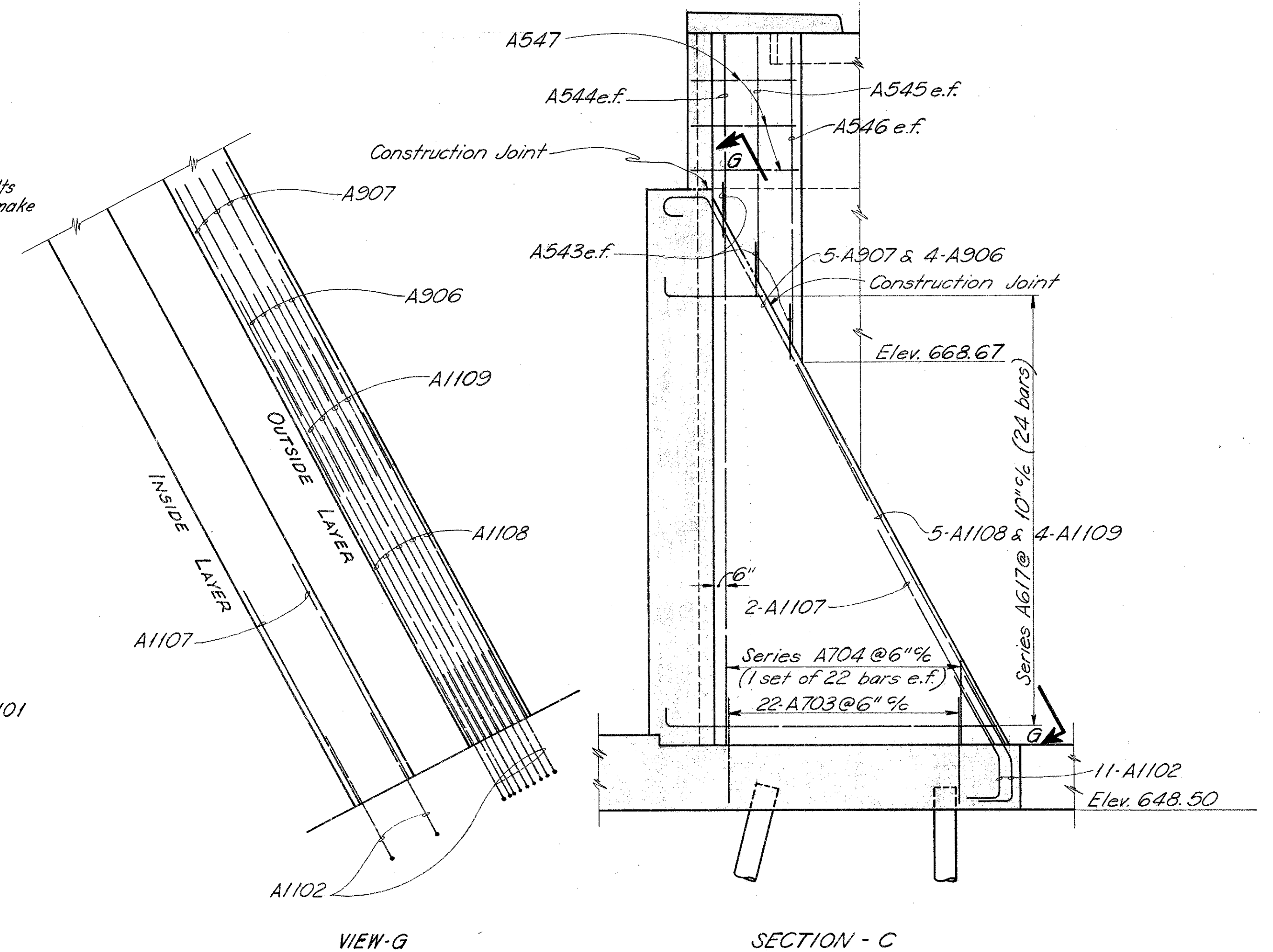


Note: Place reinforcing between piling as shown.
BOTTOM OF FOOTING



BOTTOM OF FOOTING

PLAN OF FOOTING HORIZONTAL REINFORCEMENT
REAR ABUTMENT



VIEW-G

SECTION - C

BURGESS & NIPLE LIMITED — CONSULTING ENGINEERS						
COLUMBUS 12, OHIO						10/24
REAR ABUTMENT DETAILS						
BRIDGE NO. LAK-615-0402						
OVER						
N & W RAILWAY & P-C RAILROAD						
LAKE COUNTY						STA. 47+28.12
						54+16.22
DESIGNED	DRAWN	TRACED	CHECKED	REVIEWED DATE	REVISED	
WJR	DCW		KED	WJR 4/14/69		

JEC 1 1 1970 JUN 2 6 1970